



bugaboo cameleon<sup>3</sup>  
user guide

bugaboo<sup>®</sup> cameleon<sup>3</sup>



# hello

Thank you for buying the Bugaboo® Cameleon<sup>3</sup> and welcome to the world of modern mobility.

EN

At Bugaboo®, we help parents and children to discover the world. Our aim is to create a safe and comfortable journey, to help make the world accessible while recognizing the many different ways there are to get out and go.

The Bugaboo Cameleon<sup>3</sup> is Bugaboo's all-in-one stroller. The one parents already love, with evolved performance. The versatile, multi-terrain and light & compact Bugaboo Cameleon<sup>3</sup> takes you everywhere you want to go: from infant to toddler, city or woods, winter to summer, on the beach or in the snow.

With an innovative design, premium materials, and endless accessory combinations the Bugaboo Cameleon<sup>3</sup> is made to go your way.

Register your Bugaboo Cameleon<sup>3</sup> to be certain that Bugaboo can contact you in the event of a necessary upgrade. To register please use the product registration card included in the packaging or register online at [bugaboo.com/register](http://bugaboo.com/register). The information you provide will remain private and secure as bugaboo is committed to protect your privacy.

The Bugaboo Cameleon<sup>3</sup> complies with:

- EN 1888 (2012), EN 12790 (2009) and EN 1466 (2004) and A1 (2007) and is certified by TÜV Süd to bear the TÜV and GS markings.
- ASTM F833 (latest version), ASTM F2194 (latest version) and ASTM 2050 (latest version) and is certified by the Juvenile Products Manufacturing Association (JPMA).








© Copyright 2015 010169 rv009 Bugaboo® International BV. The information contained herein is subject to change without notice. Bugaboo International BV shall not be liable for technical errors or omissions contained herein. The purchased product may differ from the product as described in this user guide. Our most recent user guides can be requested at our service departments or at [www.bugaboo.com](http://www.bugaboo.com). TM ® BUGABOO and the Bugaboo logos, FROG, GECKO, CAMELEON, BEE, DONKEY and BUFFALO are registered trademarks of Bugaboo International BV. The Bugaboo strollers are patented and design protected.

# contents









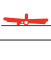








## introduction

in the boxes	6
user guide visual language	7
meet the bugaboo cameleon <sup>3</sup>	8
warnings	10
important information	12
maintenance tips	13
cleaning the fabrics	14
warranty	15
replaceable parts	18
contact	18

## setting up the bugaboo cameleon<sup>3</sup>

	assembling the chassis	20
	attaching the underseat bag	22
	assembling the carrycot	24
	assembling the seat	26
	assembling and attaching the sun canopy	28

## using the bugaboo cameleon<sup>3</sup>

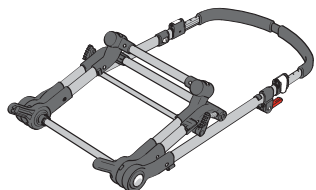
	using the brake	31
	preparing for rough terrain	32
	using the two wheel position	33
	adjusting the handlebar	35
 	using the carrycot	36
  	using the seat	38
	using the carry handle	41
	using the harness	42
	folding the carrycot	43
	folding the chassis and preparing for transportation	45
	using the wrist strap	47
	adjusting the suspension of the swivel wheels	48
	removing the wheels	49
	using the rain cover	50

EN

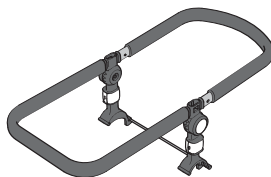
## in the boxes

Take a minute to check the contents of your packages. If something is missing, please contact your retailer.

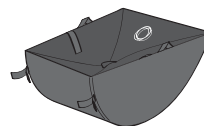
1



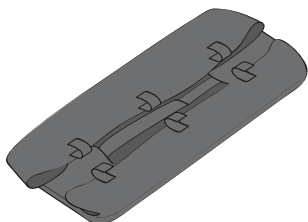
chassis



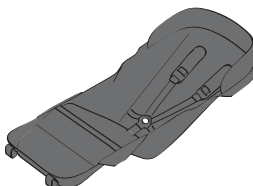
frame



underseat bag



bassinet



seat



rain cover



swivel wheels



large wheels



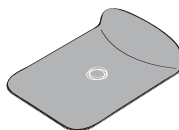
carry handle



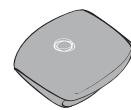
sun canopy wires  
and clamps

2

\* The apron and the sun canopy are sold separately (excl. Special Editions)



\* apron



\* sun canopy

# user guide visual language

In this user guide we make use of a visual language. Below you can find the meaning of all visuals used.

EN



visual check OK



visual check wrong



audible click



movement in the indicated direction



instructions continue on next page

**3x**

repeat action on similar part(s)



Some instructions require special attention for ensuring the safe use of the Bugaboo Cameleon<sup>3</sup>. When you see this symbol in the instructional part of the user guide, please refer to the indicated group of warnings in the "WARNINGS" chapter.

For example, if you see , please refer to the warnings under the section "II. recommended weights and height".

## meet the bugaboo cameleon<sup>3</sup>

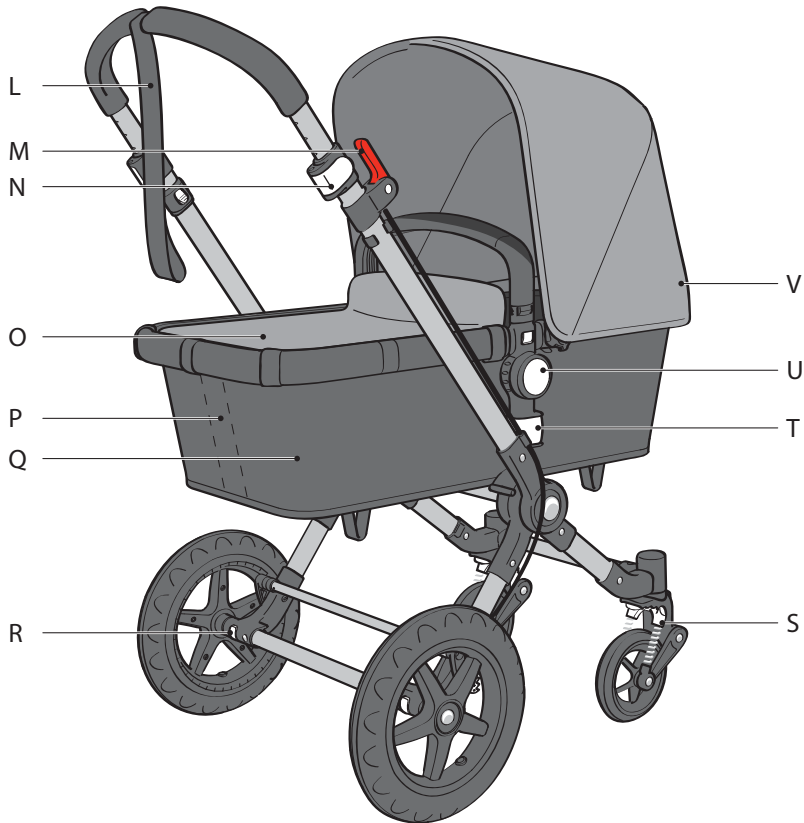
All the white parts of your Bugaboo Cameleon<sup>3</sup> are functional. They're the parts that allow you to adapt and change your Bugaboo Cameleon<sup>3</sup>.



- A. handlebar
- B. chassis
- C. carry handle release button
- D. large wheel
- E. underseat bag
- F. swivel wheel

- G. swivel wheel lock
- H. swivel wheel release button
- I. harness
- J. seat
- K. carry handle
- L. seat cap







M. wrist strap  
 N. brake  
 O. handlebar adjustment clip  
 P. apron  
 Q. carrycot wire  
 R. carrycot

S. large wheel release button  
 T. suspension  
 U. square white knob  
 V. round white knob  
 W. sun canopy



# WARNINGS

## **I. general**

1. Read these instructions carefully before use and keep them for future reference. Your child's safety may be affected if you do not follow these instructions.
2. Failure to follow these warnings and conditions could result in serious injury or death.
3. Do not leave children unattended.
4. Do not use the Bugaboo Cameleon<sup>3</sup> if any part is broken, torn or missing.
5. This product is not suitable for running and skating.
6. Do not take your stroller on the escalator.
7. Do not allow the Bugaboo Cameleon<sup>3</sup> to be used as a toy.
8. When adjusting the Bugaboo Cameleon<sup>3</sup>, children should be kept clear of moving parts while making adjustments.
9. The brakes must always be applied when the pram/stroller is not moving.
10. Ensure that all the locking devices are engaged before use.
11. Check that the carrycot or seat unit or car seat attachment devices are correctly engaged before use.
12. Stroller may become unstable if suspension is not adjusted equally.
13. To avoid danger of suffocation to babies and children dispose of plastics bags and packaging immediately.
14. Do not stand on the axles between the wheels. This is unsafe and could damage the Bugaboo Cameleon<sup>3</sup>.
15. Do not use the sun canopy in the extended position in combination with the rain cover. Suffocation hazard.
16. **STRANGULATION HAZARD:**
  - Child can strangle in loose restraint straps. Never leave child in carrier when straps are loose or undone.
  - Strings can cause strangulation! Do not place items with a string around a child's neck, such as hood strings or pacifier cords. Do not suspend strings over a carrycot or cradle or attach strings to toys.
17. Always apply the brakes whenever the stroller is stationary.
18. Put on all the brakes whenever you park the stroller.
19. Secure the child in the harness at all times.
20. Safety harness can form loops which may pose a strangulation hazard. Always use safety harness fitted on child in the pram.

- 
- 
21. Do not carry extra children or bags on this stroller.
  22. Follow the manufacturer's instructions.
  23. Do not leave child unattended.
  24. Make sure children are clear of any moving parts if you adjust the stroller, otherwise they may be injured.
  25. To avoid injury ensure that your child is kept away when unfolding and folding this product.
  26. The seat cap serves as an important head barrier safety function. Always use the seat cap with the seat unit to avoid injury when using the Bugaboo Cameleon<sup>3</sup>.
  27. Safety harness can form loops which may pose a strangulation hazard. Always use safety harness fitted on child in the pram.

## **II. recommended weights and height**

- 
- 
28. Maximum weight for the child in the carrycot is 9 kg (20 lbs).
  29. Maximum weight for the child in the seat when used independently of the chassis is 9 kg (20 lbs).
  30. The Bugaboo Cameleon<sup>3</sup> is suitable for children from 0 to 36 months (17 kg/ 37.5 lbs)
  31. The Bugaboo Cameleon<sup>3</sup> is suitable for children up to a height of 102 cm (40 in).
  32. Maximum weight for the underseat bag is 4 kg (8.8 lbs).
  33. Use only manufacturer recommended weights in the underseat bag otherwise the stroller may become unstable.
  34. The product will become unstable if the manufacturer's recommended load is exceeded.
  35. Any load attached to the handlebar affects the stability of the stroller.

## **III. using the carrycot on the chassis**

36. The carrycot is not intended for use by children older than 6 months or children who can sit unaided.
37. The carrycot is suitable only for a child who cannot sit unaided, roll over and cannot push itself up on its hands and knees. Maximum weight of the child: 9 kg (20 lb).
38. Do not use a mattress pad other than the one provided by the manufacturer.
39. Do not use this carrycot once the child can sit unaided.

#### **IV. using the seat on the chassis**

40. Always use the harness.
41. Always use the crotch strap in combination with the waist belt.
42. The seat is not recommended for a child under 6 months old.
43. Avoid serious injury from falling or sliding out. Always use the harness.
44. Check that the seat unit attachment devices are correctly engaged before use.
45. Do not use this seat with any other models of stroller.
46. When not in use disconnect shoulder straps from waist strap buckle.

#### **V. using the carrycot independently of the chassis**

47. Never use the carrycot or seat on a stand other than the Bugaboo stand (not available in every region).
48. Use only on a firm ground which is horizontal, level and dry. Never use on soft surfaces.
49. Do not let other children play unattended near the carrycot.
50. Never use the carrycot on an elevated surface: e.g. a table.
51. Never use the carrycot as a means to transport an infant in a motor vehicle.
52. SUFFOCATION HAZARD:
  - In gaps between an extra pad and the side of the carrycot.
  - On soft bedding. NEVER add a mattress, pillow, comforter, or padding. Use ONLY the pad provided by manufacturer.To reduce the risk of SIDS, pediatricians recommend healthy infants be placed on their backs to sleep, unless otherwise advised by your physician.
53. Use the carrycot as provided by Bugaboo. Use only the sheet provided by Bugaboo.

#### **VI. using the seat independently of the chassis**

54. Fall Hazard: Child's movement can slide carrier. NEVER place carrier near edges of counter tops, tables, or other elevated surfaces.
55. Use only on a firm ground which is horizontal, level and dry. Never use on soft surfaces.
56. Never use the seat on an elevated surface: e.g. a table.
57. The seat is not intended for prolonged periods of sleeping.
58. Always use the harness.
59. Do not use the seat for children heavier than 9 kg (20 lb).
60. Never use the seat as a means to transport children in a motor vehicle or on a bicycle.



## VII. using the two wheel position

61. Always use the wrist strap when in two wheel position.
62. Do not use the carrycot or car seat in the two wheel position.

EN



Some instructions require special attention for ensuring the safe use of the Bugaboo Cameleon<sup>3</sup>. When you see this symbol in the instructional part of the user guide, please refer to the indicated group of warnings in the "WARNINGS" chapter.

For example, if you see , please refer to the warnings under the section "II. recommended weights and height".

## important information

- Do not assemble or use the Bugaboo Cameleon<sup>3</sup> until you have read the user guide.
- Check the safety of the Bugaboo Cameleon<sup>3</sup> before each use. Ensure that the seat fabric, the brake and the harness are all working properly, the handlebar is locked and that the seat is fitted correctly to the chassis.
- Check to see if the Bugaboo Cameleon<sup>3</sup> is damaged. You should ensure that any damaged or worn parts are repaired immediately.
- To ensure complete safety for your child do not use the Bugaboo Cameleon<sup>3</sup> until any damaged or worn parts have been repaired or replaced.
- Only use authentic Bugaboo replacement parts and Bugaboo accessories or products approved by Bugaboo for use with the Bugaboo Cameleon<sup>3</sup>. It is unsafe to use products that are not approved by Bugaboo.
- The Bugaboo Cameleon<sup>3</sup> frame (no. 230202) should only be used with the Bugaboo Cameleon<sup>3</sup> chassis (no. 234200 or 234220). Do not use Bugaboo Cameleon<sup>3</sup> parts or components with any non-approved stroller or any other Bugaboo product.
- Do not use the Bugaboo Cameleon<sup>3</sup> or any of its components near open flames or other sources of heat. Avoid exposing the Bugaboo Cameleon<sup>3</sup> to extreme temperatures.
- The Bugaboo Cameleon<sup>3</sup> is not resistant to saltwater.
- Always use the safety features of your Bugaboo Cameleon<sup>3</sup>, including locking devices, brake, the harness and the wrist strap (see this user guide for additional information). Check and maintain all safety features frequently.
- Take your child or children out of the Bugaboo Cameleon<sup>3</sup> when going up or down stairs and around steep or unstable conditions. Also, take extra care when going up or down a curb or other uneven surfaces.
- This vehicle requires regular maintenance by the user.
- The warranty does not cover damage to the Bugaboo Cameleon<sup>3</sup> caused by overloading, incorrect folding or the use of non-original accessories.
- The Bugaboo Cameleon<sup>3</sup> is designed for one child only. An additional child may ride



- along on the optional wheeled board, according to the usage instructions.
- Never pick up the Bugaboo Cameleon<sup>3</sup> and chassis by the carry handle while your child is lying or sitting in the carrycot or seat.
  - Never place more than 7,9 kg (17 lb) in any car seat when attached to the stroller.
  - Keep children and appendages away from the adapter interface when attaching the car seat.
  - Do not allow children heavier than 20 kg (44 lb) to stand on the wheeled board.
  - To reduce the risk of SIDS, pediatricians recommend healthy infants are placed on their backs to sleep, unless otherwise advised by your physician.
  - Never use the Bugaboo Cameleon<sup>3</sup> without the underseat bag attached to the chassis.
  - Take your child out of the stroller when travelling by bus or train.

## maintenance tips

After a few tough months on the streets the Bugaboo Cameleon<sup>3</sup> may begin to get a bit dirty.

These tips will help you take care of your Bugaboo Cameleon<sup>3</sup> and keep a smooth ride.

- Clean the chassis with a soft towel and lukewarm water and wipe off any remaining water with a dry cloth.
- Use a soft brush to clean sand and dirt from the mechanisms and sliding tubes of the chassis. Take care to brush away from any sliding joints.
- Use a sponge, warm water and liquid soap to gently rub off any dirt on the handlebar foam. Wipe clean any soap residue left on the handlebar.
- Use a brush and water to clean dirt on the wheels. Periodically, remove the wheels from the chassis and brush off any dirt or sand in the inside axle of the wheel.
- Store your Bugaboo Cameleon<sup>3</sup> and its accessories in a dry place and leave them unfolded when wet to prevent mould.

For more tips on how to maintain your Bugaboo Cameleon<sup>3</sup>, visit [bugaboo.com](http://bugaboo.com).

## cleaning the fabrics

The Bugaboo Cameleon<sup>3</sup> carrycot and seat fabrics are detachable and machine washable.

When washing\*, don't forget:

- maximum temperature 30°C/85°F (cold wash)
- do not use bleach or aggressive detergents
- do not tumble dry
- do not iron
- do not dry clean
- always wash separately

\*If you bought a Bugaboo Cameleon<sup>3</sup> special edition, please go to

[www.bugaboo.com/customer-service/special-editions](http://www.bugaboo.com/customer-service/special-editions) for specific information on cleaning the fabrics or washing instructions.

Always check the fabric label before washing.

The aerated inlay of the mattress can be washed at 60°C. The aerated inlay is placed on top of the thicker foam mattress and can be taken off by removing the mattress cover. After washing, ensure that all mattress parts are replaced in their original positions, with the aerated inlay placed on top of the foam mattress. Do not use the mattress without the aerated inlay.

EN

## manufacturer's warranty (for Australia and New Zealand only)

*(For Australia only) Our goods come with guarantees that cannot be excluded under the Australian Consumer Law. You are entitled to a replacement or refund for a major failure and for compensation for any other reasonably foreseeable loss or damage. You are also entitled to have the goods repaired or replaced if the goods fail to be of acceptable quality and the failure does not amount to a major failure.*

You should ask the retailer about these.

As the manufacturer, Bugaboo International BV, which has its principal place of business in Amsterdam ("Bugaboo"), supplies the Bugaboo stroller ("product") under warranty, subject to the following conditions:

1. Bugaboo's warranty period is 24 months, from the date of purchase as indicated on the sales receipt. The remaining warranty period for the original product will apply for a replacement part or product or a repaired product.
2. Bugaboo's warranty applies only in the region (USA and Canada or Europe or Russia or Australia and New Zealand or Asia) in which the product was purchased. Bugaboo warrants that the product will be in compliance only with the statutory provisions and/or government regulations that apply in the region in which the product was sold. Bugaboo reserves the right to apply a different warranty for other regions.
3. Bugaboo's warranty provides a right to repair unless Bugaboo is of the opinion that replacement or return of the product is necessary. Bugaboo will bear the expense and risk of transport from and to the retailer ("the retailer") where you purchased the product, if the repair is covered by manufacturer's warranty.

4. To claim under Bugaboo's warranty you must provide Bugaboo with the following:
  - a copy of the dated purchase receipt,
  - a clear description of the complaint and
  - the defective product and/or photographs of the defective part or product.
5. Bugaboo's warranty is not transferable and may therefore only be invoked by the first owner.
6. Bugaboo's warranty does not affect any statutory rights you may have, for example the right to hold the retailer accountable for defects.

## what is covered by the Bugaboo's warranty?

Bugaboo's warranty applies in respect of the product and covers the following:

- all manufacturing defects in the chassis, frame and the wheels;
- all manufacturing defects in the adapters (frame and car seat adapters);
- zippers;
- all parts of the harness of the product;
- seams in the covering;
- Velcro®; and
- colourfastness.

## Bugaboo's warranty will be void in the following circumstances:

- If you have made or arranged for modifications or repairs to be made without first having received written permission from Bugaboo or the retailer.
- Defects resulting from neglect or an accident and/or from any use or maintenance other than that indicated in the user guide.
- If the serial number has been damaged or removed.
- Damage to the product caused by normal wear and tear.
- Incorrect mounting or installation of third-party parts that are incompatible with the product.
- Inadvertent or unintentional damage, abnormal use or insufficient care.
- Improper storage / product care.
- Damage to push bars or upholstery due to normal daily use of the product.
- Holes or tears in the tires.
- Damage due to improper use or due to failure to follow user guide.
- Damage due to repairs carried out by unauthorized persons or due to improper disassembly of the product.
- Transport damage (during air transport or other modes of transport): carefully inspect your product after it was shipped by the airline (or other carrier) and in case of any damage immediately file a claim with the carrier.
- Customer dissatisfaction with the product in terms of fit, weight, functionality, colour or design.



## Bugaboo's warranty conditions for Bugaboo special edition

EN

If you have purchased a special edition of the Bugaboo stroller, go to [www.bugaboo.com/customer-service/special-editions](http://www.bugaboo.com/customer-service/special-editions) for a complete overview of Bugaboo's warranty conditions. Your Bugaboo Special Edition may fall within the scope of other warranty conditions than the warranty conditions described in this user manual.

Bugaboo reserves the right to stop manufacturing a particular model, colour, fabric or accessory, in this case Bugaboo will replace a part with a similar part, colour or fabric during the manufacturer's warranty period.

### important

Bugaboo's warranty period for this product is 24 months from the purchase date indicated on the sales receipt. Save the sales receipt in a safe place and make a copy of it. It is even easier if you register your product at [bugaboo.com](http://bugaboo.com) and/or by using the warranty card enclosed. If you submit a claim under Bugaboo's warranty you must first contact your retailer. If your retailer is unable to repair the defect or if Bugaboo was your retailer you can contact Bugaboo by sending an e-mail to [serviceau@bugaboo.com](mailto:serviceau@bugaboo.com) or dial 02 9091 0322 or by mail to Bugaboo Australia Pty Limited, Service Department Suite 2, Level 2 156 Edgecliff Road Woollahra NSW 2025 Australia. For complaints that arise outside Bugaboo's warranty period you must also contact the retailer or you can contact one of our service centres. You can find an up-to-date list of service centres at [bugaboo.com](http://bugaboo.com).

Bugaboo reserves the right to amend these warranty provisions. You can find the most up-to-date warranty provisions on our website: [www.bugaboo.com](http://www.bugaboo.com).

## replaceable parts

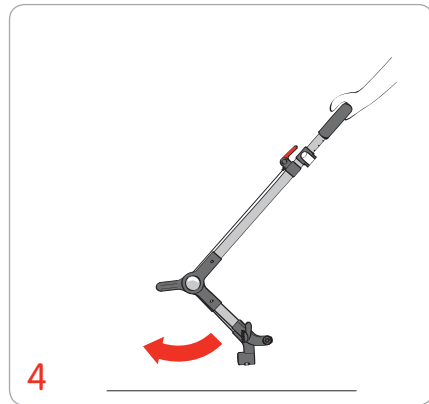
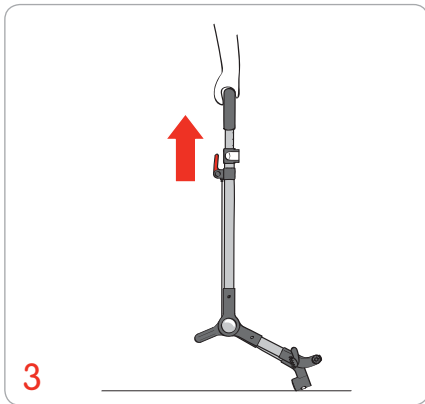
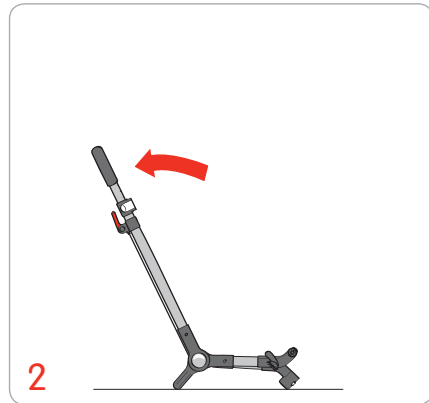
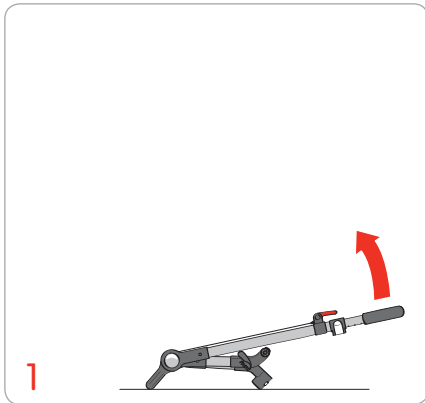
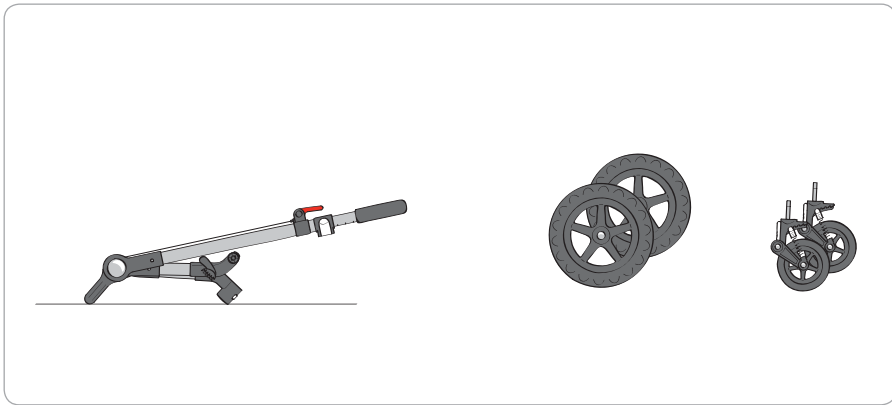
We pride ourselves on creating products based on high quality and standards. That's why only genuine Bugaboo parts or parts which have been approved by Bugaboo should ever be used in conjunction with the product. If you need to replace a part of your Bugaboo stroller, please contact your retailer, or visit [bugaboo.com](http://bugaboo.com) for an extensive list of retailers near you. .

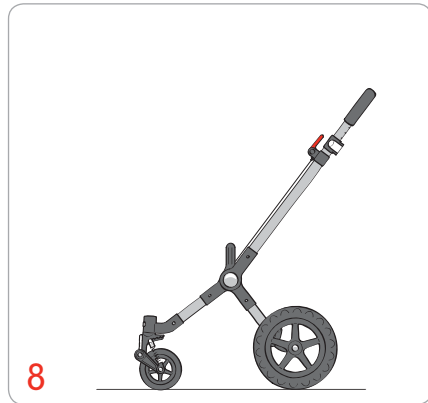
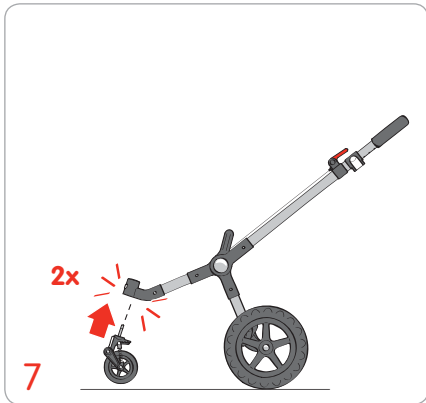
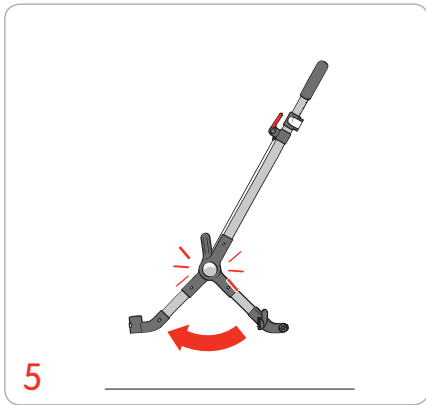
## contact

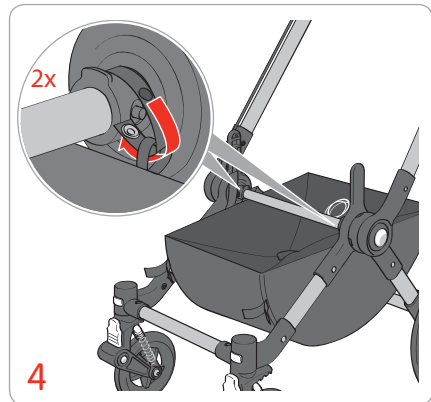
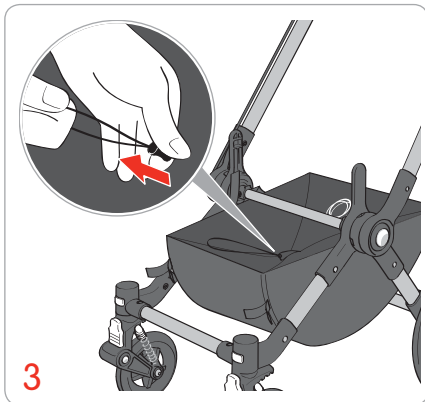
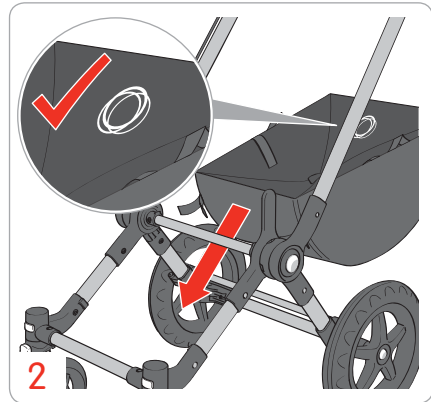
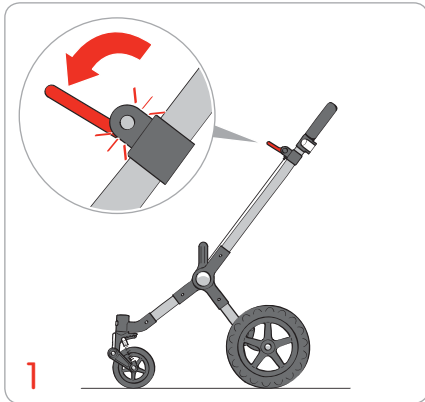
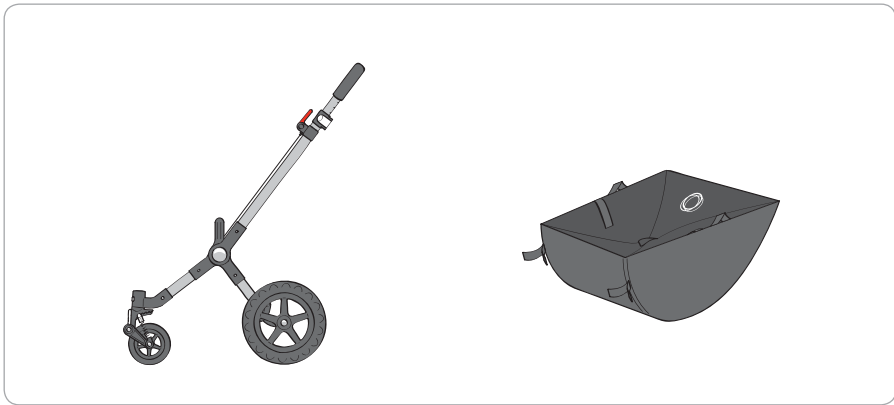
Before you start using your Bugaboo Cameleon<sup>3</sup>, make sure you fill out the product registration form on line at [bugaboo.com](http://bugaboo.com).

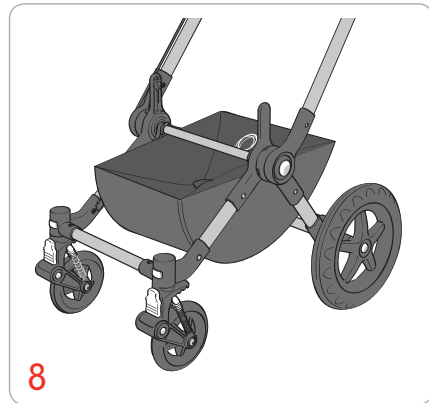
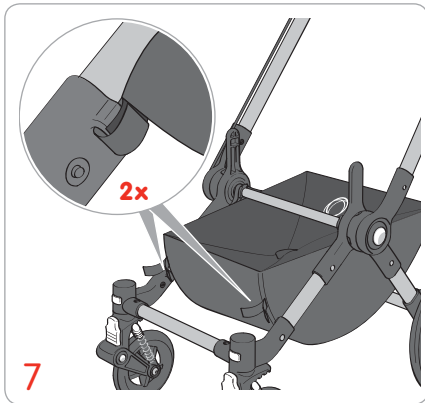
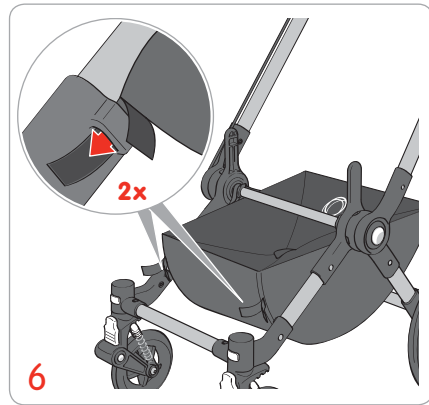
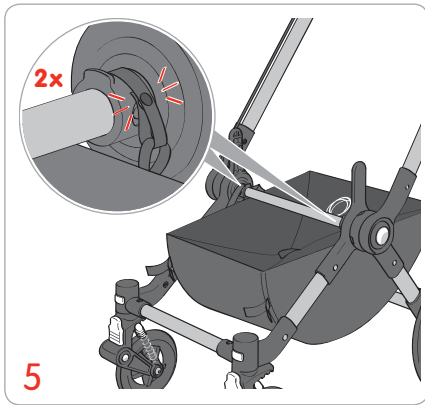
We are always interested in your feedback and would like to hear your comments on the Bugaboo Cameleon<sup>3</sup> or any other Bugaboo product. Please send us an email at [service.au@bugaboo.com](mailto:service.au@bugaboo.com), or visit our web site at [bugaboo.com/register](http://bugaboo.com/register) to create your personal account and sign up to participate in Bugaboo consumer research and receive the Bugaboo online newsletter.

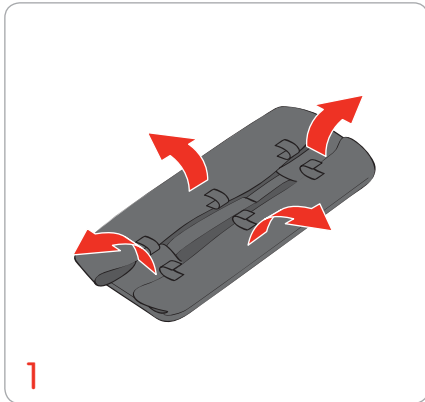
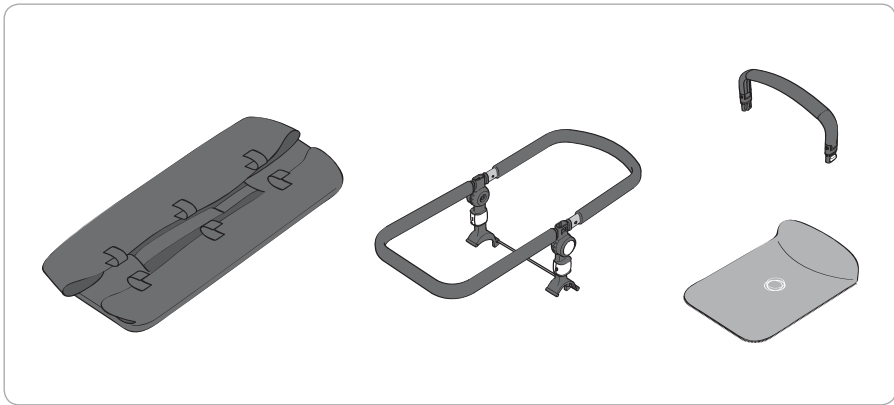




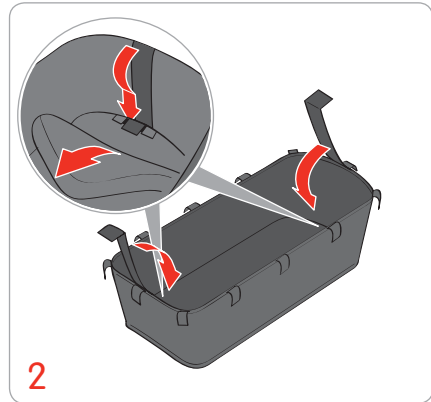




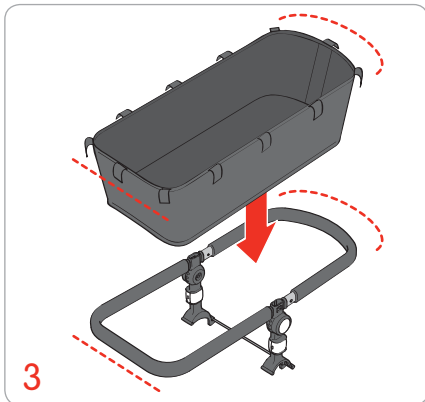




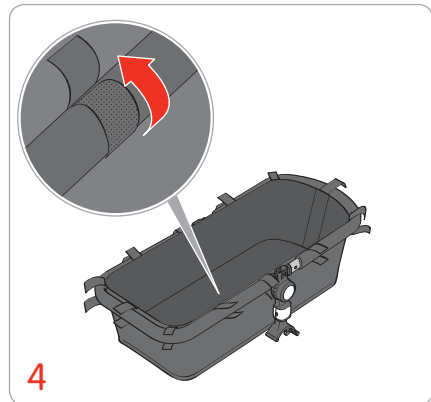
1



2

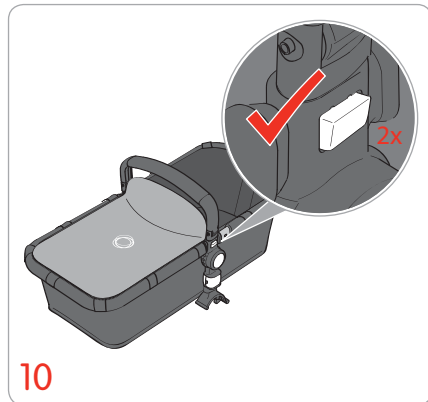
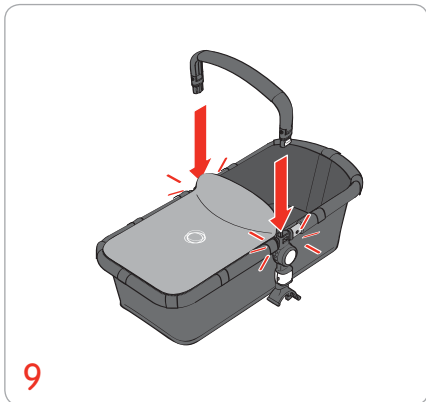
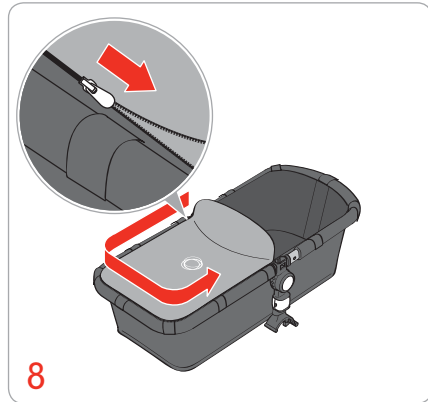
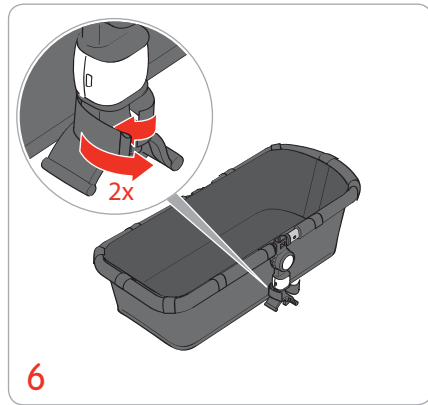
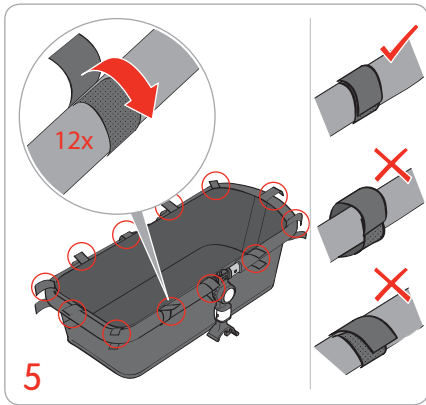


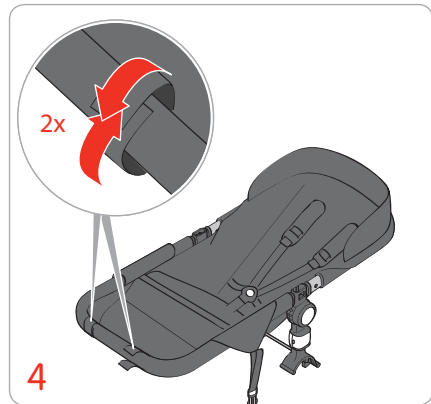
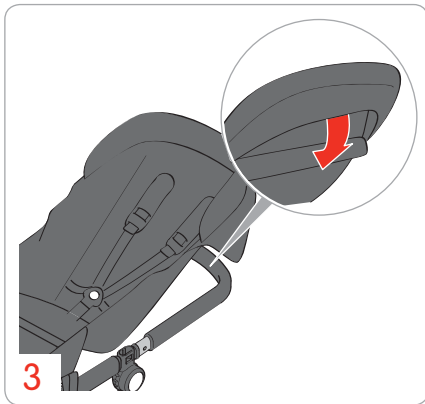
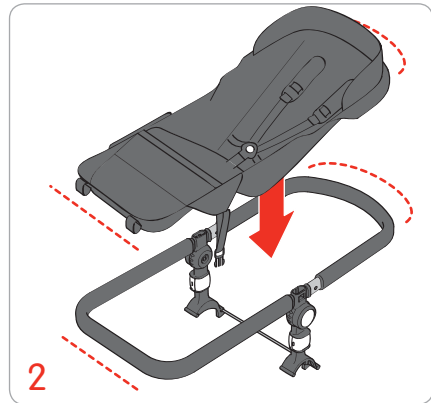
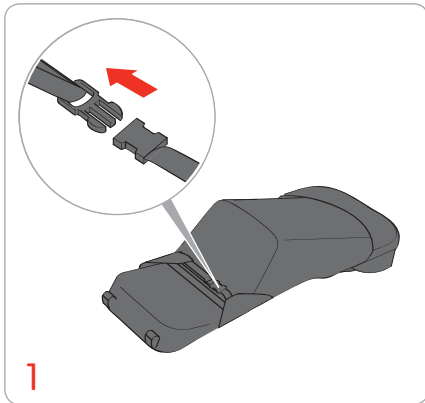
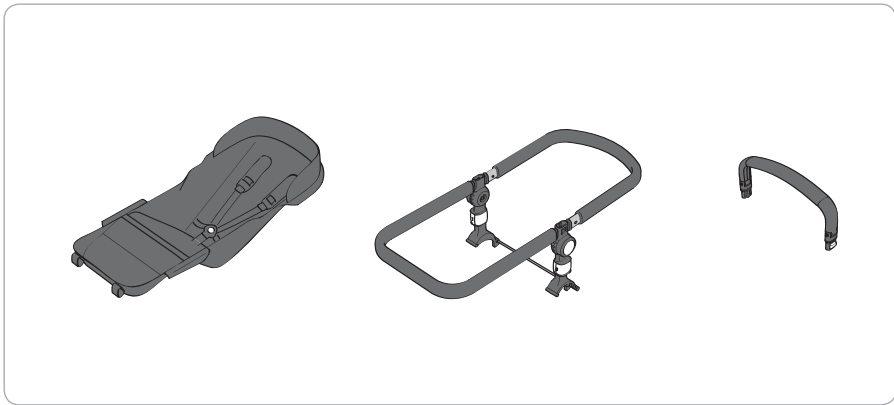
3

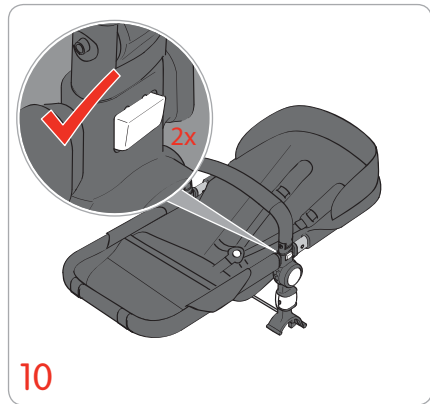
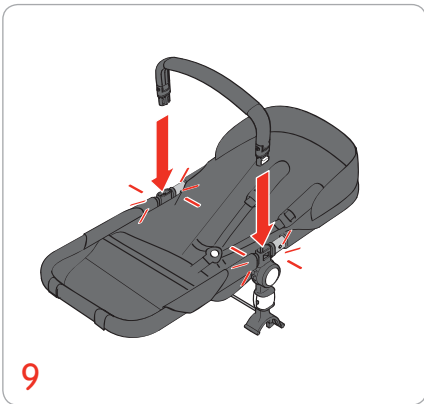
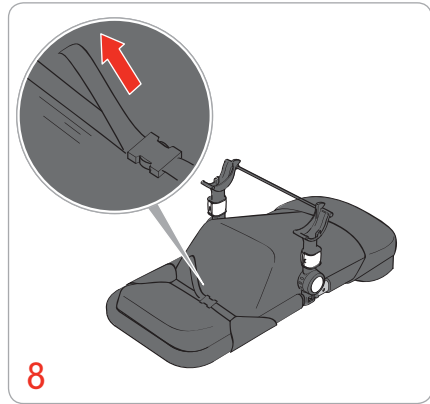
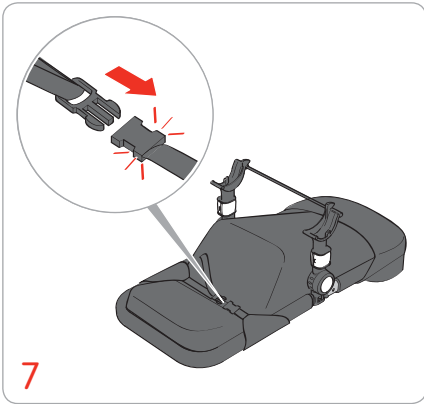
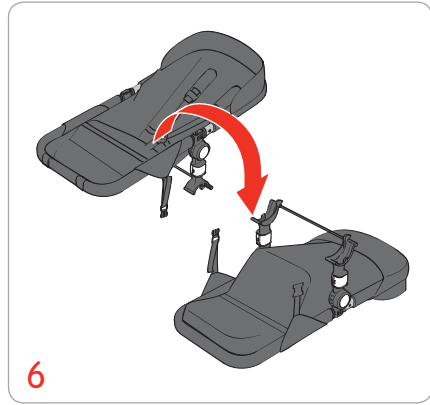
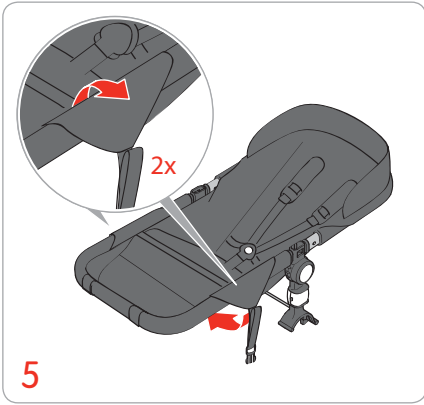


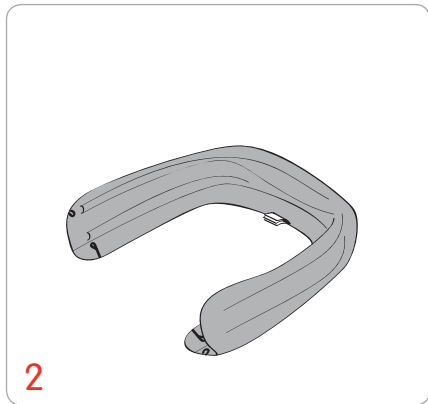
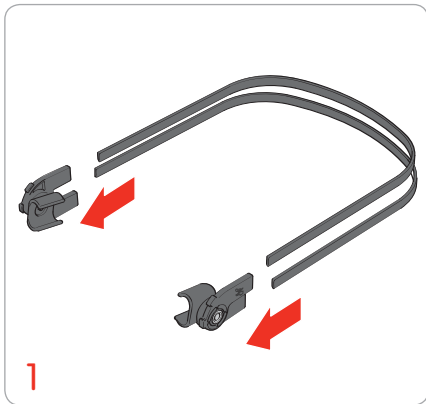
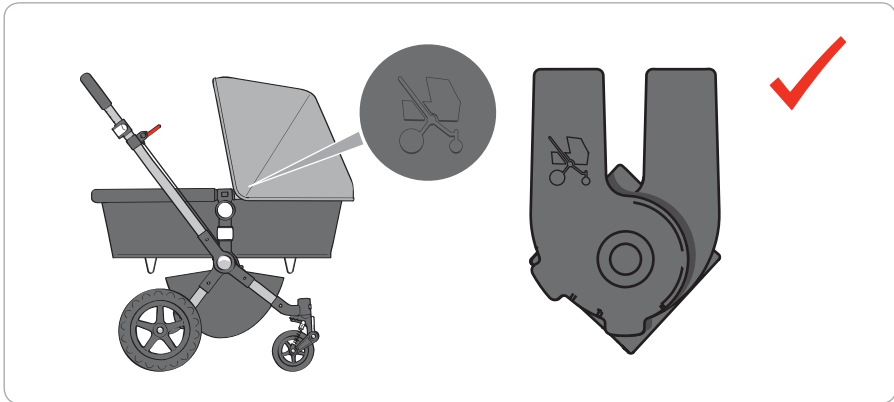
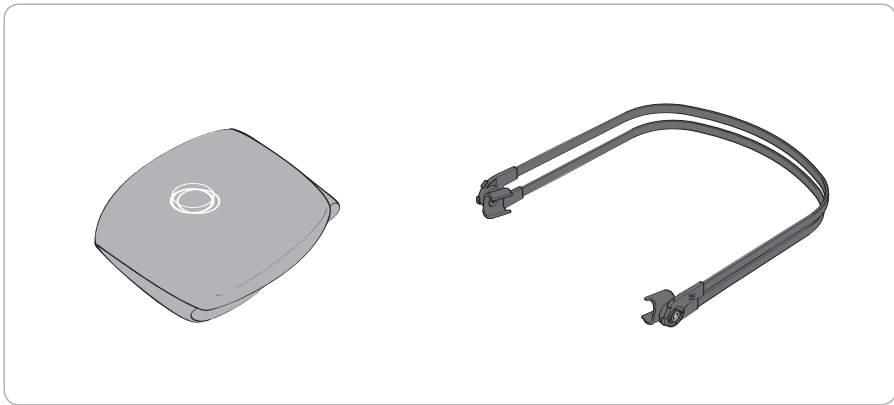
4

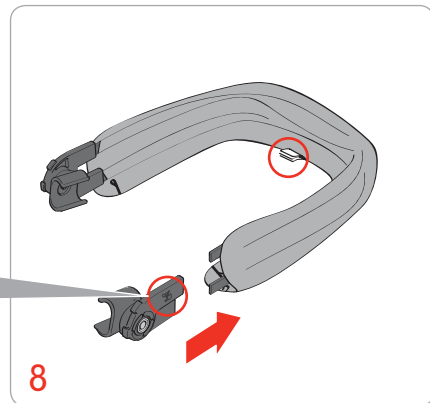
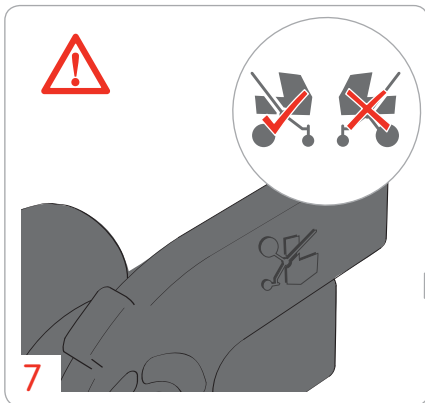
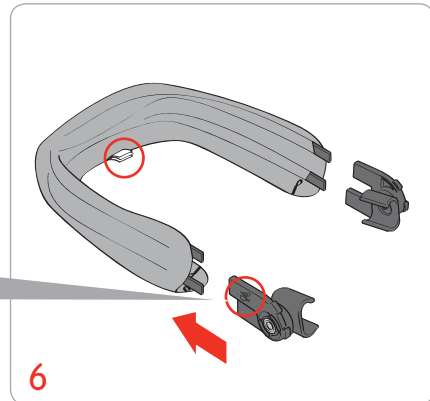
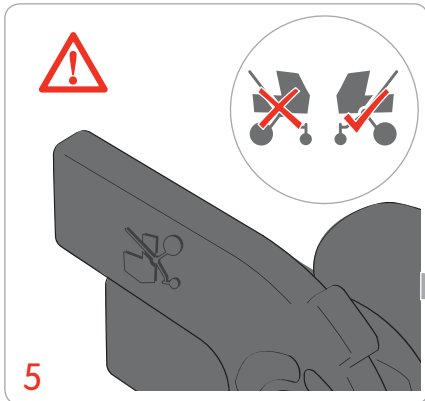
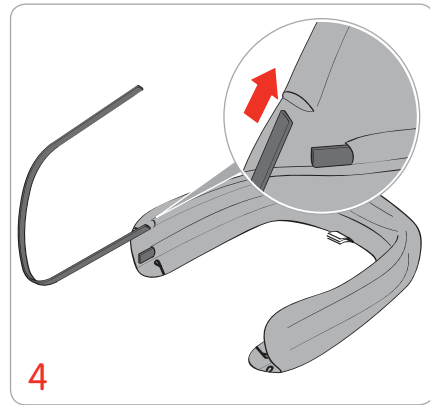
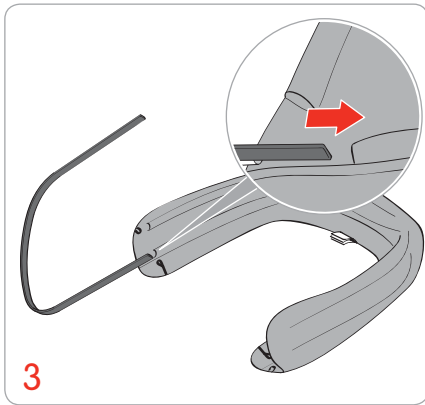


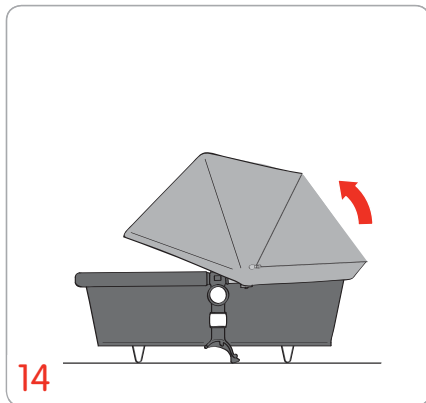
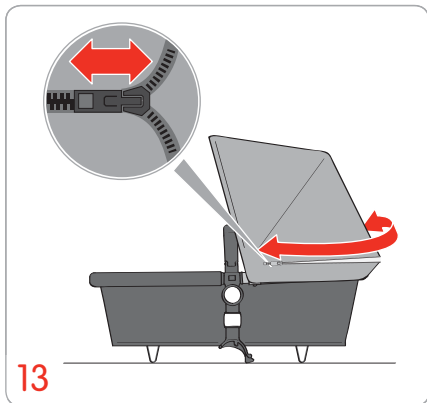
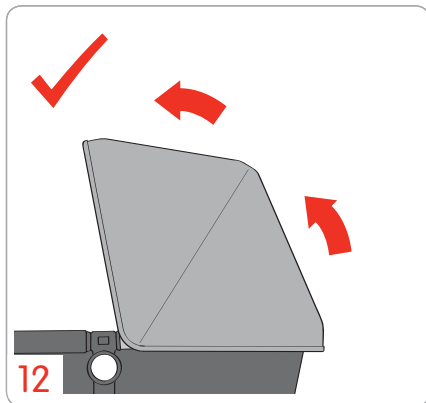
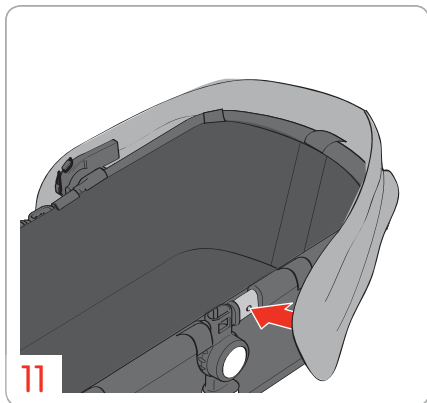
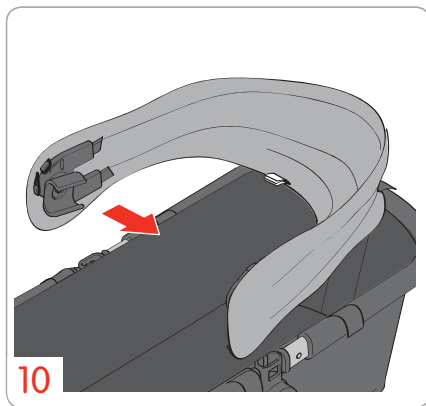
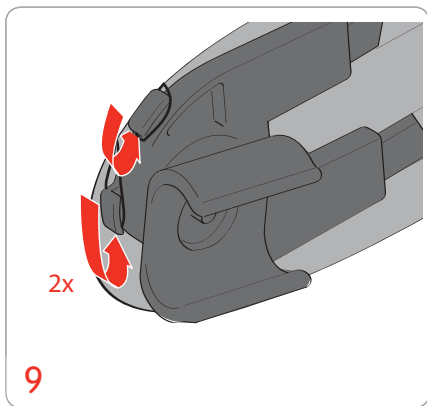


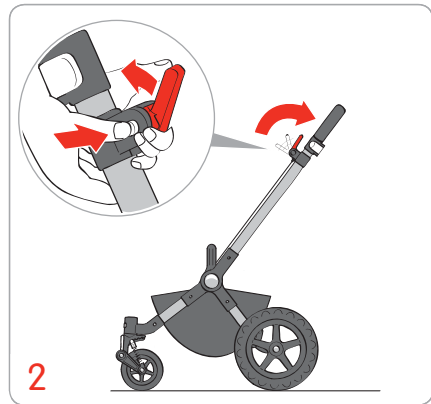
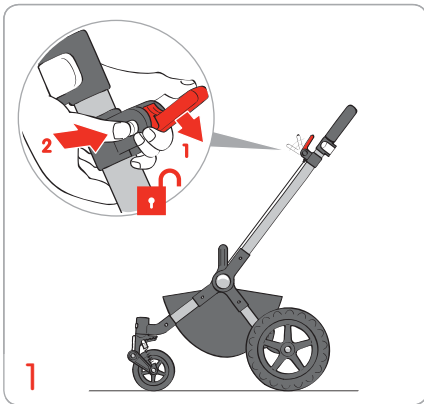
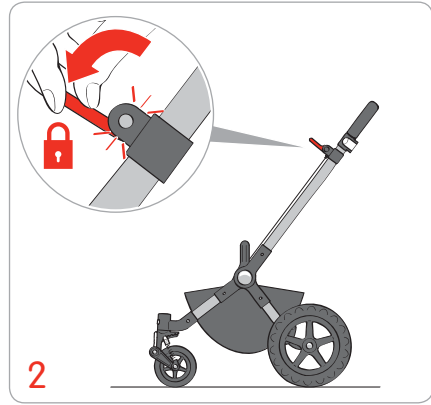
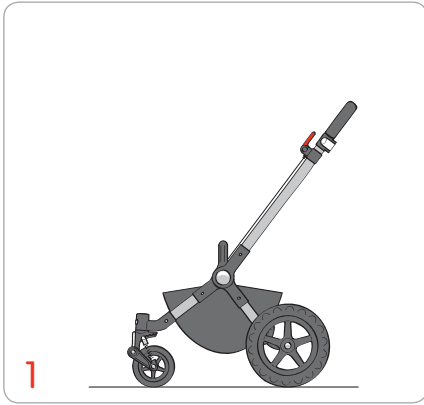


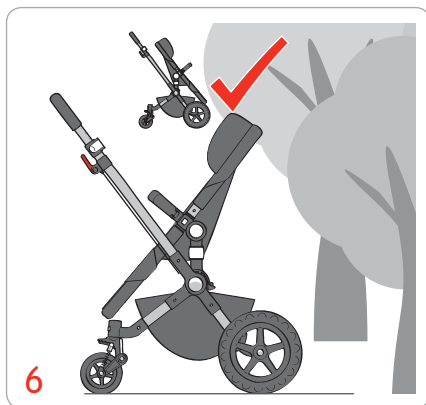
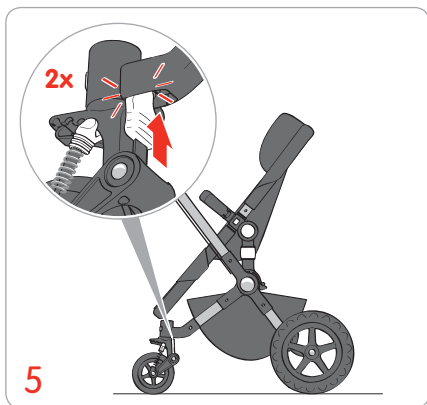
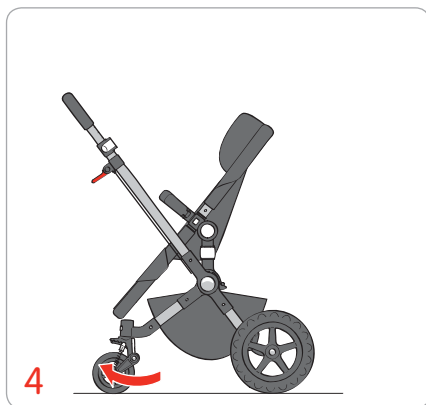
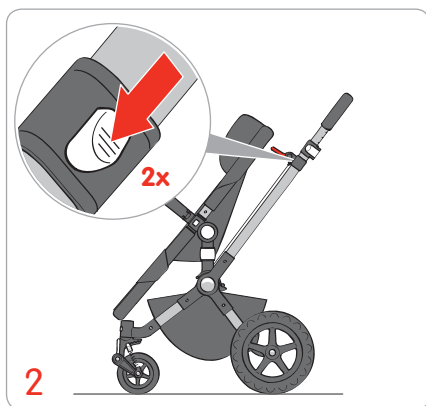
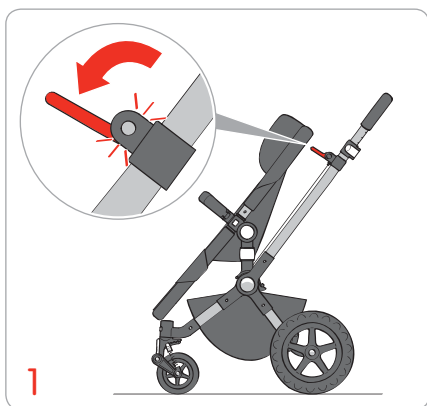




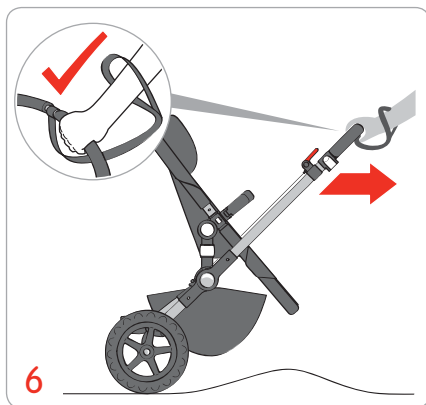
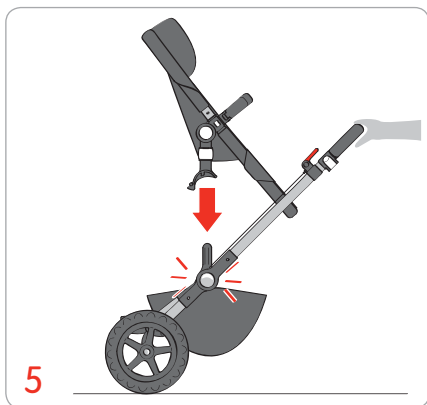
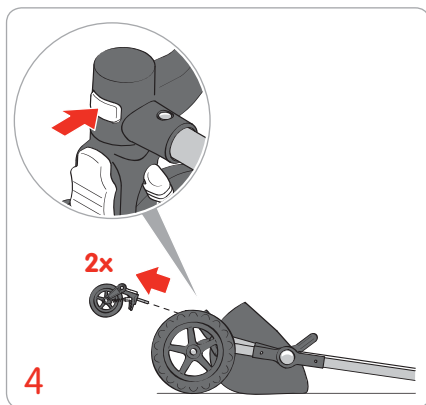
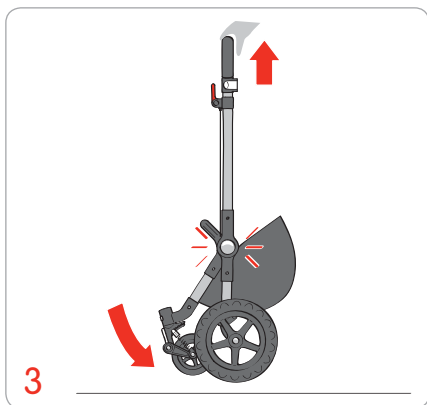
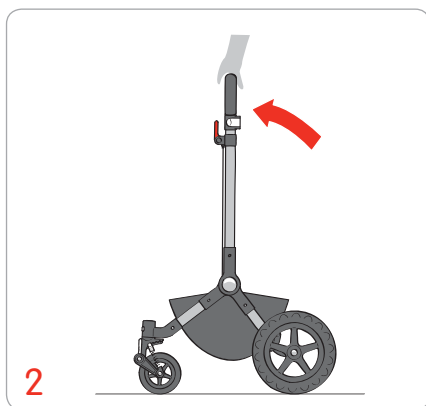
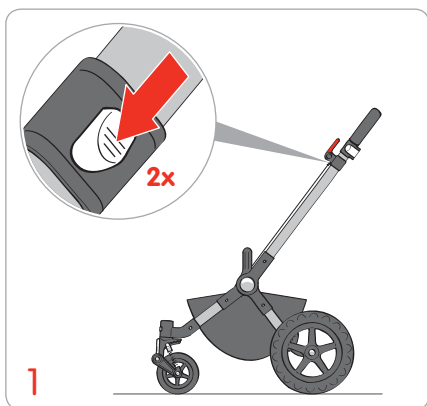


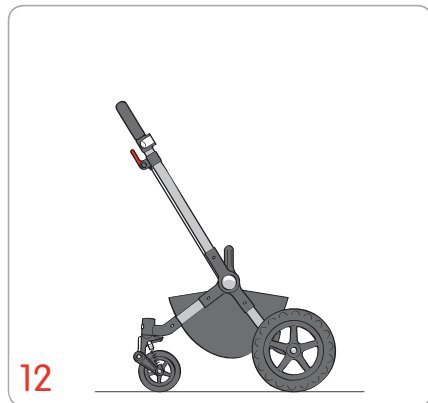
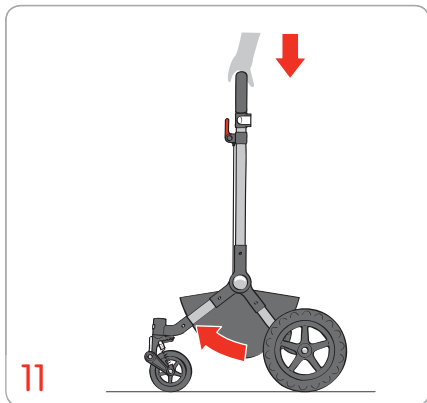
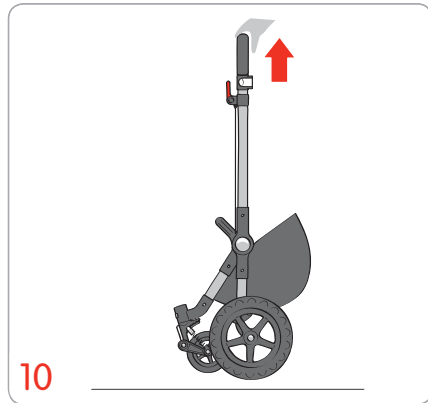
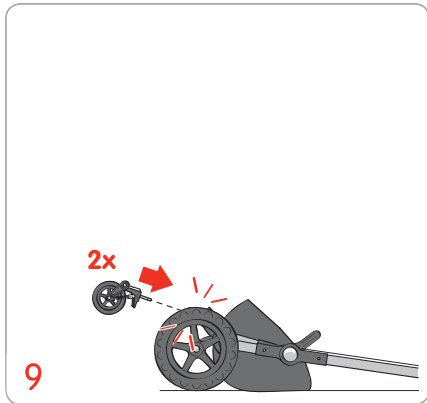
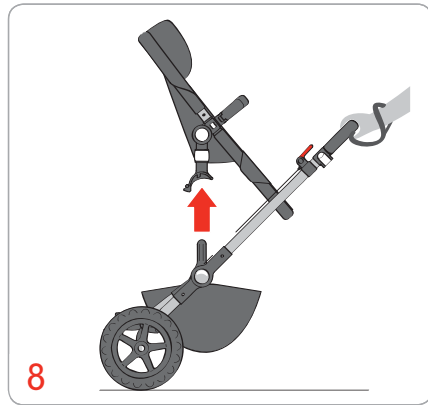
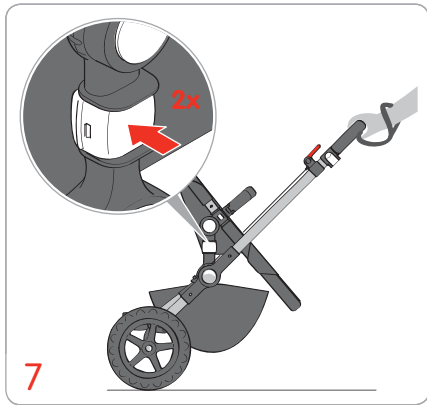


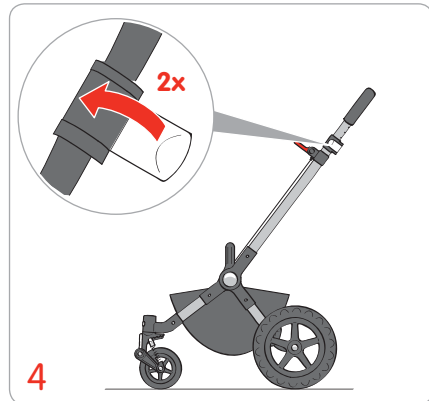
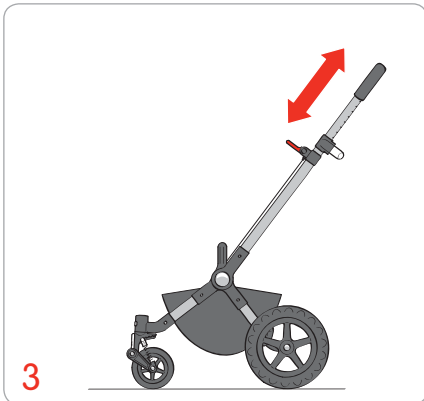
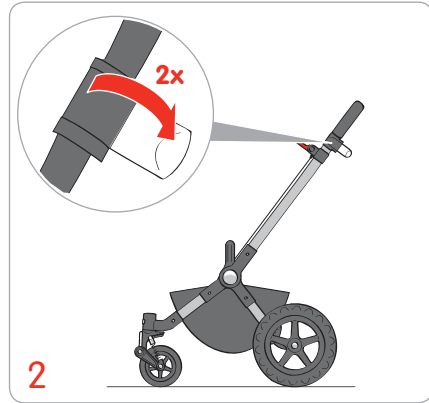
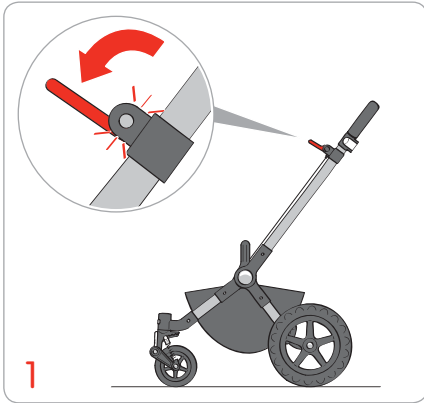


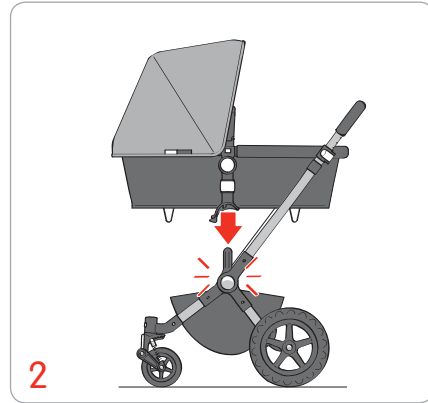
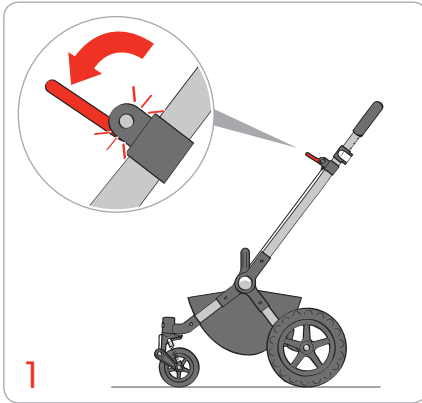


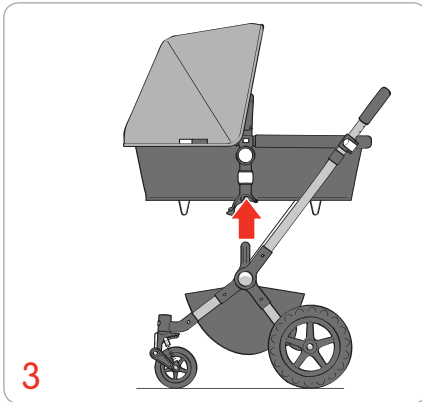
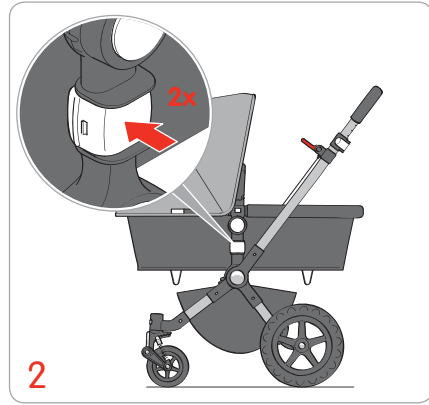
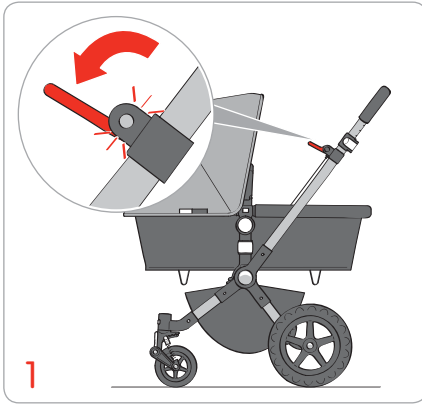


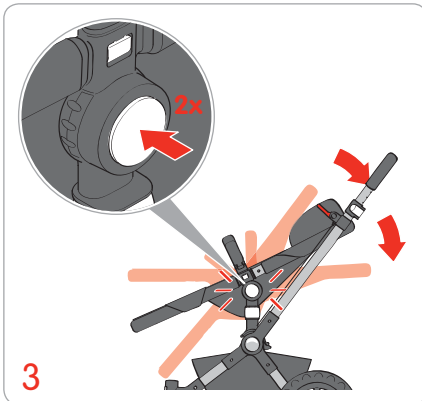
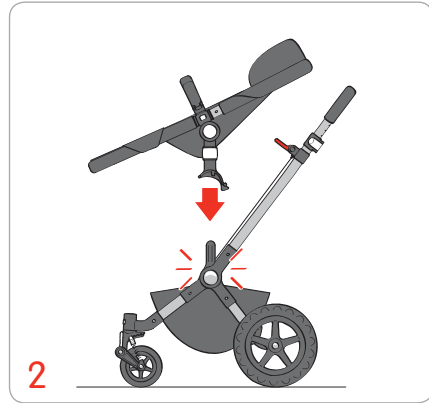
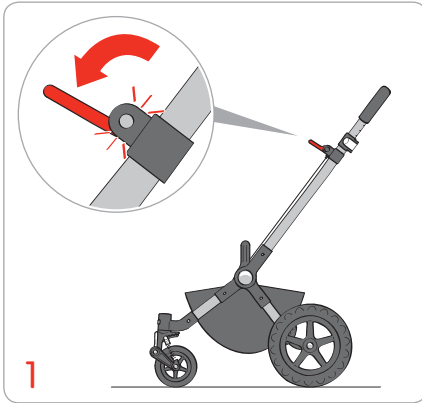


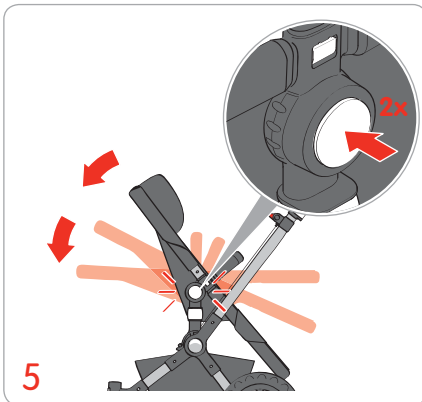
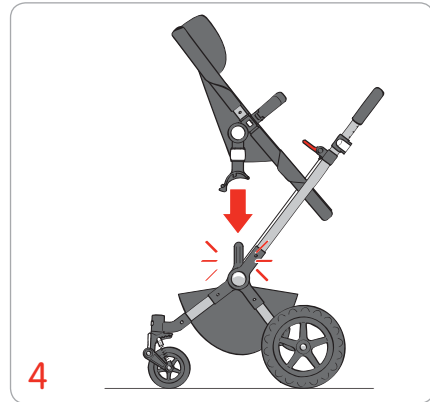
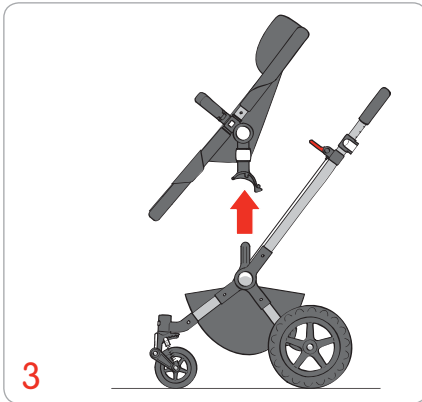
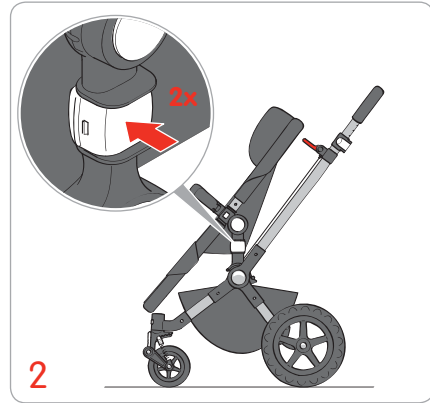
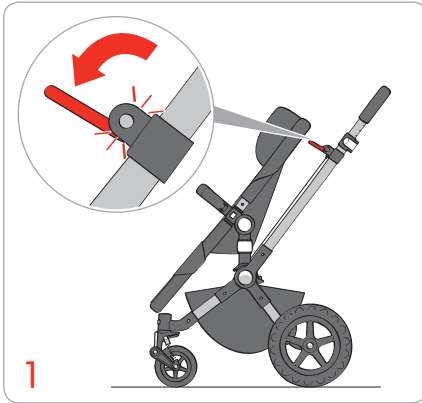


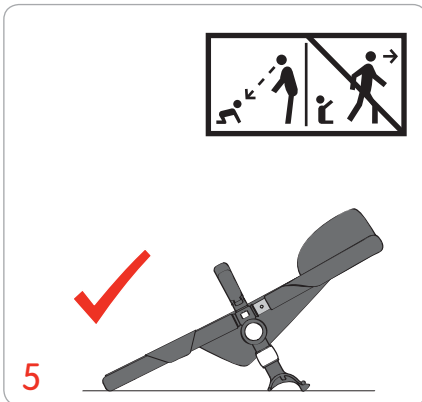
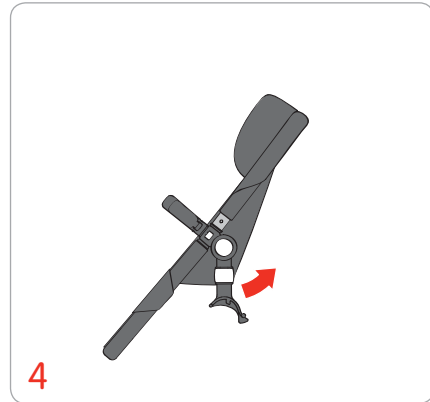
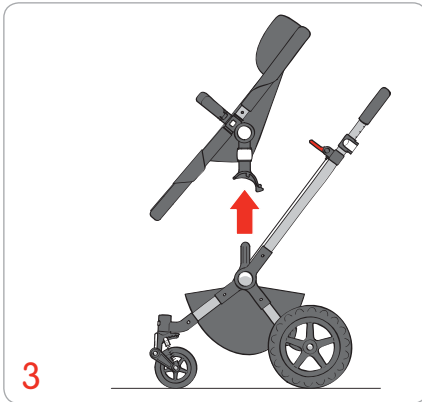
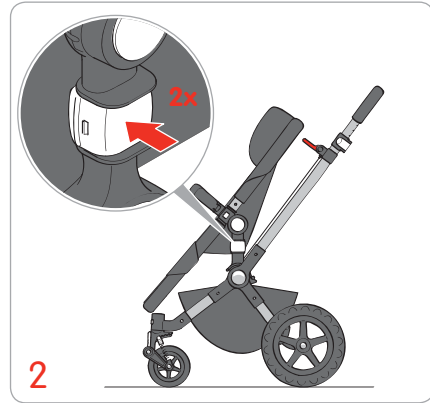
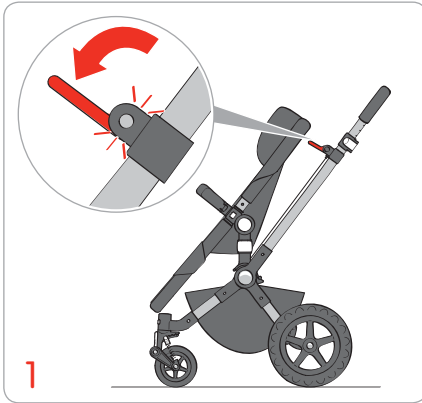




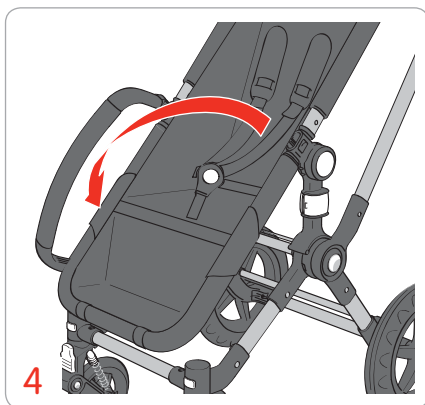
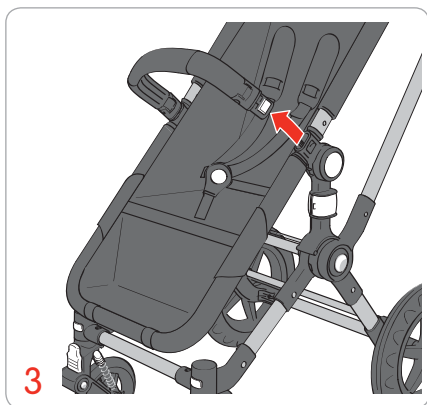
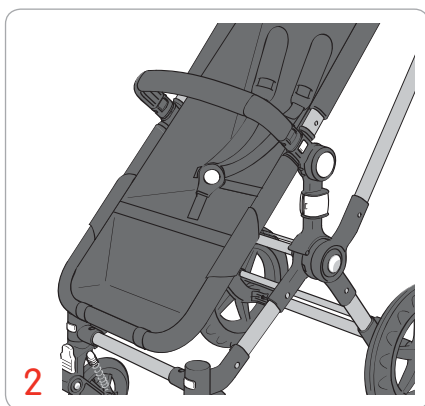
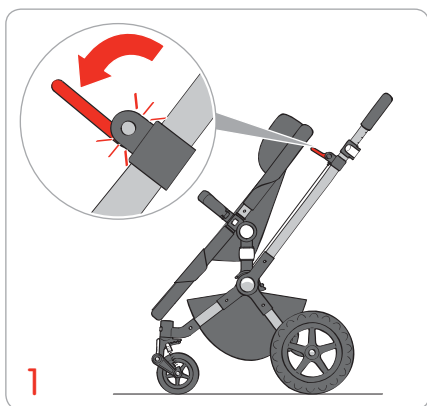


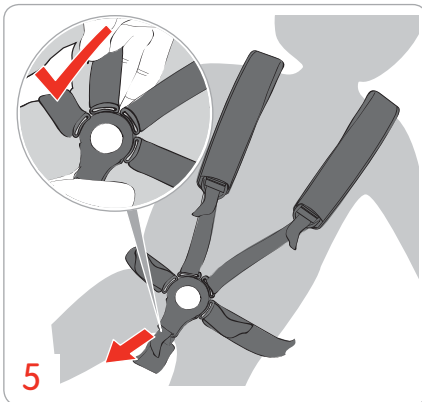
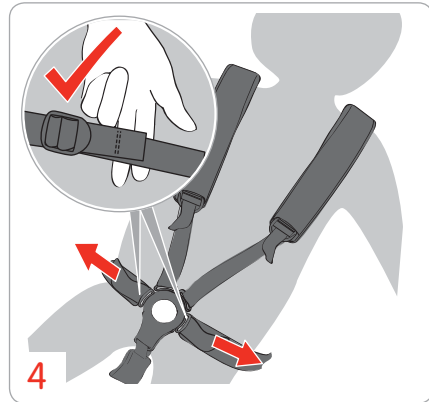
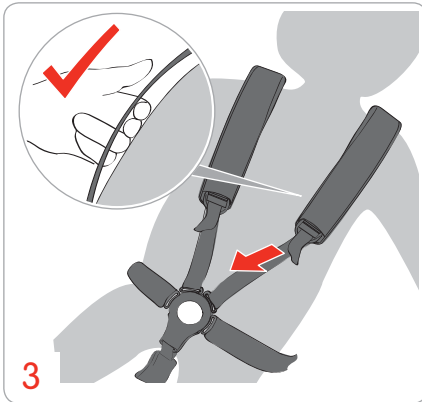
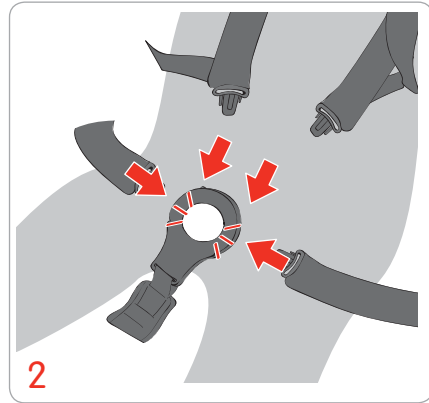
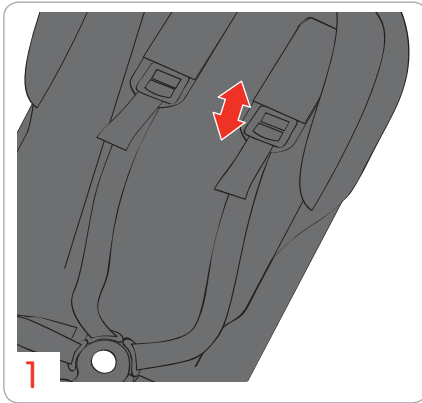


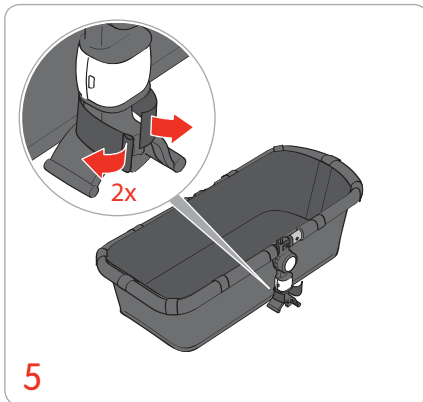
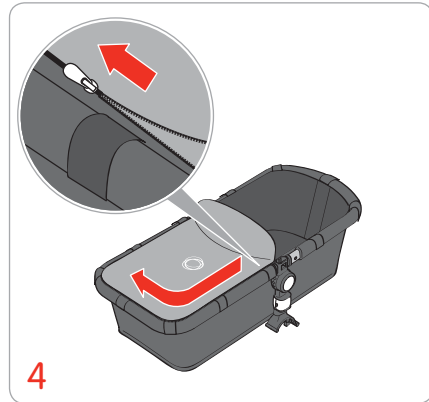
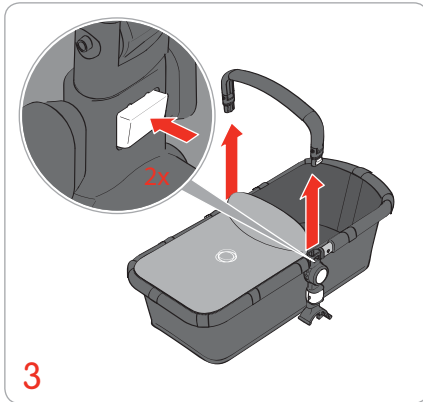
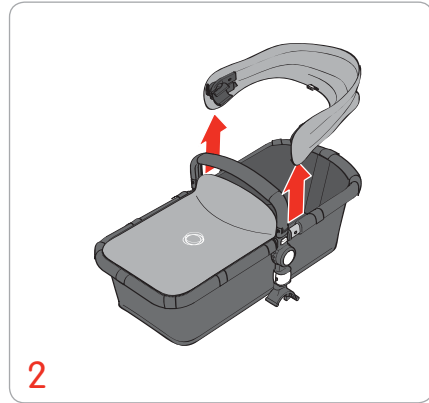
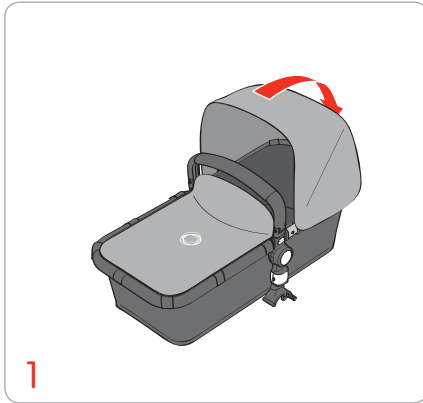


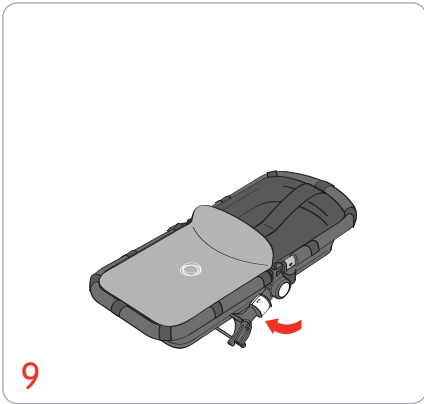
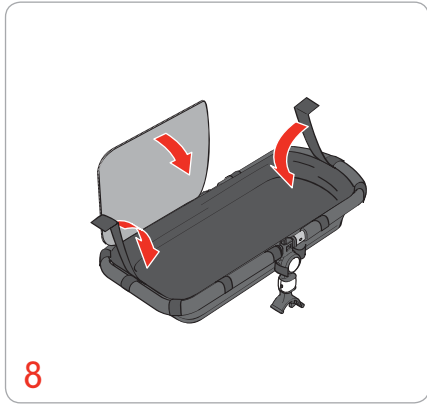
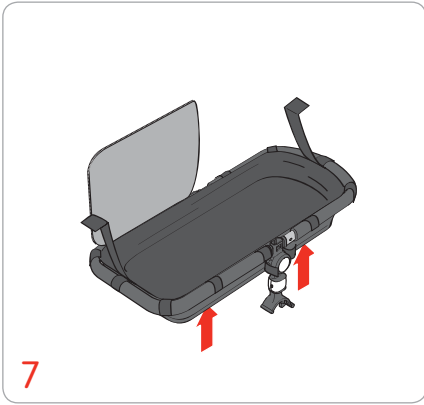


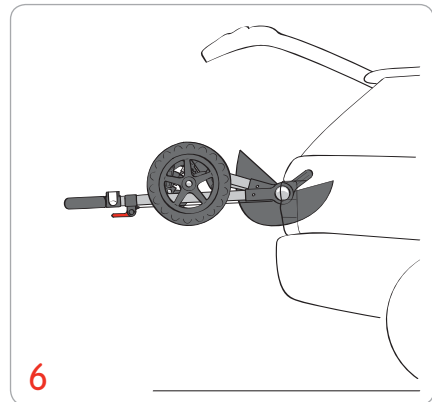
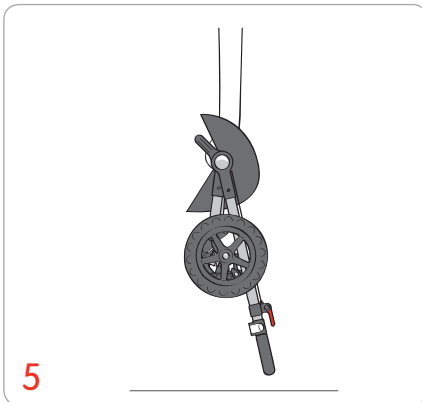
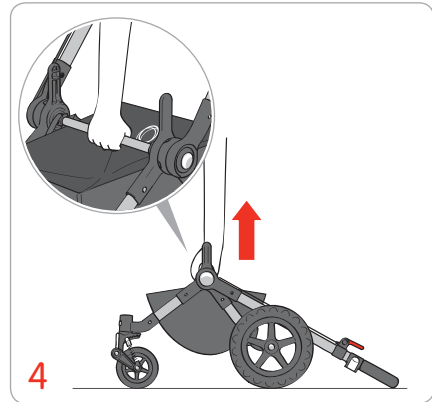
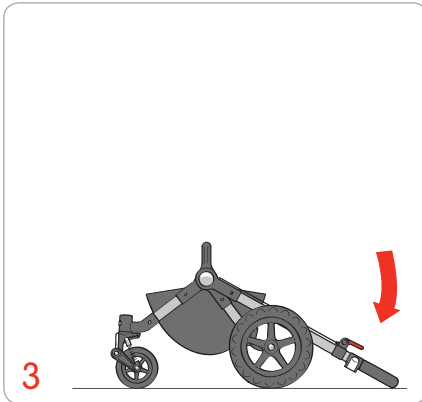
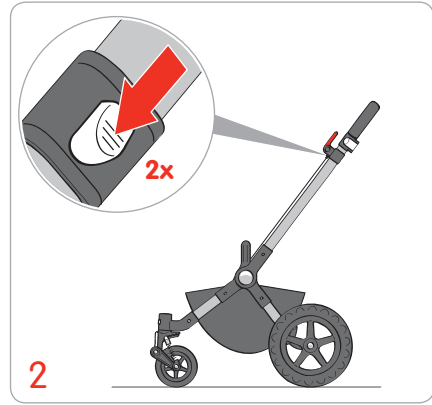
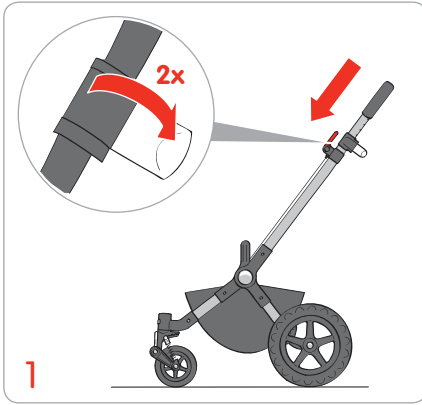


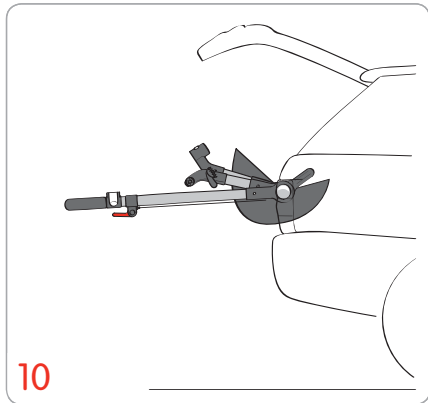
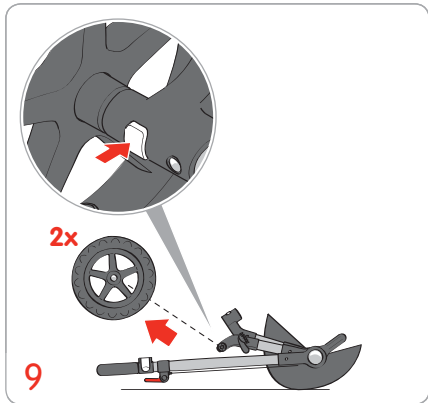
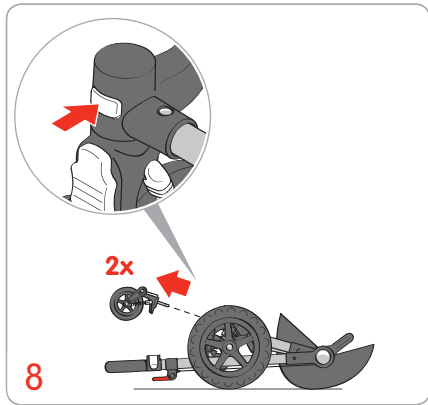
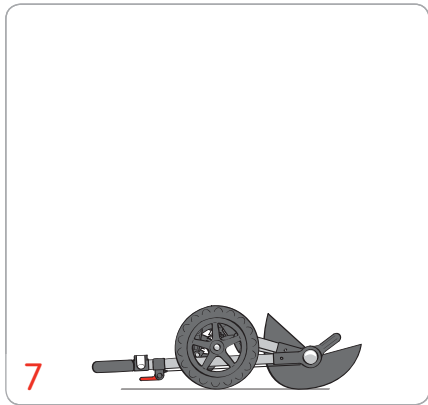


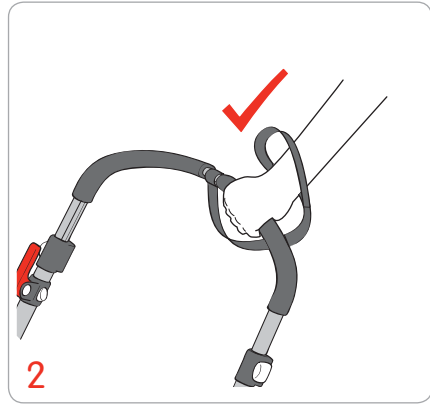
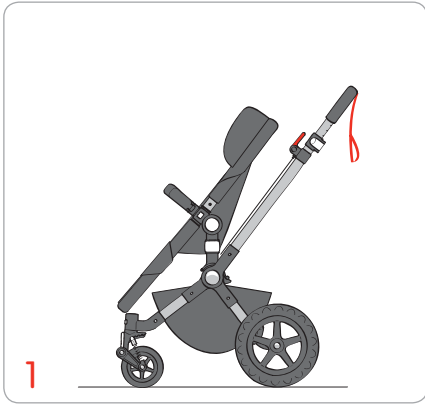


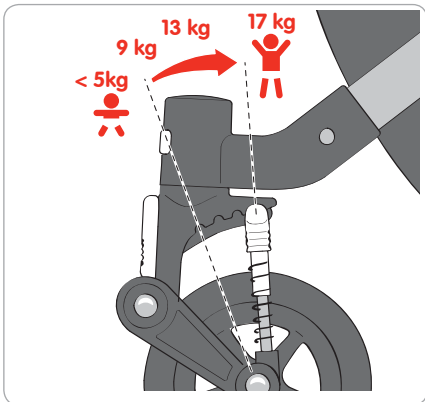
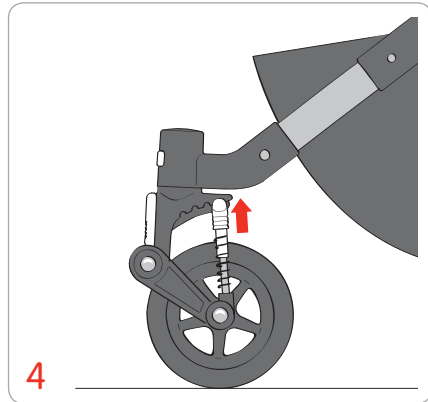
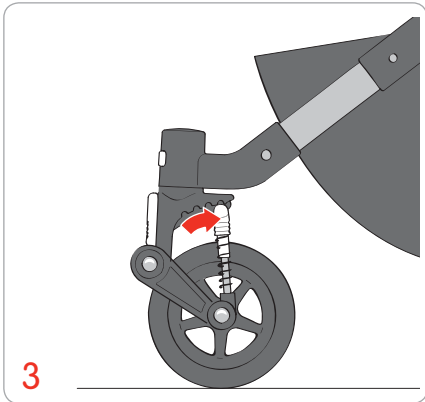
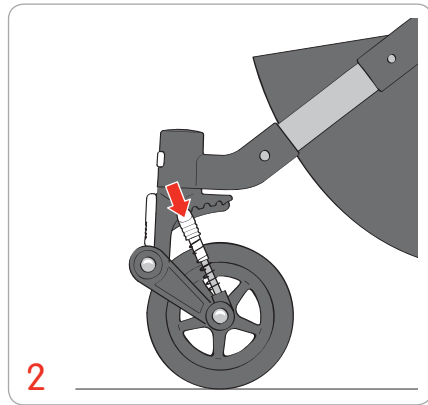
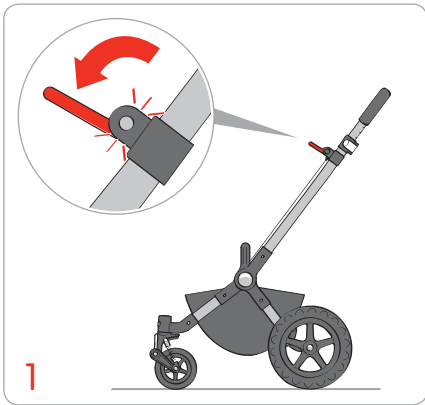




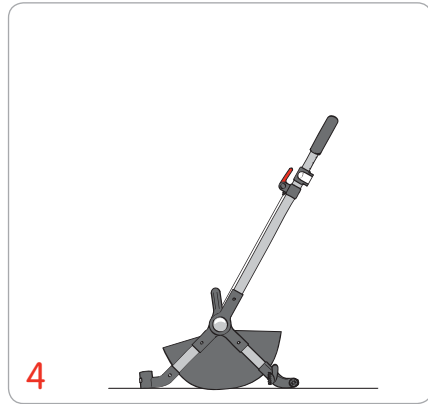
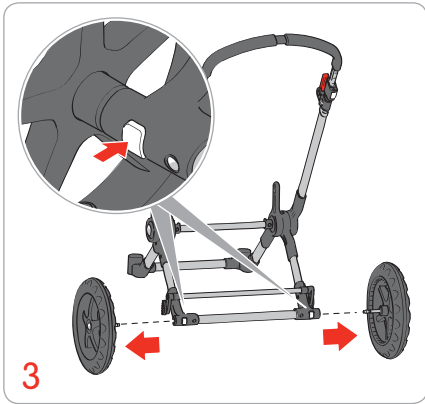
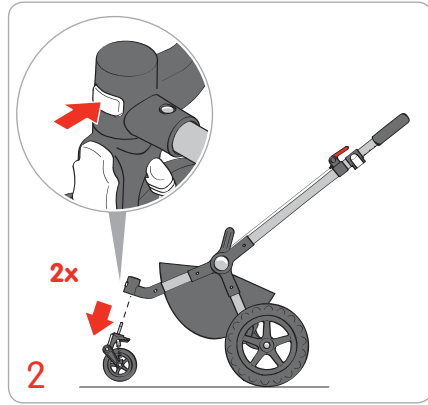
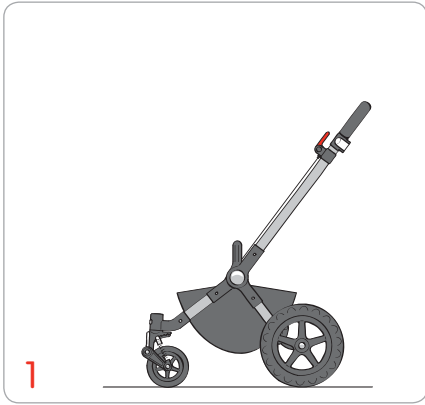


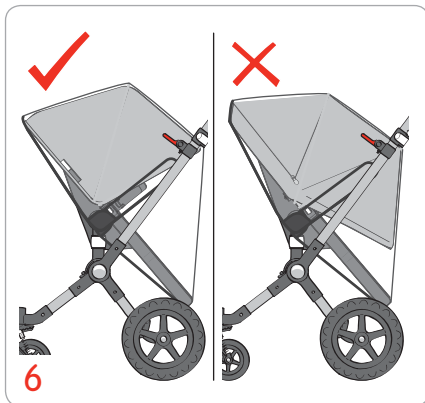
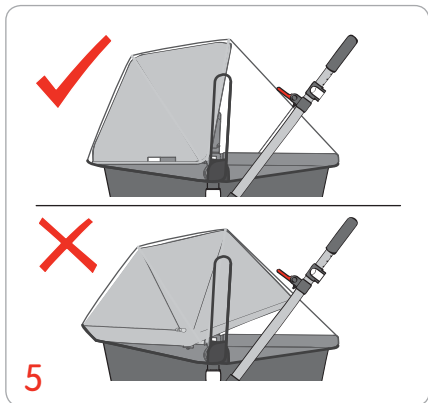
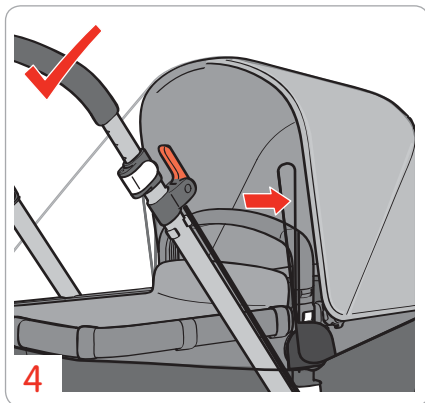
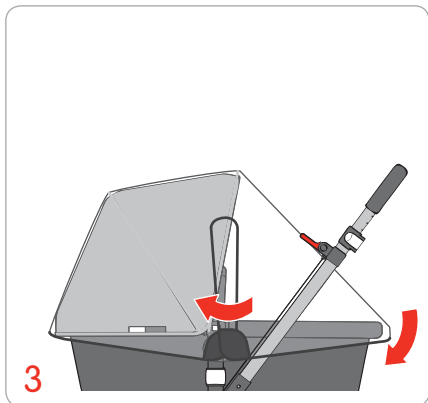
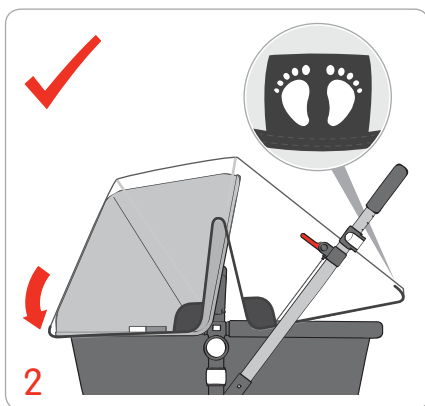
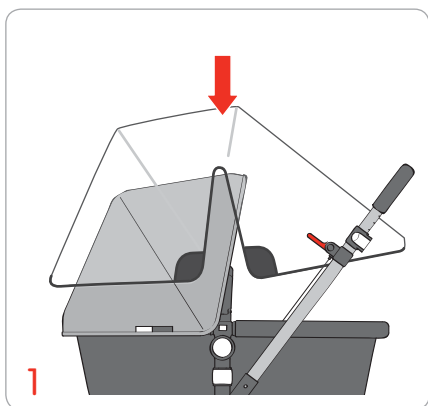














**bugaboo europe & asia**

bugaboo international bv  
paasheuvelweg 9 a-b  
1105 be amsterdam zuidoost  
the netherlands

**bugaboo americas**

bugaboo north america inc  
po box 2051  
manhattan beach, ca 90267  
usa

**bugaboo australia**

bugaboo australia Pty Limited  
service department suite 2 level 2  
156 edgecliff road woollahra, nsw 2025  
australia

[www.bugaboo.com](http://www.bugaboo.com)