

FAB28LX1

50's Retro style

50's Retro Style Refrigerator-Freezer,
Silver, Left Hand Hinges
Energy Efficiency Class A++

EAN13: 8017709158330

Gross capacity: 256 liters

Adjustable thermostat

Nominal power: 90W

Energy consumption: 180 kWh/y

Climate class: T

Freezing capacity: 2kg/24h

Noise level: 39 dB re 1 pw

Conserves food up to 12h without mains electricity

Refrigerator:

Fresh food capacity: 222 liters

Automatic defrost

3 Adjustable glass shelves

1 Glass fruit and vegetable container

1 Chrome wine rack

1 Fruit and vegetable draws

Hidden evaporator

Internal light

Door storage:

1 Bottle shelf

1 Egg tray

3 Adjustable shelves with transparent lids

Freezer ****:

Frozen food capacity: 26 liters

1 ice cube tray

1 Motor

NB: space to be left for 90° door opening: 77cm (handle included)

When positioning these appliances adjacent to a wall or kitchen unit a gap of 175mm must be left on the hinged side of the product to allow the door to open.



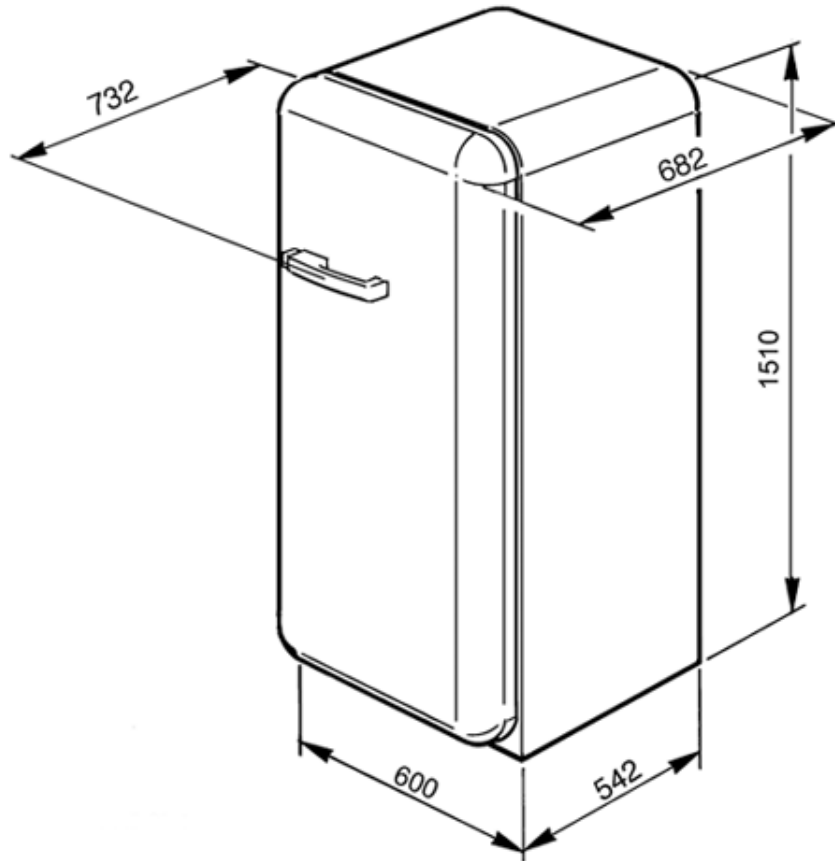
Versions

- **FAB28RX1** - Silver, hinges on the right
- **FAB28RAZ1** - Pastel blue, hinges on the right
- **FAB28LAZ1** - Pastel blue, hinges on the left
- **FAB28RB1** - White, hinges on the right
- **FAB28LB1** - White, hinges on the left
- **FAB28RBL1** - Blue, hinges on the right
- **FAB28LBL1** - Blue, hinges on the left
- **FAB28RBV3** - Black velvet, hinges on the right
- **FAB28LBV3** - Black velvet, hinges on the left
- **FAB28RCG1** - Chocolate, hinges on the right
- **FAB28LCG1** - Chocolate, hinges on the left
- **FAB28RCS1** - Colour stripe, hinges on the right
- **FAB28LCS1** - Colour stripe, hinges on the left
- **FAB28RDB** - Blue Denim, hinges on the right
- **FAB28RDG** - Gold, hinges on the right
- **FAB28RG1** - Yellow, hinges on the right
- **FAB28LG1** - Yellow, hinges on the left
- **FAB28RIT1** - Tricolore, hinges on the right
- **FAB28LIT1** - Tricolore, hinges on the left
- **FAB28RNE1** - Black, hinges on the right
- **FAB28LNE1** - Black, hinges on the left
- **FAB28RO1** - Orange, hinges on the right
- **FAB28LO1** - Orange, hinges on the left
- **FAB28RP1** - Cream, hinges on the right
- **FAB28LP1** - Cream, hinges on the left
- **FAB28RR1** - Red, hinges on the left
- **FAB28LR1** - Red, hinges on the left
- **FAB28RRO1** - Pink, hinges on the right
- **FAB28LRO1** - Pink, hinges on the left
- **FAB28RUJ1** - Union Jack, hinges on the right
- **FAB28LUJ1** - Union Jack, hinges on the left
- **FAB28RV1** - Pastel green, hinges on the right
- **FAB28LV1** - Pastel green, hinges on the left
- **FAB28RVE1** - Lime green, hinges on the right
- **FAB28LVE1** - Lime green, hinges on the left



FAB28LX1

50's Retro style
refrigerator
free standing
single door
silver
60 cm
energy rating A++



SMEG S.p.A.
Via Leonardo da Vinci, 4
42016 Guastalla (RE)
Tel. 0522 821 1