

VICTA[®]

Not for Reproduction

V82VGT (1696788)

CORDLESS

**82V LITHIUM ION
GRASS TRIMMER**

RAPID TRIMMER

OPERATOR'S MANUAL



WARNING! Read this manual before operating your product.



IMPORTANT NOTES

Details

Thank you for purchasing your Victa product. Victa prides itself in the quality and performance of all its products.

This instruction manual will aid in the assembly, safe operation and maintenance of your product.

Please read the following warnings to ensure safety and the long life of your product.

WARNING

Do not attempt to operate this product until you have read thoroughly and understood completely all instructions, safety rules, etc., contained in this manual. Failure to comply may result in accidents involving electric shock, fire, and/or serious personal injury. Harness should always be worn to ensure correct ergonomics when operating the grass trimmer.

INTENDED USE

This product is intended for domestic grass trimming only. This product is not intended for brushcutting or commercial use.

Do not use the product for any task, except for that which it is intended.

General safety



Warning!



Beware of electric shock hazard when charging.



Read the directions for use before operating the machine.



Read the directions before carrying out any maintenance work.



Wear safety goggles and ear protection that meet safety standards.



Wait for all components of the machine to completely stop & remove the battery.



Wear sturdy, non-slip footwear.



Do not use rigid cutting disk.



Wear safety gloves.



Class 9 'LI-ION' dangerous good. Contact local authorities for shipping requirements.



Do not use machine in wet conditions, protect the machine from rain and damp.



Should NOT be disposed of with house hold items.



Be careful of objects being thrown out! Ensure bystanders are kept at least 50' (15m) away & stop the machine if approached.

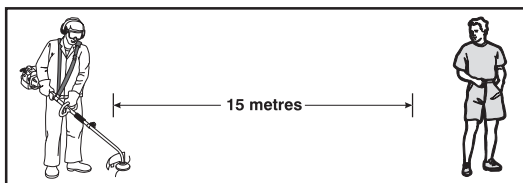











Table of Contents

	Features & Definitions		
		Features & Supplied Items	3
	Safety & Handling		
		General Safety	4
		Product Disposal	5
	Assembly Procedures		
		Unpacking	5
		Fitting the Harness	5
		Fitting the Trimmer Shaft	6
		Fitting the Trimmer Guard	6
		Fitting the Front Handle	7
	Operating Instructions		
		Line Trimmer Cut-off Blade	7
		General Operation	7
		Starting & Stopping	8
		Cutting Tips	9
	Maintenance & Care		
		Cleaning	9
		Storing	9
		Trimmer Line Replacement	10
		Maintenance Chart	12
		Service	12
	Troubleshooting		
		Troubleshooting	13
	Technical Specification		
		Product Specification	14

NOTE: WARRANTY DETAILS ARE NOT WRITTEN WITHIN THIS OPERATOR'S MANUAL. REFER TO OTHER DOCUMENTS SUPPLIED WITH THIS MACHINE FOR WARRANTY DETAILS. THE WARRANTY DOCUMENTS MAY INCLUDE TECHNICAL SPECIFICATIONS THAT ARE SPECIFIC TO EACH MODEL THAT ARE NOT WRITTEN WITHIN THIS OPERATOR'S MANUAL.



FEATURES & DEFINITIONS

Features & Supplied Items

NOTE: Refer to Fig. 1.

- 1 Battery Port with Battery Release Button
 - 2 Rear Handle
 - 3 ON/OFF Button
 - 4 Trigger Lock
 - 5 Trigger
 - 6 High/Low Speed Button
 - 7 Harness Connection Point
 - 8 Front Handle
 - 9 Upper Shaft
 - 10 Coupling
 - 11 Lower Shaft
 - 12 Guard
 - 13 Bump Head
 - 14 Harness
 - 15 Briggs & Stratton 82V Rapid Charger (not included all models - refer to packaging)
 - 16 Briggs & Stratton 82V 2Ah Battery (not included all models - refer to packaging)
 - 17 Briggs & Stratton 82V 4Ah Battery (not included all models - refer to packaging)
- Grass Trimmer Operator's Manual (not shown)
 - Briggs & Stratton 82V Rapid Charger Operator's Manual (if appropriate, not shown)
 - Briggs & Stratton 82V Battery Operator's Manual (if appropriate, not shown)

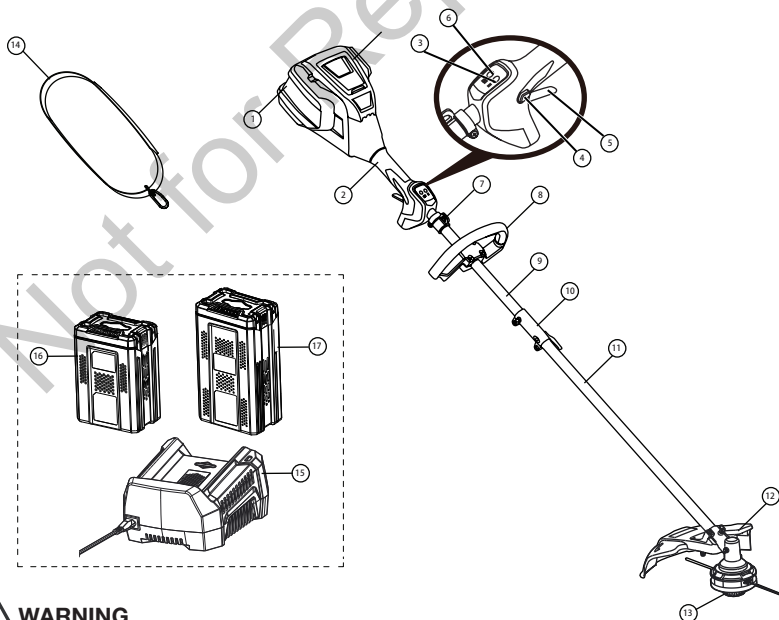


Fig 1

WARNING

Do not operate the product if any component is missing or damaged. Have any missing or damaged components repaired or replaced.



General Safety

- Carefully read all instructions on the machine and in the manual before attempting to assemble and operate the machine. Keep this manual in a safe place for future reference, and consult it regularly. Ensure other users read this manual and are aware of the product safety risks
- The machine should be operated only with a genuine Briggs & Stratton 82V Max Lithium-Ion battery. When using battery operated machine basic safety precaution should always be followed to reduce the risk of leaking batteries and personal injury.
- Become familiar with all controls and their proper operation before using the machine. Know how to stop the machine and how to disengage the power in an emergency.
- Thoroughly inspect the area where the machine is to be used. Remove all stones, sticks, wire, bones, toys, and other objects that could be tripped over or thrown by the cutting mechanism. Thrown objects can cause serious personal injury.
- Always wear a face mask or a dust mask when operating the machine in a dusty environment.
- Always wear appropriate clothing & do not wear loose clothing (or jewellery etc) that can get caught in moving parts.
- Do not operate this machine in bare feet, or while wearing sandals or lightweight (e.g. canvas shoes) Wear long trousers & heavy shoes.
- Do not operate the machine while under the influence of alcohol or drugs.
- Stay alert & do not operate the machine when you are tired. Pay attention to what you are doing and ensure others are aware of your task intentions before commencing.
- Avoid using the machine dangerous environments. Only use the machine in daylight or in good artificial light.
- Do not use the machine in a rush. Always walk & never run with the machine.
- Before inspecting, adjusting, servicing or cleaning the machine, always stop & remove the battery.
- If the machine starts to vibrate excessively, discontinue use until the machine has been inspected and assessed. Having a machine assessed for vibration problems generally reduces the risk for injury or product failure.
- Don't force the machine beyond its cutting capacity. The machine will perform better and safer if allowed to cut at the pace for which it is rated for.
- Do not use the machine indoors. Only store the machine indoors in a dry & secure location. Keep the machine out of reach of children.
- Always maintain the machine according to the maintenance section of this manual
- If machine strikes a foreign objects, always inspect for damage.
- Do not allow children or impaired persons to operate the machine.
- Use extreme care when approaching blind corners, doorways, shrubs, trees, or other objects that may obscure your view & the path of the machine.
- Do not use the machine near hot ash, combustible materials or immerse in liquids. This may cause fire hazard, serious injury or product damage.
- Do not put any object into ventilation grills. Do not use with any openings blocked, keep openings free from anything that may reduce air flow to the motor.
- Do not point the machine in the direction of people or pets.
- Avoid trees and shrubs. Tree bark, wood moldings, siding, and fence posts can easily be damaged by the line.
- Product must be completely assembled before attempting to start the machine.



SAFETY & HANDLING

Product Disposal

CORRECT DISPOSAL OF THE PRODUCT



Waste electrical products should not be disposed of with household waste. Please recycle where facilities exist. Check with your local authority or retailer for recycling advice.

The battery contains material which is hazardous to you and the environment. It must be removed and disposed of separately at a facility that accepts lithium-ion batteries.



Refer to **Briggs & Stratton 82V Lithium Ion Battery and Charger Operator's Manuals** for further information relating to battery and charger disposal.

Emergency Contact

In the rare case a battery is damaged & any of the contents leaks or comes into contact with a persons skin, eyes, or is ingested, follow the first aid instructions inside the battery & charger manual. Seek further medical attention immediately.



ASSEMBLY PROCEDURES

Unpacking

This product requires assembly.

- Carefully remove the product and any accessories from the box. Make sure that all items listed in the packing list are included. Refer to page 3.
- Do not discard the packing material until you have carefully inspected and ensured product is in correct operating condition.



WARNING

Do not attempt to modify this product or create accessories not recommended for use with this product. Any such alteration or modification is misuse and could result in a hazardous condition leading to possible serious personal injury.

Do not operate the machine unless assembly is complete including guards, handles & harness.

Fitting the Harness

NOTE: Refer to Fig. 2.

The harness is intended to help you work safely while maintaining correct ergonomic position when using the grass trimmer.

- Hook the strap into into the harness connection point (1).
- Slip the strap over the shoulder.
- Set the length of the shoulder strap in such a way that the trimmer head runs parallel to the ground. In order to establish the optimum length of the strap, you should then make a few swinging movements without starting the product.

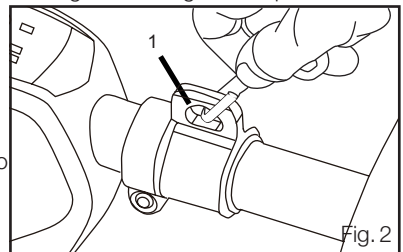


Fig. 2



Fitting the Trimmer Shaft

NOTE: Refer to Fig. 3.

Before commencing this assembly, remove battery from product - if inserted.

- Loosen the coupling knob (2) on the coupling (3).
- Push in the release button (1) located on the lower tube. Align the button with the positioning hole on the coupling.
- Slide the lower tube into the upper shaft coupling until the release button engages in the positioning hole.
- Tighten the coupling knob firmly.

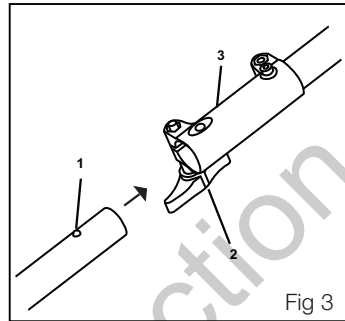


Fig 3

WARNING

Do not use the grass trimmer with any attachments unless certified by Victa to operate with this machine.

Do not operate or fit battery before the shaft is completely assembled. Take care when fitting and tightening. Beware of pinch points.

Fitting the Trimmer Guard

NOTE: Refer to Fig. 4.

Before commencing this assembly, remove battery from product - if inserted.

- Remove the battery.
- Invert the line trimmer to access the trimmer head.
- Using a Phillips head screwdriver, remove the pre-installed screws (1) from the trimmer head.
- Place the guard (2) on to the trimmer head and slide the guard onto the head by following the track on the head.
- Align the screw holes on the guard with the screw holes on the trimmer head.
- Insert the screws into the trimmer head, fastening the guard in place.

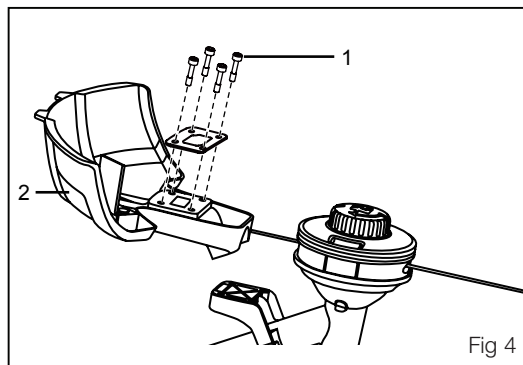


Fig 4



ASSEMBLY PROCEDURES

Fitting the Front Handle

NOTE: Refer to Fig. 5.

- Loosen the four screws (1) in the handle (2) with a Phillips screwdriver (not included) and remove the screws from the handle.
- Attach the front handle and lower clamp (3) on the shaft.
- Adjust handle up or down, if necessary, to desired operating position.
- Tighten the four screws so that the handle cannot be rotated on the shaft.

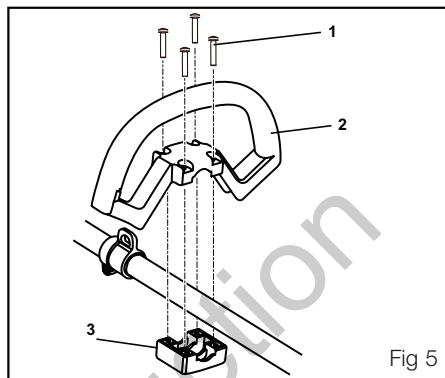


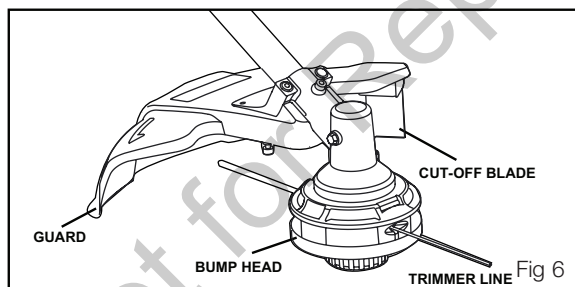
Fig 5



OPERATING INSTRUCTIONS

Line Trimmer Cut-off Blade

NOTE: Refer to Fig. 6.



WARNING

Cut off blade is sharp.

The trimmer is equipped with a line trimming cut-off blade on the trimmer guard.

Replace the cutting blade when cut-off efficiency diminishes.

This will maintain best performance.

General Operation

Hold the trimmer with your right hand on the rear handle and your left hand on the front handle. Keep a firm grip with both hands while in operation. The trimmer should be held at a comfortable position with the rear handle about hip height. Always operate the trimmer at full throttle. If debris becomes wrapped around the cutting head, release the trigger, remove battery and then remove the debris.

WARNING

- Motor housing may become hot during operation. Do not rest or place your arm, hand, or any body part against the motor housing during operation.



Starting & Stopping

TRIGGER LOCK BUTTON

NOTE: Refer to Fig. 8.

The trigger lock button reduces the possibility of accidental starting. The trigger lock button must be depressed before you pull the trigger. The lock resets each time the trigger is released.

STARTING the trimmer:

- Press the ON/Off button to power on the trimmer. **(Refer to Fig. 7).**
- Depress the trigger lock button (1).
- Squeeze the trigger (2). The trigger lock can now be released.
- Press high speed button to increase speed depending upon grass condition. Two LED's will illuminate above the high speed button indicating that the trimmer is in the high speed setting.

STOPPING the trimmer:

- Release the switch trigger.
- Allow cutting head to come to a complete stop.
- Power off the trimmer by pressing the ON/OFF button.
- Remove battery from product.



Fig 7



Fig 8



OPERATING INSTRUCTIONS

Cutting Tips

NOTE: Refer to Fig. 9.

- Keep the trimmer tilted toward the area being cut; this is the best cutting area. Fig.9
- The trimmer cuts best when passing from right to left. This will avoid throwing debris at the operator. Avoid cutting in the danger area shown in figure 9.

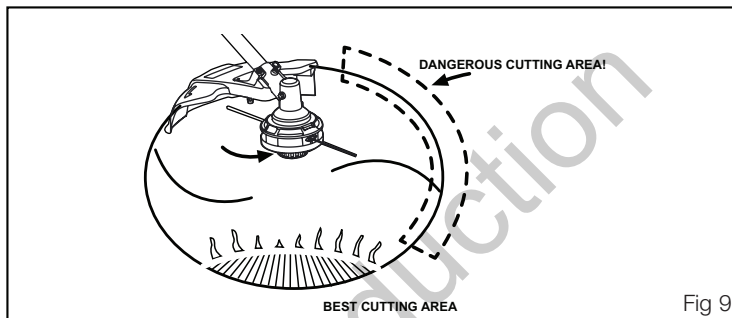


Fig 9



MAINTENANCE & CARE

Cleaning

WARNING

To prevent serious personal injury remove the battery from the machine before removing debris, cleaning, servicing or storing.

- Clean the unit using a damp cloth with a mild detergent.
- Do not immerse the machine or any part of it in water.
- Moisture can cause a shock hazard. Wipe off any moisture with a soft dry cloth & ensure the machine is dry before replacing the battery.
- Use a small brush or vacuum cleaner to clean the air vents on the product
- Keep the air vents free of obstructions.
- Do not use solvents, strong detergents, certain aromatic oils such as pine and lemon when cleaning plastic parts. Chemicals can damage, weaken or destroy plastic component which may result in serious personal injury.

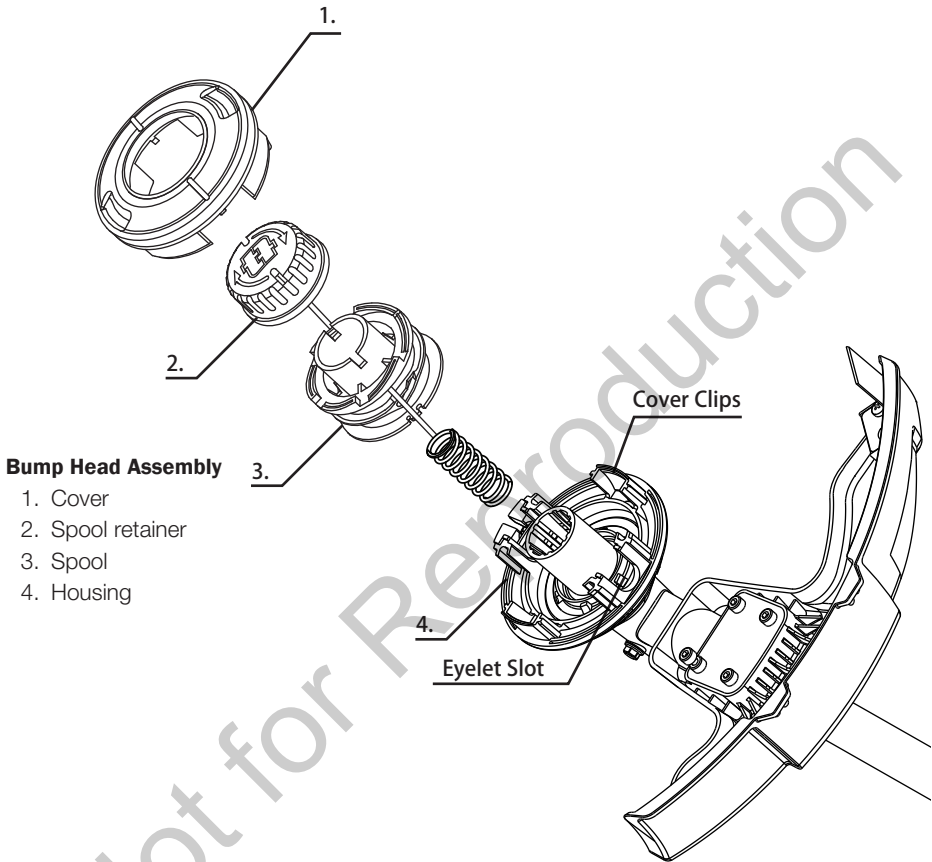
Storing

The following steps should be taken in order to prepare the machine for storage.

- Remove the battery prior to storage.
- Clean the machine as described in the previous section.
- Store the machine and battery indoors, in a cool, dry, clean location.
- Store the machine out of reach of children.
- Do not store the machine next to corrosive materials such as fertilizer or fuel.



Trimmer Line Replacement



Bump Head Assembly

1. Cover
2. Spool retainer
3. Spool
4. Housing

NOTE: Refer to Fig. 10.

WARNING

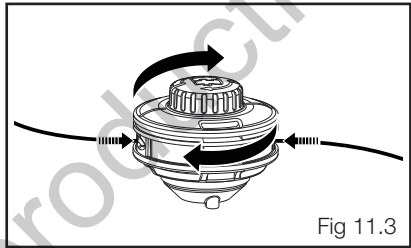
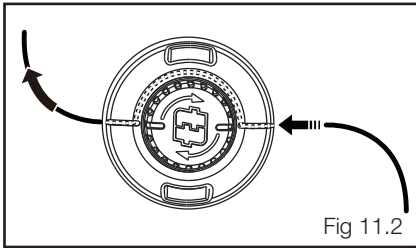
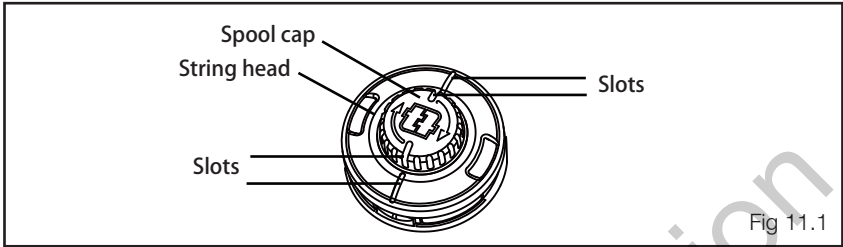
- Nylon line will deteriorate over time and may require replacement if line breakages and cut performance is not satisfactory
- Do not operate the bump head with parts missing such as the spring or eyelets
- Do not operate the bump head if the cover is not secured by the Cover Clips.
- Do not operate the bump head if components are damaged or excessively worn.
- Do not use rigid cutting disk, brush cutter blade or any other attachment on this product.

Fig 10



MAINTENANCE & CARE

Trimmer Line Replacement



1. Line up the slots on the spool cap with the slots on the string head.
2. Insert line through the string head hole. Push line until it exits the opposite string head hole.
3. Pull the line through until there is an equal amount of line on each side.
4. Turn the spool cap clock-wise to begin winding the string into the string head. Leave approximately 5 inches of string protruding out of each side of the head.

Not for Reproduction



Maintenance Chart

Refer to the following table for routine maintenance.

Features	Requirements	Before	After finish	Recharging	Monthly	Yearly	If damaged	As required
Trimmer	Visual inspection	●		●				
Trigger	Check operation	●						
Trigger lock	Check	●						
Battery release button	Check	●						
Cutting head assy	Check & clean		●					●
Gear box	Grease (straight shaft)					●		●
Ventilation grills	Clean		●					
Nylon line	Stock replacement					●		●
Bump head	Clean	●						
	Replacement						●	●
All accessible fasteners	Tighten	●						●

Service

Servicing requires extreme care and knowledge and should be performed only by a qualified service technician. For service we suggest you return the product to your nearest Authorized Service Dealer for repair. When servicing, use only genuine replacement parts.

- Keep the machine dry, clean, and free of oil and grease.
- In order to reduce the risk of fire, keep the motor free of grass, leaves, and debris build-up.
- Keep all nuts, bolts, and screws tight in order to be sure that the equipment is in safe working condition.
- Never tamper with safety devices. Check them regularly for proper operation.

NOTE: Refer to warranty card supplied with this product for service contact details.



TROUBLESHOOTING

Troubleshooting

PROBLEM	POSSIBLE CAUSE	SOLUTION
Trimmer fails to start when trigger depressed	Flat battery Battery disengaged Faulty battery	Recharge battery Refit battery Replace battery
Not cutting grass	No trimmer line in bump head	Replace line in bump head
Excessive vibration	Cut off blade worn Bumphead not fitted correctly Broken drive shaft	Replace cut off blade Refit bump head Replace drive shaft

Not for Reproduction



Product Specification

**CORDLESS
82V LITHIUM-ION GRASS TRIMMER
'RAPID CUT'**

Model	V82VGT
Function	Grass trimmer
Motor type	82V 800W DC brushless motor
Max motor speed	Low speed setting: 5,000 rpm, High speed setting: 5,500 rpm
Shaft type	Split, straight shaft
Cutting head	Dual Bump-feed head
Cutting width	16" (406mm)
Line type, diameter & profile	Nylon, 2.0 mm, twisted
Product weight (no battery)	5.2 Kg
Product weight (with battery)	6.6 kg (2 Ah Battery), 7.8 kg (4Ah Battery)
Noise ¹	65 dBA
Vibration ²	4.3 m/s ²

¹ Measured at 7.5m from unit.

² Value for use for assessment of user exposure. Actual vibration during use of the product may differ depending on actual

Not for Reproduction

©2016 Briggs & Stratton Power Products Group, LLC
Victa is a trademark of Briggs & Stratton Australia Pty. Ltd.

ABN 13 006 576 856

All rights reserved. No part of this booklet may be reproduced by any means without prior written permission. All information herein is subject to change without notice.