

OWNER'S MANUAL



Welcome to the future of hot water.

DYNAMIC- SS/X8/OP

DYNAMIC - SS/X8/C

Congratulations on purchasing your new **HYDR****THERM**<sup>®</sup> system.

You are now the proud owner of Australia's best value, best performing heat pump. We spent over three years designing and developing the Hydrotherm range to ensure that each unit will provide years of trouble free operation. However, in order to perform optimally it is important to ensure that your Hydrotherm is installed and operated inline with the instruction found in this manual. Once operational there is little you need to do, except enjoy plenty of affordable hot water.

# CONTENTS

Symbols used in these instructions  
Observe the following safety instructions:



Please Note:  
Warning about possible dangers.



Note:  
Important information and tips.



Note: Carefully read these operating and installation instructions and keep them safe. Should the equipment change hands, pass these instructions to the subsequent owner. Pass them to the trained contractors for servicing purposes.



For Outdoor use, or if its installed inside minimum 15m<sup>3</sup> room volume



The Ambient of the appliance to be used is -5°C to 35°C



Positioning, installation and commissioning must be carried out by trained personnel working in accordance with these operating and installation instructions.

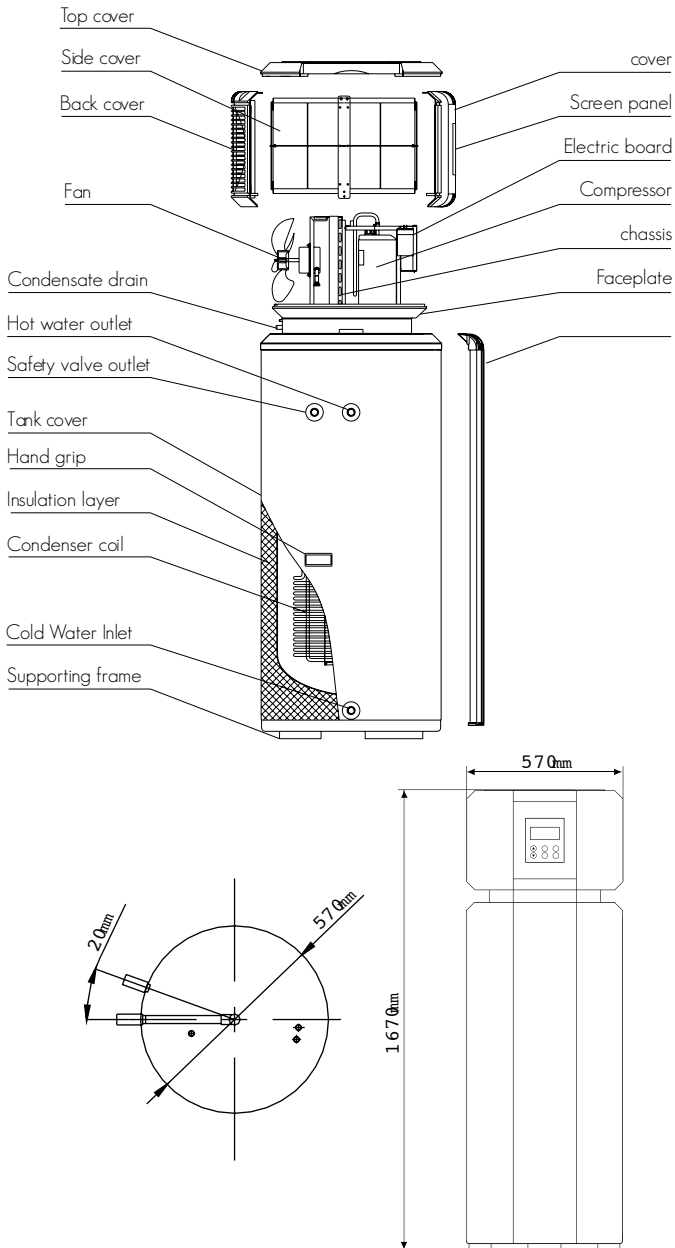


**WARNING:**  
This appliance is not intended for use by persons (including children) with reduced physical sensory or mental capabilities, or lack of experience and knowledge, unless they have been given supervision or instruction concerning use of the appliance by a person responsible for their safety. Children should be supervised to ensure that they do not play with the appliance. The appliance shall be installed in accordance with national wiring regulations.

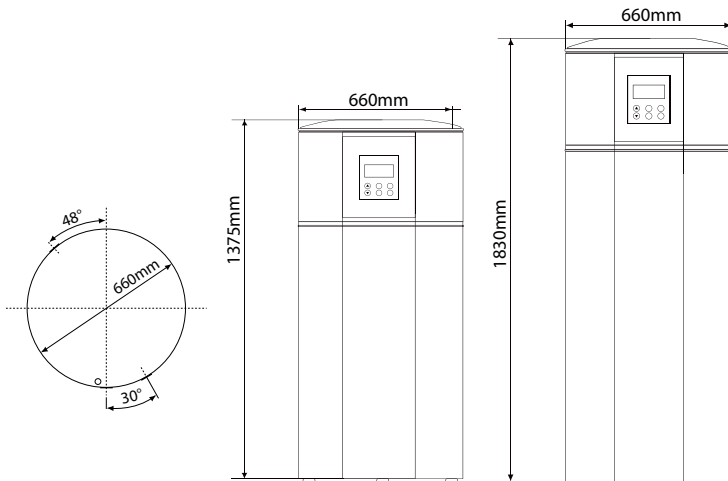
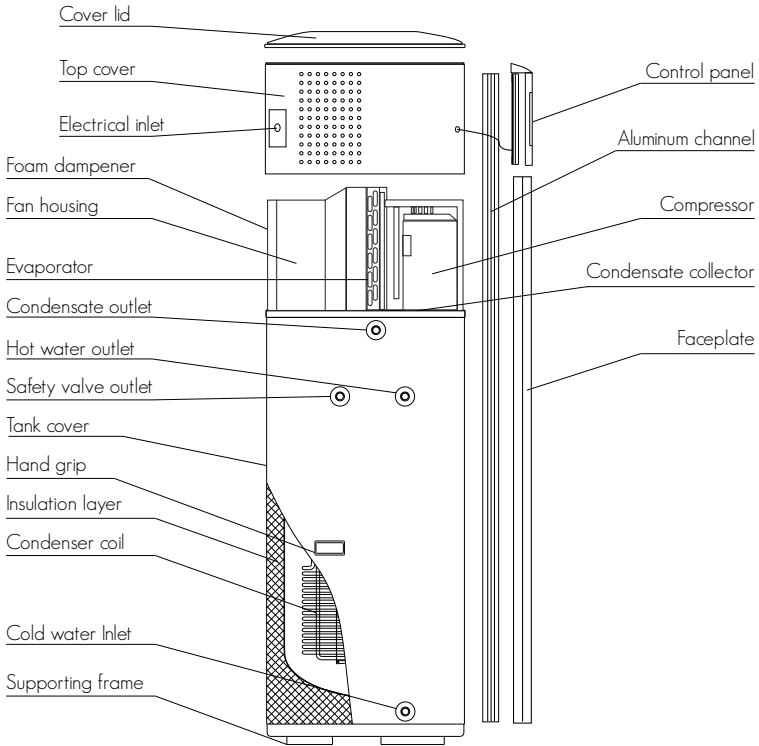
1.0 PARTS & CONSTRUCTION SCHEMATIC.....	4
1.1 Heat Pump Schematic	
1.2 Heat Pump Tank Schematic	
2.0 INSTALLATION INSTRUCTIONS.....	6
2.1 Delivery	
2.2 Location	
2.3 Airflow	
2.4 Noise	
3.0 PLUMBING SCHEMATICS.....	8
3.1 VOLT Connection Dimensions & Components	
3.2 DYNAMIC Connection Dimensions & Components	
4.0 PLUMBING INSTALLATION.....	10
5.0 ELECTRICAL CONNECTIONS.....	12
5.1 Electrical Schematic	
5.2 Pre-Connection & Regulations	
5.3 Hard Wiring the System	
6.0 COMMISSIONING THE SYSTEM.....	14
7.0 OPERATION PANEL INSTRUCTIONS.....	16
7.1 Control / Display Interface	
7.2 Display Panel	
7.3 Setting The Clock	
7.4 Timers	
7.5 F11 Maximum Temperature Setting	
7.6 F12 Temperature To Activate The Heat Pump	
7.7 Other Settings	
8.0 ERROR HANDLING.....	24
9.0 TROUBLE SHOOTING.....	25
10. SERVICE REPRESENTATIVE MAINTENANCE.....	26
11. WARRANTY.....	27

# 1.0 PARTS & CONSTRUCTION SCHEMATIC

## 1.1 SCHEMATIC VOLT-SS/X6/OP



## 1.2 SCHEMATIC DYNAMIC-SS/X8/OP AND RAPID-SS/X4/OP

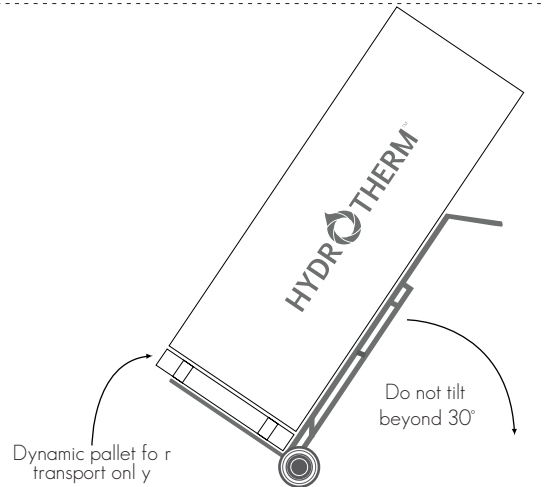


## 2.0 INSTALLATION INSTRUCTIONS

All Hydrotherm heat pumps are designed for installation by a licensed plumber in accordance with standards set out in AS/NZS 3500.2 "National Plumbing and Drainage Code Hot Water Supply Systems - Acceptable Solutions"

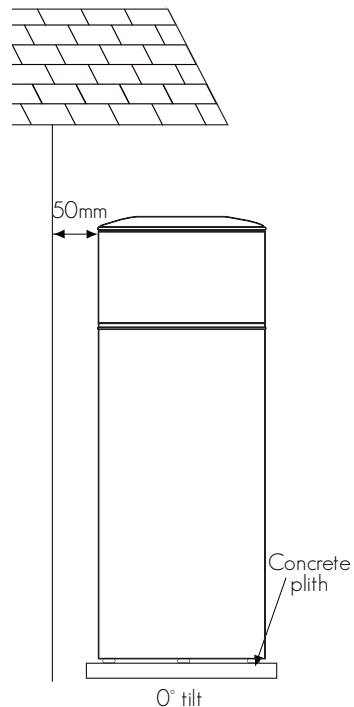
### 2.1 DELIVERY

- The Hydrotherm heat pump must be stored and transported in a near vertical position at all times with a tilt ratio of no more than 30°. Transporting or storing the unit in a horizontal position will void warranty.
- The weight of an unfilled unit is between 76kg-130kg. They must be handled by two people at all times to avoid unnecessary strain and damage.
- Please note the outer casing of the unit is susceptible to denting and damage. Care and consideration should be taken into account when moving the unit as any marks caused by inappropriate handling are not deemed as defects and are not covered under warranty.



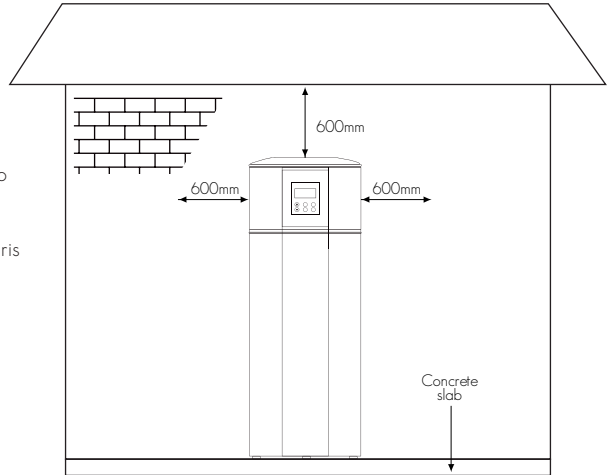
### 2.2 LOCATION

- The unit should be installed on a concrete plinth capable of sustaining weights in excess of 480kg. Proper drainage should be observed for any overflow in accordance with AS/NZS 3500.2.
- When installed the Hydrotherm unit must be completely vertical and level.
- If installed under fixtures or home eaves, there must be a minimum 600mm clearance between the top of the unit and the structure.
- To prevent circulation of cold air the Hydrotherm must be installed a minimum of 50mm off your homes wall.
- To ensure correct air flow the Hydrotherm must be installed with a minimum gap of 600mm (Dynamic) or 200mm (Volt) between any vertical structures.
- The Hydrotherm should be installed so that the control interface is accessible to users.



### 2.3 AIR FLOW

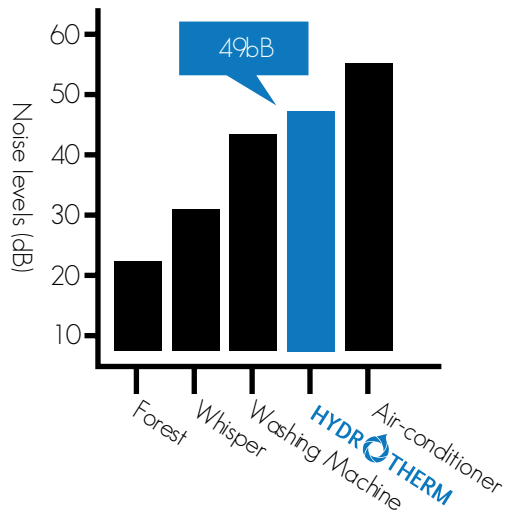
- This unit is designed for external operation only and requires a continuous supply of air to operate efficiently.
- Avoid installation in areas where falling debris such as leaves is prevalent as this may result in air vents being blocked or the unit being damaged.
- Avoid placing the system in locations with multiple walls or structures (diagram 1 & 2).
- Always maintain optimum perimeter from all structures.



### 2.4 NOISE

- The Hydrotherm range has been designed with the lowest possible running noise level (>49db) to ensure optimum comfort and minimum impact on living areas.
- Select a location that is removed from bedrooms if possible as it is likely the unit will function for a period of time during the night.
- If running noise becomes an issue, home owners can utilise the built in timer functionality to minimise operating hours to day time only. Ambient noise conditions are much more favorable in the day as oppose to night.

Noise levels



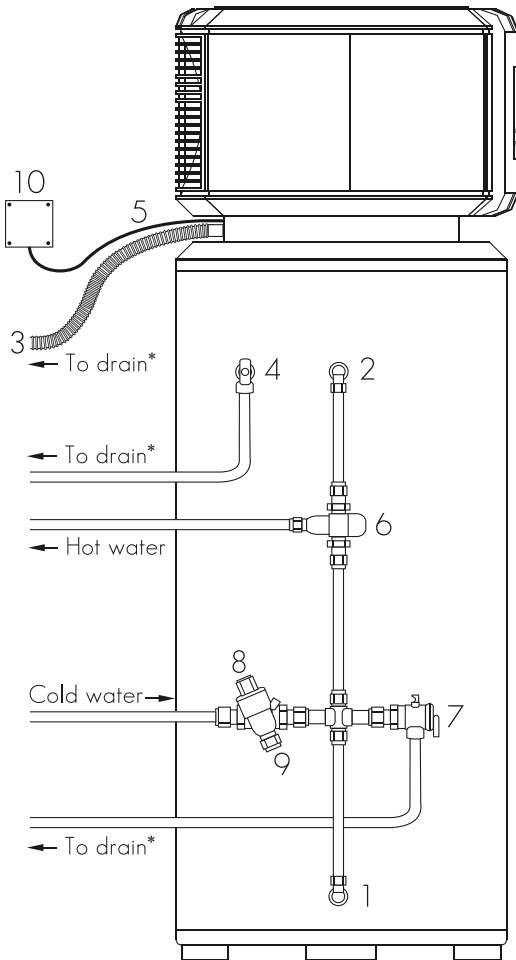
Note: When installing do not install less than 3 metres to a neighbour's window or door other than a garage door or shed.

## 3.0 PLUMBING SCHEMATICS



The following instructions and schematics have taken into account standards AS4324, AS4020, AS1056.1, AS/NZS2712, AS/NZ3350.240/30/30.2, AS3498 and represents an optimum installation procedure for this unit however to ensure minimum requirements are met all local regulations should be adhered too.

### 3.1 VOLT CONNECTION DIMENSIONS AND COMPONENTS



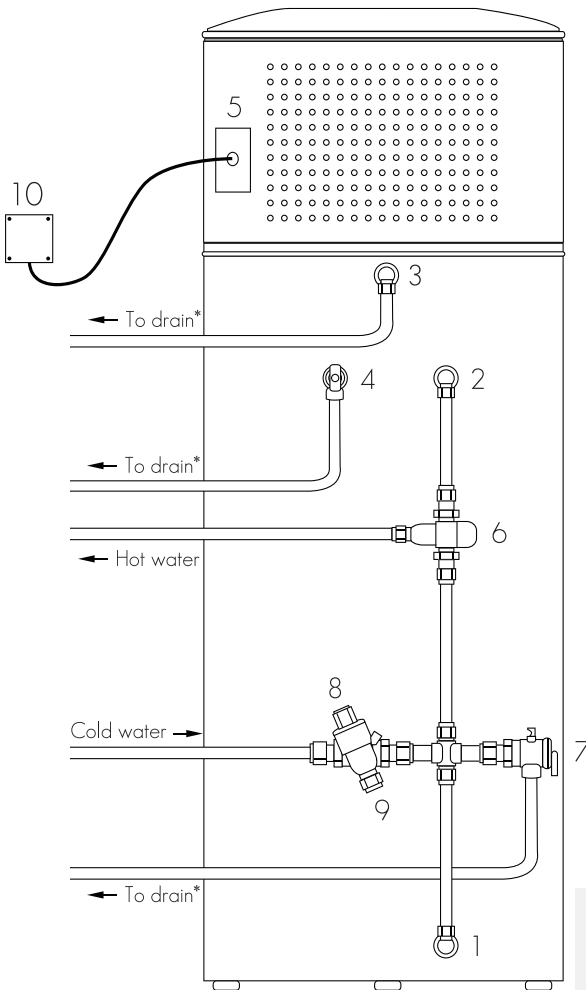
1. Cold water supply outlet (3/4" female thread)
2. Hot water outlet (3/4" female thread)
3. Condensate drain (20mm U.V stable piping)
4. P&T relief valve (3/4" female thread 700Kpa)
5. Electrical cable
6. Tempering valve (High performance)
7. Expansion control valve (If required by council 600Kpa)
8. Pressure reduction valve (500Kpa)
9. Non-return valve
10. Junction box (Hard wired into 10Amp circuit)



\*All lines must be run separately to storm water drain. Lines can not be connected to form a single run.



### 3.2 DYNAMIC AND RAPID CONNECTION DIMENSIONS AND COMPONENTS



1. Cold water supply outlet  
(3/4" female thread)
2. Hot water outlet  
(3/4" female thread)
3. Condensate drain  
(3/4" female thread)
4. P&T relief valve  
(3/4" female thread 700Kpa)
5. Electrical cable
6. Tempering valve  
(High performance)
7. Expansion control valve  
(If required by council 600Kpa)
8. Pressure reduction valve  
(500Kpa)
9. Non-return valve
10. Junction box  
(Hard wired into 10Amp circuit)



\*All lines must be run separately to storm water drain. Lines can not be connected to form a single run.

# 4.0 PLUMBING INSTALLATION

## PLUMBING CONNECTIONS

### 1. Cold Water Supply Outlet

- The cold water supply connection is a 3/4" female thread.
- The cold water supply should be connected to RP 3/4" socket.
- The cold water supply outlet can also act as a drainage point for emptying the system.

### 2. Hot Water Connections

- The hot water supply connection is a 3/4" female thread.
- The hot water supply should be connected to RP 3/4" socket.
- To ensure thermal efficiency all hot water lines and connections must be insulated with a minimum 13mm closed cell insulation.
- All hot water supply parts must be constructed from copper. If using pipe of other material please refer to local authorities for further instructions.

### 3. Condensate Drain

- The process of heat extraction from the atmosphere through evaporator coils results in the production of water in the form of condensation. More humid environments will produce higher rates of condensation.
- To collect this water by-product a Condensate Tray is located on top of the water storage tank. Overflow from this tray runs out through the Condensate Drain and supplied hosing.
- The Volt model condensate hosing is constructed from 25mm UV stable plastic and must be connected to condensate outlet by the supplied hose clamp. The hose can be connected to another PVC or copper pipe, if further length is required to reach drainage.
- The Dynamic model condensate connection is a 3/4" female thread, a RP 3/4" elbow socket should be connected and 15mm copper piping used to transport condensate to nearest drain outlet.
- The condensate lines for both models must run to the nearest drain point. The condensate lines for both models must not be connected into the PTR or ECV drainage lines, doing so will void all warranties.
- Ensure the condensate pipe remains free of kinks and is running down to ensure the free flow of water.

### 4. Pressure & Temperature Relief Valve

- The system is supplied with a loose Pressure & Temperature valve appropriate to the pressure rating of the water heater tank. If the PTR valve is not present please contact your supplier. The valve rating is: 700kPa.
- The supplied PTR valve must be installed at point 4 in the installation schematics under the socket marked RELIEF VALVE.
- The PTR valve must be insulated with a minimum 13mm closed coupled insulation, to minimize heat lost.
- The relief valve must be installed so that the drain line is facing downwards at all times with the discharge point remaining open to the atmosphere.



#### IMPORTANT:

A discharge pipe connected to the pressure-relief device is to be installed in a continuously downward direction and in a frost-free environment. Warning: Do not connect any pressure-relief device to the vent pipe of this water heater. The water may drip from the discharge pipe of the pressure-relief device. This pipe must be left open to the atmosphere. The pressure-relief device is to be operated regularly to remove lime deposits and to verify that it is not blocked.

## 6. Tempering Valve

- This device is automatically programmed to produce hot water in excess of 50°C. As such in accordance with AS/NZS3500 it is mandatory that "Tempering Valve" is installed.
- We recommend a high performance or solar rated tempering valve is used to ensure a more accurate hot water delivery temperature.
- Your old hot water system might not have had a tempering valve installed before and therefore you will notice a change in the temperature of the hot water. This is normal and required under the new legislation. Should you have any concerns, please contact your installer.

## 7. Expansion Control Valve

- Observe the local requirements with regards to the installation of an ECV valve (optional in most counsels).
- When installing a ECV ensure that the connecting pipe has a diameter no greater than that of the safety valve.
- Ensure the drain is sized to allow for water runoff, even in incidents where the safety valve has been fully opened.
- The drain outlet must remain open to the atmosphere at all times and must not have a closing function.
- The recommended rating for the ECV valve is 600kPa, if PRV valve is 500kPa. If the PRV valve is 350kPa the ECV should be rated at 500kPa.

## 8. Pressure reducing valve (rated maximum 500kPa)

- The maximum inlet pressure to the system must be no more than 500kPa.
- A pressure reducing valve must be used in the direct cold water supply line feeding into the system.
- Should the system be subjected to pressures above 500kPa all warranties will be void.
- This water heater is supplied with a PTR valve rated at 700kpa and is designed for direct connection to mains water supply with a pressure not exceeding this rating. Should main pressure fluctuate above this rating, a pressure limiting device (AS1357) should be connected at point 8 in above schematic.

## 9. Non-return Valve

- It is recommended that a non-returning valve is installed directly into the cold water supply line feeding the system. This will allow the hot water system to be isolated from the rest of the homes water supply, making servicing, draining and replacing the unit easy.
- The non-return valve can be combined with a PRV valve to form a duo valve as shown in the above schematic.



### Filling The System

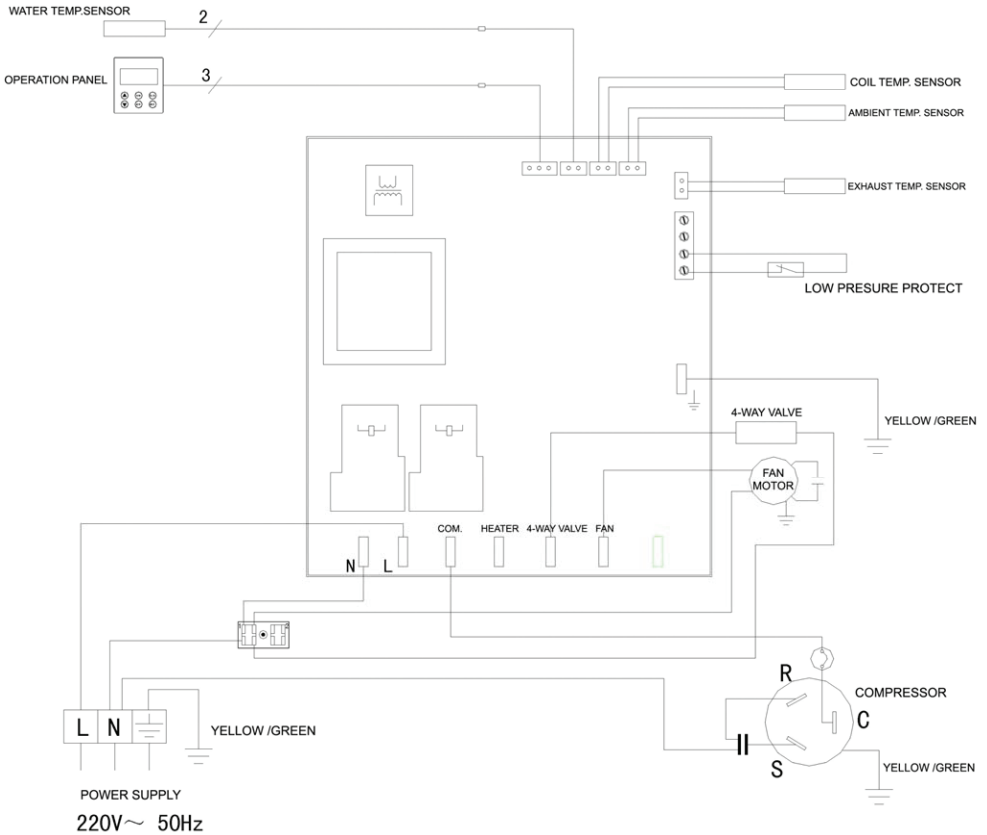
- Once the Hydrotherm has been connected to the properties plumbing as per instructions the tank can be filled and pressurised.
- Open the non-return valve on the cold water inlet to begin filling the system with water. At the same time insure at least one hot water tap is open inside the property. While the system begins filling with water you will hear air being expelled from the open hot water tap. This is called bleeding the system and insures there are no trapped air pockets. Once water begins running out of the hot water tap the system is completely bled and you can turn the tap off.
- Always ensure that the tank is completely full before connecting and turning on electricity supply.
- When the system has been left running but no hot water has been used for a period in excess it is recommended that hot water tap is left running for several minutes to ensure the dissipation of gases through the plumbing network. Please do not smoke or have naked flames present during this time.

# 5.0 ELECTRICAL CONNECTION



Only qualified electricians must carry out the installations of the Hydrotherm heat pump to main power accordance with the following instructions.

## 5.1 ELECTRICAL SCHEMATIC



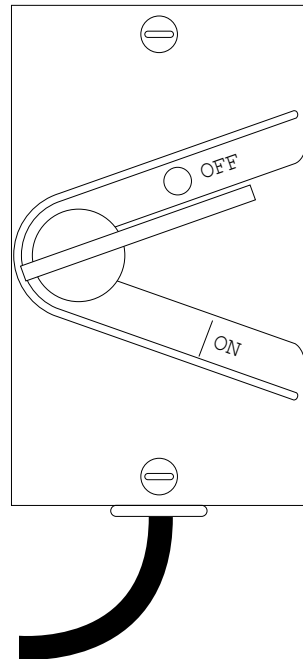
## 5.2 PRE-CONNECTION & REGULATIONS

- Before any work can commence ensure that the heater is isolated from the power supply at the control panel.
- The Hydrotherm heat pump is designed for permanent fixed wiring to a
  - CONTINUOUS TARIFF, single phase 240 volt AC supply
  - Tariff 33 (QLD only) single phase 240 volt AC supply.
- When connecting the unit work must comply with the local supply authority regulations as well as AS3000.
- The power rating of the unit is set at 10 amps as such the mains power supplying the unit must have a 10 amp minimum circuit breaker fitted.
- To gain access the electrician may remove the two connecting screws and raise the cover upwards off the unit base exposing electrical works.
- Note this device is fitted with an over-temperature control cut-out. Under no circumstances must the water heater be in operation without this safety device connected to the circuit. Re-setting and replacement of this device must only be carried out by a qualified electrical contractor.
- (AS/NZS 60335-1 Clause 7.12.2): disconnection must be incorporated in the fixed wiring in accordance with the wiring rules.

FUSE: 250V, T3.15A

## 5.3 HARD WIRING THE SYSTEM

- The Hydrotherm system is supplied with a 3 point earthed plug and may be run off a standard power socket or extension cord. Running the unit off the plug is only for short periods of time, for example when an electrician is delayed to your home.
- For continued long term operation the Hydrotherm system must be hard wired into an isolated 10amp circuit.
- We recommend having a qualified electrician remove the units plug and utilise the power supply cord to wire the system into a junction box.
- The junction box must be rated for outdoor use and should be fitted with an insulating switch as shown in the diagram.



Depending on model type and installation address, the Hydrotherm must be connected to either a continuous or shoulder tariff power supply. Please refer to your energy provider if you require further information.



If the supply cord is damaged, it must be replaced by the manufacturer, its service agent or similarly qualified person in order to avoid a hazard.

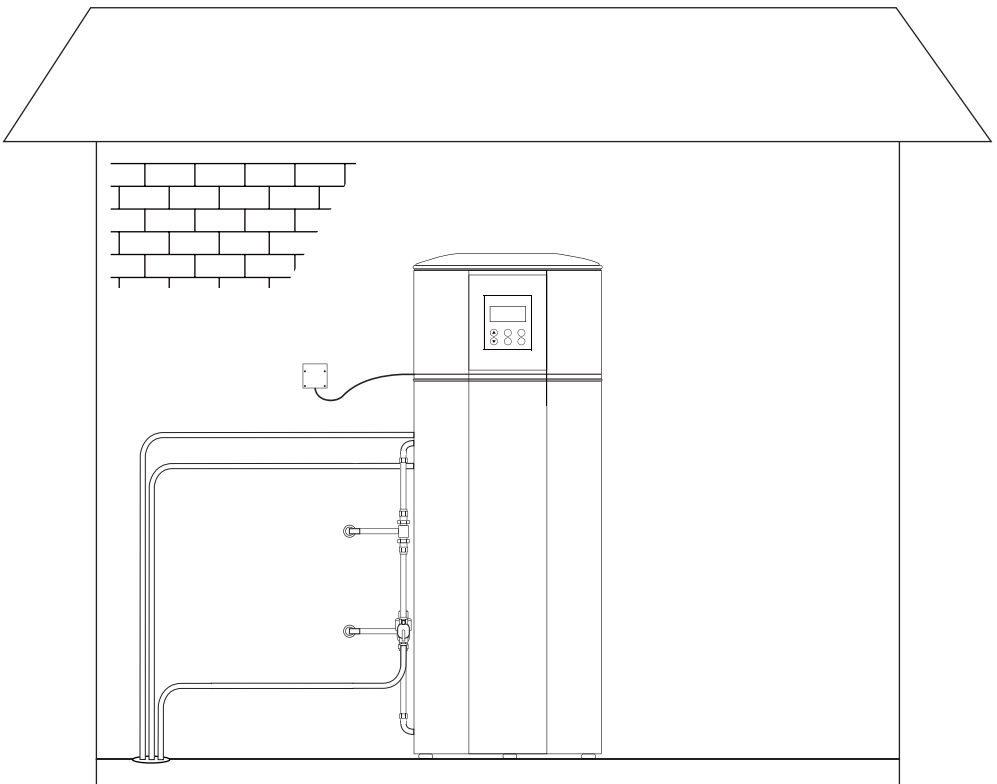


This appliance shall be installed in accordance with National wiring regulations AS.3000.

## 6.0 COMMISSIONING SYSTEM

### PRE-START PROCEDURES AND CHECKS

- Once both the electrical and plumbing connections have been completed by qualified trades person, the system is now ready for operation.
- Before turning the system on it is essential that you ensure the Heat Pump storage tank is full and the device thoroughly flushed.
- Bleed air from system via a hot water tap. Do not use a pressure and temperature valve.
- Ensure the device is resting on a smooth flat concrete plinth and that a condensate drain is installed from the condensate port to an appropriate drainage point.
- Ensure that your plumber has insulated with high temperature closed cell insulation to prevent heat loss.
- Ensure that air can flow freely around the intake vents.



**WARNING:** This appliance is not intended for use by persons (including children) with reduced physical sensory or mental capabilities, or lack of experience and knowledge, unless they have been given supervision or instruction concerning use of the appliance by a person responsible for their safety. Children should be supervised to ensure that they do not play with the appliance. The appliance shall be installed in accordance with national wiring regulations.

# CHECKBOX

- Make sure the unit is level.
- Ensure the condensate and PTR lines are separate to the drain.
- Ensure the condensate and PTR lines running down to allow the water to run off.
- Ensure the unit is connected to Tariff 11 or 33 in QLD.
- Ensure there is 600mm above the Dynamic to allow the lid to be removed for maintenance.
- Ensure there is 200mm above the Volt to allow the lid to be removed for maintenance.
- Ensure the unit has 50mm of space between the exterior of the tank and wall for air circulation.
- Ensure the unit is set at 60°C in F11 setting and the drop down temperature is 5-10°C in F12 setting. Please refer to section 7.0 in the user manual.
- Ensure the plumber has explained the purpose of the tempering valve.

Once you have carried out all these checks you are ready to switch on the unit.

# 7.0 OPERATION PANEL INSTRUCTIONS

## KEY FACTORS:

- All units should be set in Auto Mode unless the timers are required. To set the modes press the 'MODE' button, this will change it from 'AUTO MODE' to 'ECON MODE'. Press again if you want to revert back.
- Optimum temperature 60°C
- Temperature Differentiation 5°C (Heat Pump heating cycle begins at 55°C)
- Timers - Customise usage but be aware of temperatures, tariffs and usage patterns.

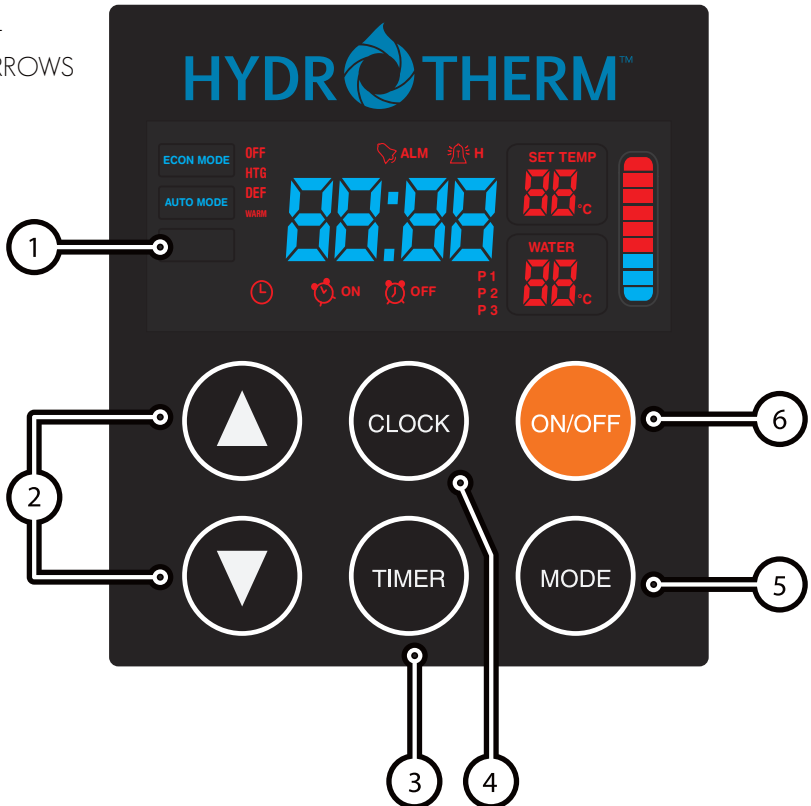
## ANY ISSUES OR QUERIES?

Please contact Hydrotherm [TOLL-FREE 1300 769 904](tel:1300769904)

## 7.1 CONTROL / DISPLAY INTERFACE

Located on the front of the Hydrotherm is the unit interface. It houses all controls and displays necessary to operate your new Hydrotherm Hot Water System. The legend below indicates all components referred to in this manual.

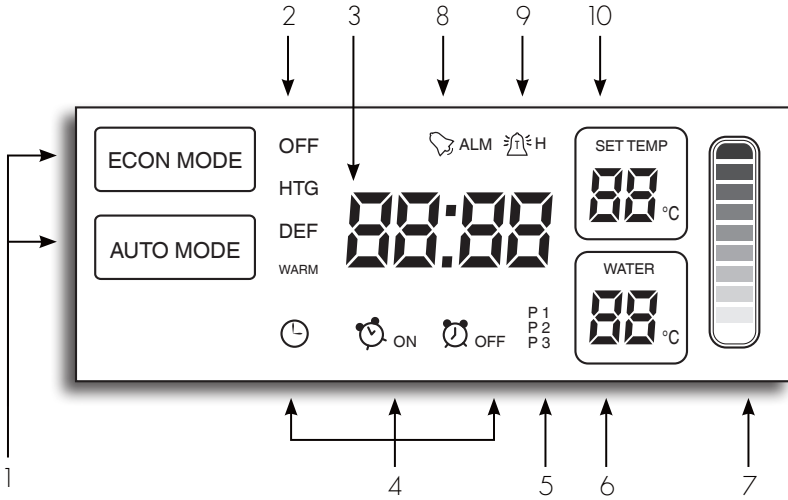
1. DISPLAY PANEL
2. UP/DOWN ARROWS
3. TIMER
4. CLOCK
5. MODE
6. ON/OFF





## 7.2 DISPLAY PANEL

All functions and settings of the Hydrotherm are displayed on the DISPLAY PANEL. When a function is active, it is lit up in either blue or red. Below, you can find the description of each function of the Hydrotherm and its location on the panel.



- 
- 1. 'WORKING MODE' - [ AUTO / ECON ]  
 AUTO - Automatic setting  
 ECON - Timer setting
  - 2. 'STATUS' - [ OFF / HTG / DEF / WARM ]  
 OFF - Unit is not operational  
 HTG - Heating the water, heater activated  
 DEF - Defrosting of the pipes and apparatus  
 WARM - The water is warm and ready for use
  - 3. 'CLOCK DISPLAY'
  - 4. 'TIMER' - [ ACTIVE / ON / OFF ]  
 ACTIVE - Indicates that a timer is has been set and activated  
 ON - Identifies the ON timer is being set  
 OFF - Identifies when the OFF timer is being set
  - 5. 'P1 / P2 / P3' - Three different timers that can be set
  - 6. 'WATER' - The current water temperature in the tank
  - 7. 'TEMPERATURE GRADIENT' - Shows the quantity of hot water in the tank available
  - 8. 'ALM' - Alarm representing a fault in the machine, contact your supplier
  - 9. 'H' - Alarm identifying water temperatures exceeding the temperature allowed
  - 10. 'SET TEMP' - Maximum temperature of the water in the tank, the heater cuts off once the water reaches this temperature

### 7.3 SETTING THE CLOCK

The correct time is necessary for the unit to operate in 'ECON MODE'. It is displayed in 24 hour format.

---

#### TO SET THE CLOCK:

1. Press 'CLOCK'. The hour digits will flash indicating they can be changed.



2. Use the 'ARROW' buttons to select the correct hour. To advance to minutes, press 'CLOCK'.



3. Use the 'ARROW' buttons to select the correct minutes. To finalise, press 'CLOCK'. The clock is now set.



---

### 7.4 TIMERS

The timer(s) function is available to allow the unit to work specifically for you. However it is very important when setting the timers that you take into consideration 3 key variances:

1. **TARIFF** - The tariff that your unit is connected to: 300L (shoulder or continuous tariff) / 190L (continuous tariff)
2. **HOT WATER USAGE** - Be aware of your peak usage and recovery times.
3. **TEMPERATURES & CLIMATES** - Ensure you allow enough time for the unit to heat in varying temperatures and humidity.

When considering the tariffs, the shoulder tariff ensures you will receive 18 hrs of electricity minimum a day. However, it can be during peak periods such as 7 - 9 am and 4 - 8 pm that the electricity is cut off. Therefore if your usage peaks during this period and you set a timer preventing the unit from switching on during the evening there is potential that the unit will run out of hot water the following morning following another peak. It is important to ensure you allow enough time for the unit to recover.

The unit is most efficient during the day because of the temperature, but often household peak use is during the evening and therefore the unit needs to recover over night to provide hot water the next morning. However, if there is a noise issue the unit can have multiple timers set, allowing it to work in the evening and then again the following morning.

When the unit is on continuous tariff it has access to electricity all day and therefore no consideration is needed with regards cut off periods. Just take into account cooler temperatures and peak usage. The unit can deliver up to 77L an hour during ambient air temperatures of 20°C. However in the cooler temperatures the unit can require 5 - 6 hrs of heating time.

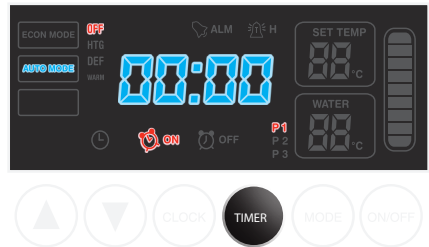
**IMPORTANT: ALLOW PLENTY OF TIME FOR THE UNIT TO RECOVER**

**KEY FACTORS:**

- Ensure the unit is in 'ECON' mode. TIMERS WILL NOT OPERATE IN AUTO MODE
- Remember, the timers are just a period of time which the machine can heat the water. The overriding factor is the temperature of the water.
- There are 3 timers available, ensure you allow a long enough period of time to heat the tank, it is recommended that a period of 8 hrs minimum is available, as weather can change and the amount of water that requires heating can alter.
- All timers are based on a 24 hr clock.

**TO SET TIMER:**

1. Press 'TIMER' to initiate timer settings: 'P1' and the 'TIMER ON' icon will appear on the display and the hour digits will flash.



2. The first clock represents the time you want the unit to come on. To adjust the hours, use the 'ARROW' buttons. Select 'TIMER' to switch from hours to minutes and use the 'ARROW' buttons again to adjust. Once you have input your desired 'ON' time, press 'TIMER'.



3. The second clock represents the time you want the unit to shut off. To adjust the hours, use the 'ARROW' buttons. Select 'TIMER' to switch from hours to minutes and use the 'ARROW' buttons again to adjust. Once you have input your desired 'OFF' time, press 'TIMER'.



4. P1 has now been successfully set. As the three timers can only be set in succession the next clock represents the 'ON' time for timer 2 or 'P2'. If you don't require additional timers, press 'TIMER' repeatedly until you see the original clock display. If you do want to set these extra timers, follow the steps outlined in steps 2 & 3.



5. Press 'MODE' to activate 'ECON MODE'. If the unit is left in 'AUTO', TIMERS WILL NOT OPERATE. 'ECON MODE' should now be lit up on the display panel.



6. Switch the unit on by pressing 'ON/OFF'. The 'ACTIVE TIMER' icon should light up, as well as the current unit status.



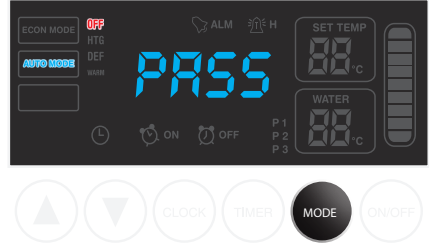
## 7.5 F11 MAXIMUM TEMPERATURE SETTING

F11 is used to set the tank's maximum temperature. It **MUST** be set at 60°C to ensure legionella control is met.

TO SET F11:

1. Hold down 'MODE' until the word 'PASS' appears on the display. This requires you to enter the password.

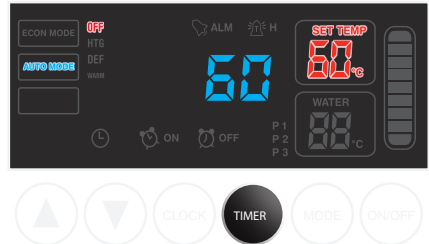
The password for each machine is 4-3-2-1.



2. Press 'UP ARROW' to change 'PASS' to '0000'. To enter the password, adjust each number using the 'ARROW' buttons and select 'TIMER' to confirm. When the password has been correctly entered, press 'TIMER'. 'F11' will appear on the display.



3. To enter F11 maximum temperature setting, press 'TIMER' and a number will appear on the screen. This number indicates the temperature to which the tank will be heated. To ensure legionella control, the temperature **MUST** be set at 60°C, which is the maximum temperature the unit can be set to.



4. To adjust the number on the display use the 'ARROW' buttons to set it to the Max of 60°C. **THIS IS THE CORRECT TEMPERATURE AND SHOULD NOT BE ALTERED.** To set and exit, press the 'TIMER' and 'F11' will reappear on the screen.



5. To exit settings press 'UP ARROW' until 'END' appears on the screen, then press 'TIMER'. The clock will reappear on the screen.



## 7.6 F12 TEMPERATURE TO ACTIVATE THE HEAT PUMP

The F12 setting allows you to set a value to which the water temperature can drop before the heat pump will automatically start heating.

TO SET F12:

1. Hold down 'MODE' until the word 'PASS' appears on the display. This requires you to enter the password. The password for each machine is 4-3-2-1.



2. Press 'UP ARROW' to change 'PASS' to '0000'. To enter the password, adjust each number using the 'ARROW' buttons and select 'TIMER' to confirm. When the password has been correctly entered, press 'TIMER'. 'F11' will appear on the display.

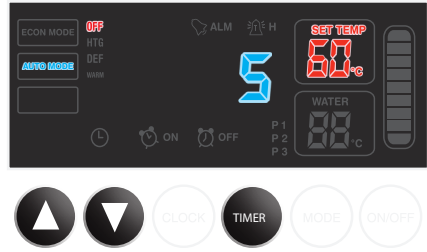


3. To reach 'F12' press 'DOWN ARROW', then 'TIMER' to enter F12 settings.



4. The number displayed is the amount in degrees the water temperature can drop before the heat pump is activated. To adjust, use the 'ARROW' buttons. To confirm and exit, press 'TIMER'. The screen should display 'F12'.

The recommended setting is 5 degrees. This will ensure the heater activates when the average temperature drops from 60°C to 55°C.



5. To exit settings press 'UP ARROW' until 'END' appears on the screen. Press 'TIMER' to save settings and exit. The clock will reappear on the screen.



## 7.7 OTHER SETTINGS (extra large hot water demand)

F19 - If there is an extra-large demand, Hydrotherm can heat water to 65°C. This means less hot water has to be taken for each shower and the tank will deliver between 20 - 40 litres of extra hot water.

F54 - If you set the tank to an increased heat then you need to adjust the F54 setting to 0 to ensure the A6 alarm is not activated.

These are advanced settings that we recommend leaving default. If you are certain you require these settings, please contact us before attempting to alter.

## 8.0 ERROR HANDLING

ERROR CODE	ERROR STATUS	REASONS	ERROR HANDLING
A1	Thermal sensor alarm	Water temperature sensor open circuit or short circuit.	<ol style="list-style-type: none"> <li>1. Check the water temp. sensor connection.</li> <li>2. Change the water temp. Sensor.</li> </ol>
A2	Condenser coil sensor alarm	Condenser coil temp. Sensor open circuit or short circuit.	<ol style="list-style-type: none"> <li>1. Check the condenser coil temperature sensor connection.</li> <li>2. Change the coil sensor.</li> </ol>
A3	Exhaust sensor alarm	Exhaust temp. Sensor open circuit or short circuit.	<ol style="list-style-type: none"> <li>1. Check the exhaust temperature sensor connection.</li> <li>2. Change the exhaust temperature sensor.</li> </ol>
A4	Ambient temp. Sensor alarm	Ambient temperature sensor open circuit or short circuit.	<ol style="list-style-type: none"> <li>1. Check the Ambient temperature sensor connection.</li> <li>2. Change the ambient temperature sensor.</li> </ol>
A5	Low/High pressure alarm	<ol style="list-style-type: none"> <li>1.1 High pressure protection switch off.</li> <li>1.2 Ambient temperature too high or water heat exchanger dirty block.</li> <li>2.1 Low pressure protection switch off.</li> <li>2.2 Leakage of refrigerant.</li> </ol>	<ol style="list-style-type: none"> <li>1.1 Check or change the high pressure protector.</li> <li>1.2 Check if the surround temp. Is too high, or clean the heat exchanger of water tank.</li> <li>2.1 Check or change the low pressure protector.</li> <li>2.2 Supply refrigerant and check if there is any leakage.</li> </ol>
A6	(Auxiliary) electric heater protection overheat alarm	<ol style="list-style-type: none"> <li>1. Electric heater protection switch off.</li> <li>2. Tank water temp. Too high</li> </ol>	<ol style="list-style-type: none"> <li>1. Check if the water temp is as LCD display, or if water temperature is too high.</li> <li>2. Change the Electric heater.</li> </ol>
A7	Exhaust temperature too high	<ol style="list-style-type: none"> <li>1. Lack of refrigerant.</li> <li>2. Mix with air in system.</li> <li>3. Lack of lubricating oil.</li> </ol>	<ol style="list-style-type: none"> <li>1. Supply refrigerant.</li> <li>2. Re-vacuumizing, and fill in refrigerant.</li> <li>3. Change the lubricating oil of compressor.</li> </ol>
--	Screen no display or display insufficiency	<ol style="list-style-type: none"> <li>1. No plug in power.</li> <li>2. Mainboard and operation panel communication break off.</li> </ol>	<ol style="list-style-type: none"> <li>1. Check the power line and voltage.</li> <li>2. Reconnect the line of mainboard and operation panel.</li> <li>3. Change the mainboard or operation panel.</li> </ol>



## 9.0 TROUBLE SHOOTING

### Pressure & Temperature Relief Valve

It is not unusual for the PTR to allow a small quantity of water to escape during the heating cycle. The amount of discharge will depend on the hot water usage.

### Continuous Trickle

This is most likely due to a build up of foreign matter. In this case try gently raising the easing lever on the Pressure and Temperature Relief valve for a few seconds then release gently. This may dislodge small particles of foreign matter and rectify fault.

### Steady Flow (PTR)

This may be caused by excessive water supply pressure, a faulty Pressure & Temperature Relief Valve or faulty thermostat > Turn off electricity supply, turn off the water and contact AQUATECH agent.

### No Hot Water

Is the Pressure & Temperature Relief Valve discharging too much water?

Do you have the correct size water heater for your requirements?

Is one outlet (such as a shower) using more hot water than you think?

Carefully review families hot water usage and if necessary check the flow rates with a bucket, measuring the amount of water used over the period of the three days. If usage is higher than output a control valve may be useful in reducing pressure and usage at the end of the line.

Consider that during night time heating, the time to recuperate hot water is lengthened due to cooler conditions, so you may find the tank has not fully recovered from high use periods.

### Condensation is Dripping From Inside

Check that the discharge location of the condensate drain has not been blocked thereby restricting the condensation flow away from the heat pump.

### The Heat Pump Does Not Run

Check the power supply is turned on and that the house circuit breakers or fuses are on and operational. If problem persist contact your Aquatech representative.

### System Maintenance

The heat pump water heater is designed to eliminate system maintenance other than that detailed in this Owner's Manual.

Personally inspecting or servicing any part of the system is not recommended.

Should you decide to personally inspect the system, it is essential that you observe all normal safety practices.

Most importantly, the electricity supply must be turned OFF.

Every 5 years you should contact the local service agent to replace all safety valves to ensure continued system life and operational safety. In locations where the potable water has a TDS greater than 600 ppm, this service is recommended every 3 years.

### Safety Information

For safe performance this water heater is fitted with:

An over-temperature energy cut-out thermostat.

A combination Pressure & Temperature Relief Valve

These devices must not be tampered with or removed. The water heater must not be operated unless both of these devices are fitted and in working order.

The element cover should only be removed by an electrician. The electrical power.

Supply switch must be turned off and the fuse removed at the main electrical supply switchboard before the water heater electrical cover is removed.

The Pressure & Temperature Relief Valve should be checked for adequate performance or replaced at intervals not exceeding 5 years or less if local regulations apply. The lever on the relief valve should be pulled to operate at least once every 6 months.

Note: The pressure & temperature relief valve and the drain outlet pipe must not be sealed or blocked. It is normal for the valve to overflow during heating cycles.

Danger: Failure to operate the relief valve easing gear at least once every six months may mask a problem with the water heater.



**WARNING:** If the hot water system is not used for two weeks or more a quantity of highly flammable Hydrogen gas may accumulate in the water heater. To dissipate this gas safely, it is recommended that a hot tap be turned on for several minutes or until discharge of gas ceases, use a sink, basin, bath outlet, but not a dishwasher, clothes washer or other appliance. During this procedure, there must be no smoking, open flame or any electrical appliance operating nearby. If hydrogen is discharged through the tap, it will probably make an unusual sound as with air escaping

## 10. SERVICE REPRESENTATIVE MAINTENANCE

### Cleaning the evaporator

- To ensure the optimum efficiency the system evaporator should be cleaned regularly.
- Clean evaporator using water and a soft brush only.

### Draining the System

- Close the shutoff valve in the cold water supply
- Fully open the taps at all draw off points.
- Drain cylinder via cold water inlet line.
- Undo cold water inlet and let all residential water escape. - Warning water maybe hot when draining.

### Relief of air vacuum in pipes and system

- To bleed air from the system and pipe work.
  - Drain and flush unit as per maintenance guidelines.
  - Commission unit ensuring all the air is bled from the system by turning on all hot water taps.
  - Do not attempt to bleed air via the pressure and temperature relief valve.
- 

### 5Yr service of system - Authorized personnel only

A five year service should be carried out on all units by a licensed tradesperson.

The service procedure should include the following steps.

- Replace/service the Pressure and Temperature relief valve.
- Flush the water heater, drain and flush the water heater as follows.
- Turn off power to unit.
- Turn off the cold water supply to the water heater at the isolating valve.
- Gently operate the release lever on Pressure and Temperature relief valve to release pressure in the tank.
- Disconnect the cold water inlet union to the heater and attach a drain hose.
- Operate the pressure and temperature relief valve to allow air into the heater and allow water to escape through the hose.
- To flush water heater carry out above steps. Disconnect the hot water inlet union and attach a water supply hose to the heater. Turn on water supply.
- Flush the heater until clear water appears then reconnect all fittings, fill heater and restore the power supply.

[FOR ADVICE REPAIRS AND SERVICE CALL 1300 769 904](tel:1300769904)

Effective for Aquatech All-In-One water heaters manufactured and sold after 08/08/2010

# 11. WARRANTY - AUSTRALIA ONLY

Aquatech Solar Technologies Australia warrants all models under the Hydrotherm branding as per the following terms and conditions. The obligation of Aquatech or its service agents under this warranty is limited to Aquatech either repairing or replacing any defects/parts at its discretion within the specified warranty period as stated.

## 15YR PRO-RATA TANK WARRANTY

The 304 stainless steel tank is warranted to last 15 years Pro-Rata under normal use. Below is the guideline for Pro-Rata arrangement, should your tank fail during the warranty period from date of install.

Year 1-5	Full Replacement of system *
Year 6	50% Refund of purchase price **
Year 7	45% Refund of purchase price **
Year 8	40% Refund of purchase price **
Year 9	35% Refund of purchase price **
Year 10	30% Refund of purchase price **
Year 11	25% Refund of purchase price **
Year 12	20% Refund of purchase price **
Year 13	15% Refund of purchase price **
Year 14	10% Refund of purchase price **
Year 15	5% Refund of purchase price **

Should the inner tank fail within this warranty period Aquatech Solar Technologies will provide a replacement system of equal or greater capacity. The system will be provide at no charge, however all additional costs for installation and shipping will be the responsibility of the claimer.

The Refund value is based as a percentage of the final invoiced price as charged to the purchasers credit card, through the Aquatech Online Store. The Pro-Rata invoice is only applicable to purchases made online through Aquatech.

This warranty is void if the TDS (Total Dissolved Solids) of the water is in excess of 600ppm (parts per million), or due to any corrosive elements within the water supply with a copper content.

This warranty is void if there is a high chloride water supply areas, the water can corrode some parts and cause them to fail. Where the chloride level exceeds 250 mg litre warranty does not apply to the heat pump unit and tank unit. pH is a measure of whether the water is alkaline or acid. In an acidic water supply, the water can attack the parts and cause them to fail. No warranty applies to the heat pump unit and tank unit where the pH is less than 6.0. The water supply from a rainwater tank unit in a metropolitan area is likely to be corrosive due to the dissolution of atmospheric contaminants. Water with a pH less than 6.0 may be treated to raise the pH. It is recommended that an analysis of the water from a rainwater tank be conducted before connecting this type of water supply to the system.

## 5Yr All Parts

All system component parts as outlined in the model schematic found in this document, are covered under this warranty for a period of five years, from date of install. This is for supply of spare components only and does not include cost of labour for reconnecting component parts. Aquatech will cover the shipment of parts to residence or repair agent under this agreement.



# WARRANTY - AUSTRALIA & NEW ZEALAND

## TERMS OF MANUFACTURER'S WARRANTY

Each unit is supplied with a PTR Valve, all other valves (see 4.0 plumber schematics) have to be supplied by the installer in accordance with State and local regulations, failing to use new valves when installing any Aquatech system will cancel all warranties. This Warranty only applies to Australia & New Zealand.

The air filter must be cleaned at least once a year and free from a build-up of dirt/dust, which will affect or restrict the air flow.

## CHARGEABLE REPAIRS

A charge will be made if the cause of the break-down is due to any of the following:  
Faults caused by, external electricians and external components & incorrect installation methods.  
The Aquatech Heat Pump has not been commissioned, in accordance with the installation and servicing manual, or by a licensed plumber.

## BREAKDOWN DURING THE MANUFACTURER'S WARRANTY

If your Aquatech Heat Pump should fail within the warranty period, you must contact Aquatech Australia who will arrange for the repair or replacement under the terms of their Warranty.

## IN THE FIRST INSTANCE

Contact your plumber to ensure that the fault does not lie within the system or any other components, or any incorrect setting of the system controls.

## IF A FAULT IS FOUND

Ask your installer to contact Aquatech Australia service department who will arrange with the Service Plumber/ Electrician to attend to the fault.

## FREE OF CHARGE REPAIRS

During the warranty period no charge for parts or labour will be made providing that the Heat Pump has been installed and commissioned correctly in accordance with the manufacturer's instructions. Proof of 'purchase' date must be provided upon request. The free service is restricted and will only apply to Metropolitan areas, in all other areas the free service will still apply subject to the hot water unit heater or any parts being forwarded, to the nearest service agent, transport is required to be prepaid both ways at the owner's risk.

## CUSTOMERS DETAILS

Heat pump supplied by:

## PLUMBERS / ELECTRICIAN DETAILS

Name: \_\_\_\_\_

License Number: \_\_\_\_\_

Address: \_\_\_\_\_

Phone Number: \_\_\_\_\_

Installation Date: \_\_\_\_\_ Model: \_\_\_\_\_

Serial Number: \_\_\_\_\_

Address of Installation: \_\_\_\_\_

Scope of Works: \_\_\_\_\_ New Home / Replacement





[info@hydrothermhotwatersystems.com.au](mailto:info@hydrothermhotwatersystems.com.au)

[www.hydrothermhotwatersystems.com.au](http://www.hydrothermhotwatersystems.com.au)

TOLL-FREE 1300 769 904