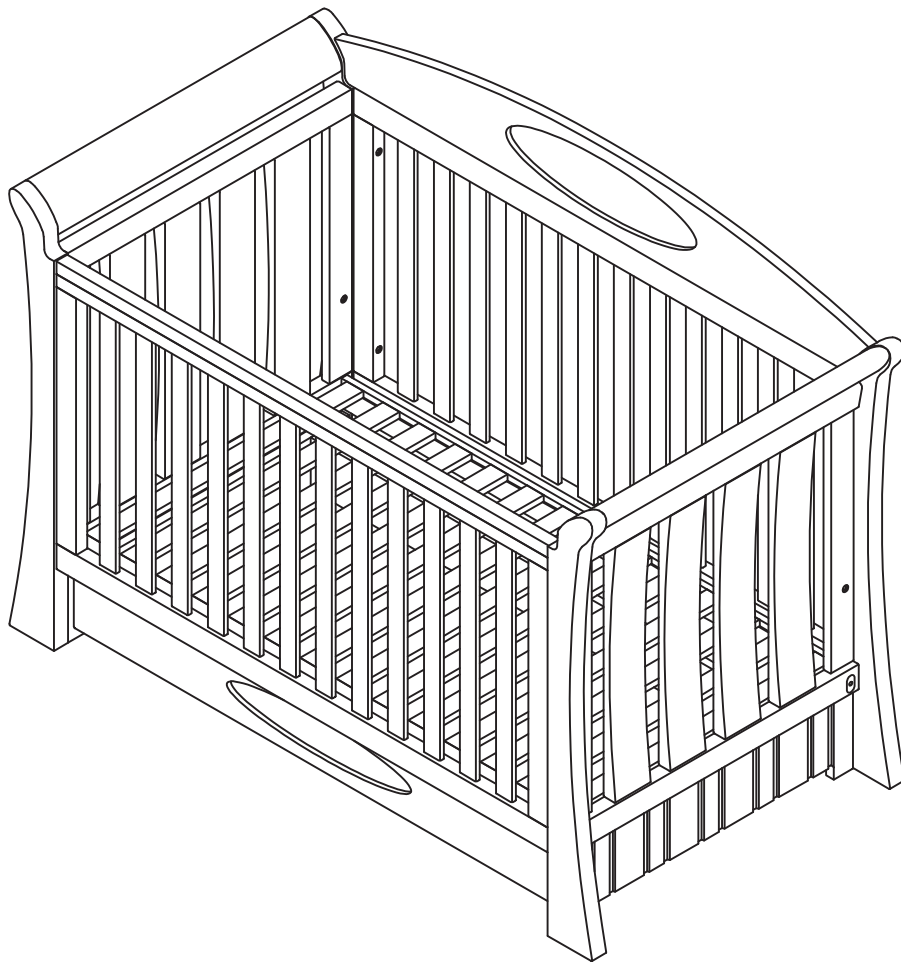


elite
LOVE N CARE



REGAL COT

HK 30

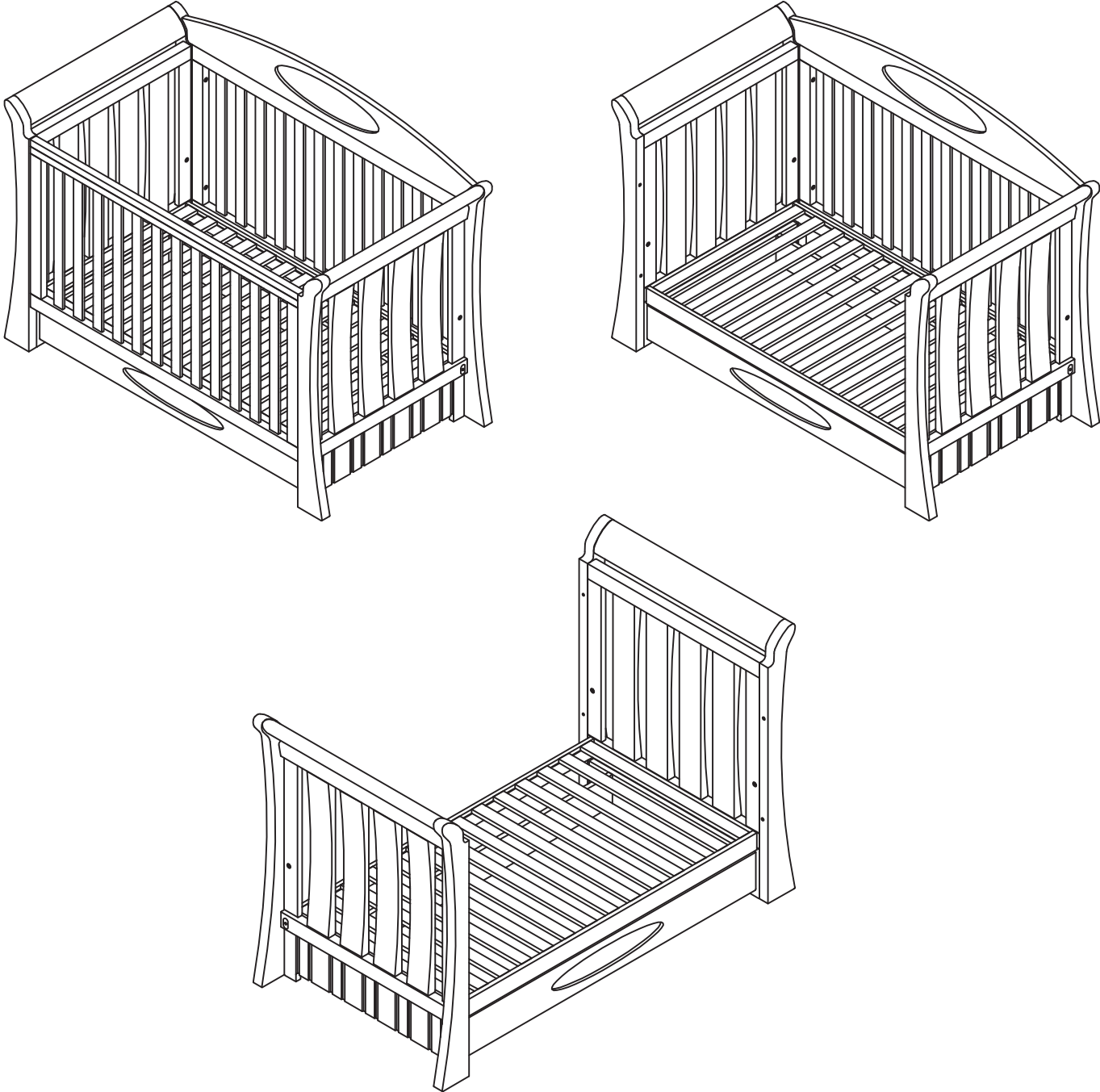
PLEASE KEEP THESE INSTRUCTIONS FOR FUTURE REFERENCE



Congratulations on your new quality Love N Care product from our exclusive range of baby products. This exceptional design combines the most unique features that any baby product offers.

We are confident that you will appreciate its many highlights, including its reliability and durability. Your new product has been manufactured to comply with the Highest Quality Standards and comes with a 12-month warranty.

As you will soon learn there are many more great features about your new Love N Care product.





Safety guidelines and instructions must always be followed before making use of this product, please retain these instructions for future reference.

This product complies with product standard:

AS/NZS 2172:2010 Cots for household use - Safety Requirements

WARNING

This cot has been designed for a child up to 25kg

Do not leave your child unattended when the dropside is in the lower position

RECOMMENDED MATTRESS SIZE: This cot has been manufactured for use with a mattress which measure 760mm wide by 1310mm long and 130mm in thickness.

The width and length are specific because it is important that the gaps between the mattress and the sides and ends of the cot will not exceed 40mm. This is to minimize the risk of a child's limb becoming caught in the gap. The thickness of the mattress has been specified to ensure that the depth of the cot is greater than 500mm with the mattress base in the lower position to minimise the risk of a child climbing or falling out of the cot.

WARNING TO PREVENT FALLS, THE MATTRESS BASE OF THIS COT SHOULD BE ADJUSTED TO THE LOWEST POSITION BEFORE THE CHILD CAN SIT UP.

The manufacturer's assembly instructions must be followed in detail to ensure all the safety features of the cot are not compromised.

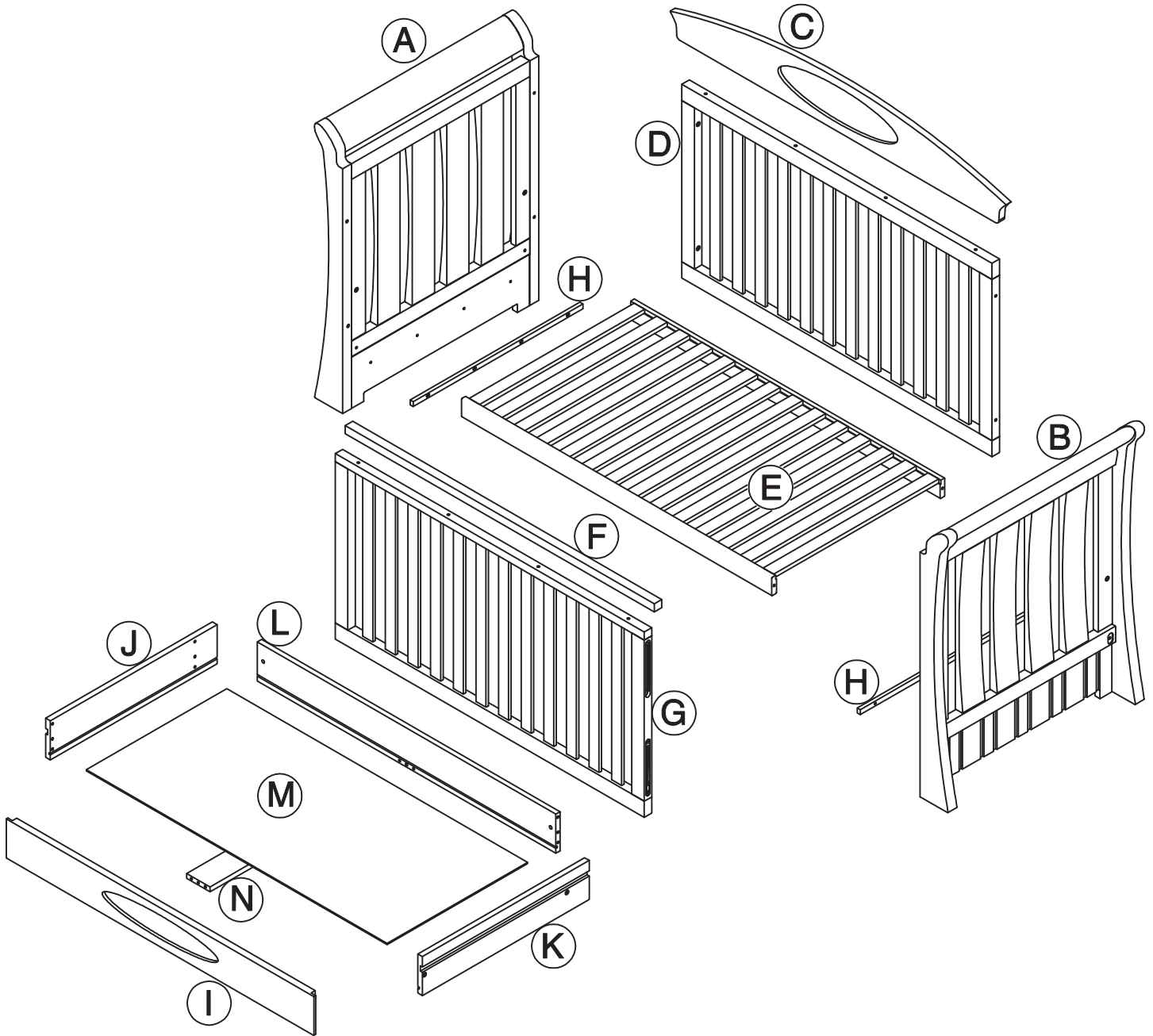
Please ensure that the cot is placed at a reasonable distance from curtains, blinds, heaters and power points.

Please keep medication, string, elastic, small toys or small items, such as money out of reach from any position in the cot.

WARNING: TO PREVENT FALLS, THE MAXIMUM MATTRESS THICKNESS SHOULD NOT EXCEED 130mm.



Parts List



A	Left End	1pc
B	Right End	1pc
C	Back Top Cap	1pc
D	Fixed Side	1pc
E	Mattress Base	1pc
F	Front Top Cap	1pc
G	Drop Side	1pc

H	Support Rail	2pcs
I	Drawer Front	1pc
J	Drawer Side Left	1pc
K	Drawer Side Right	1pc
L	Drawer Back	1pc
M	Drawer Bottom	1pc
N	Drawer Bottom Rail	1pc

Parts List

Step 1

(1) Nail x4
(2) M6x25mm x8



Step 2

(3) M6x50mm x4



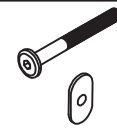
Step 3 +4

(4) Bolt x2



Step 5

(3) M6x50mm x4
(5) Iron Plate x4



Step 6

(6) M6x70mm x4



Step 7

(6) M6x70mm x4



Step 8

(7) 6x44mm Metal Dowel Screw x2



Step 9

(8) 15x12mm Cam Lock x2



Step 10

(3) M6x50mm x2
(9) Nut x2



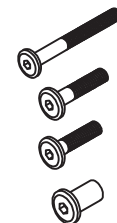
Step 12

(3) M6x50mm x2
(9) Nut x2



Mattress

(3) M6x50mm x4
(2) M6x25mm x4
(10) M6x12mm x4
(11) M6 x4



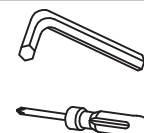
Sofa

(10) M6x12mm x8

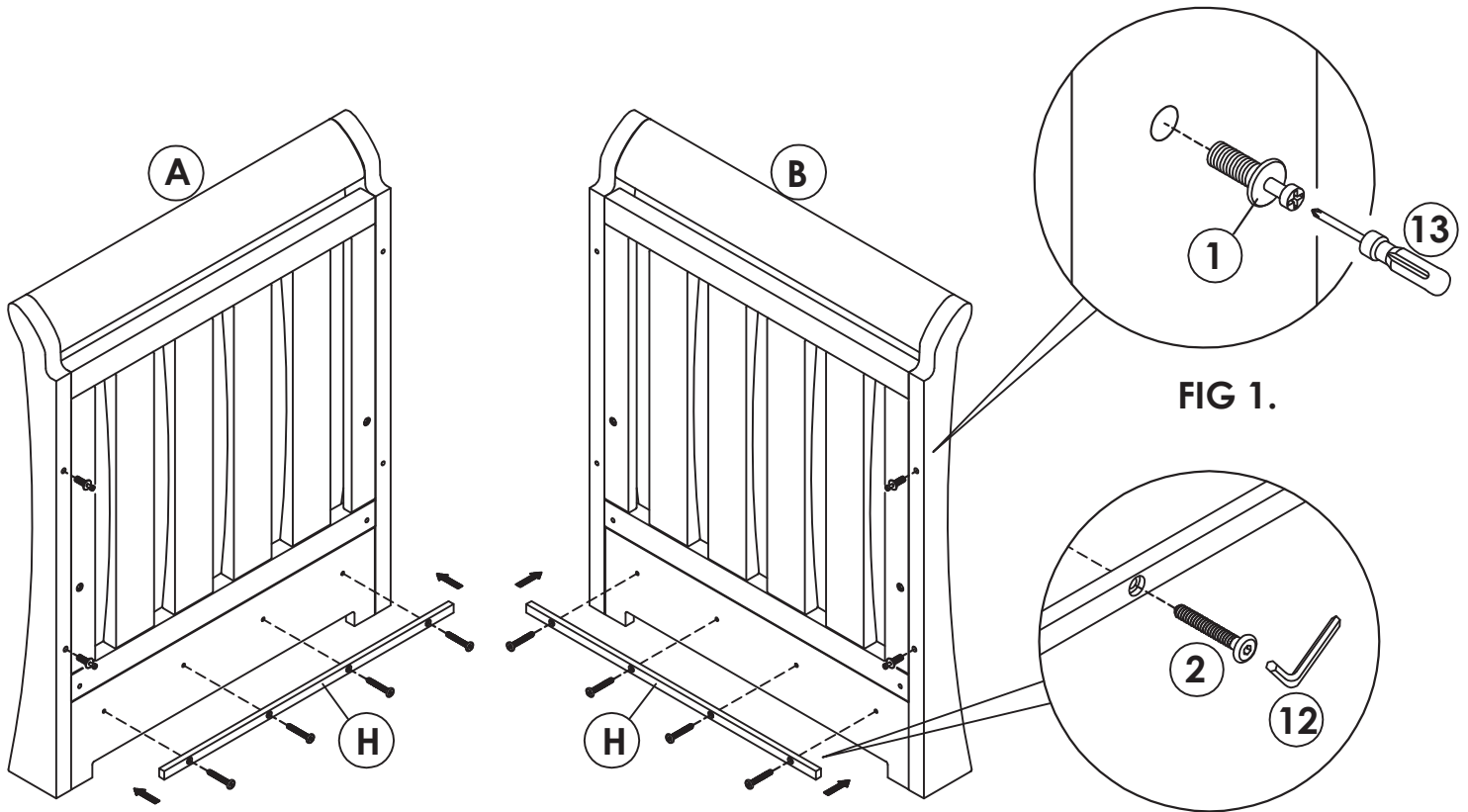


Tools

(12) Allen Key x1
(13) Screwdriver x1

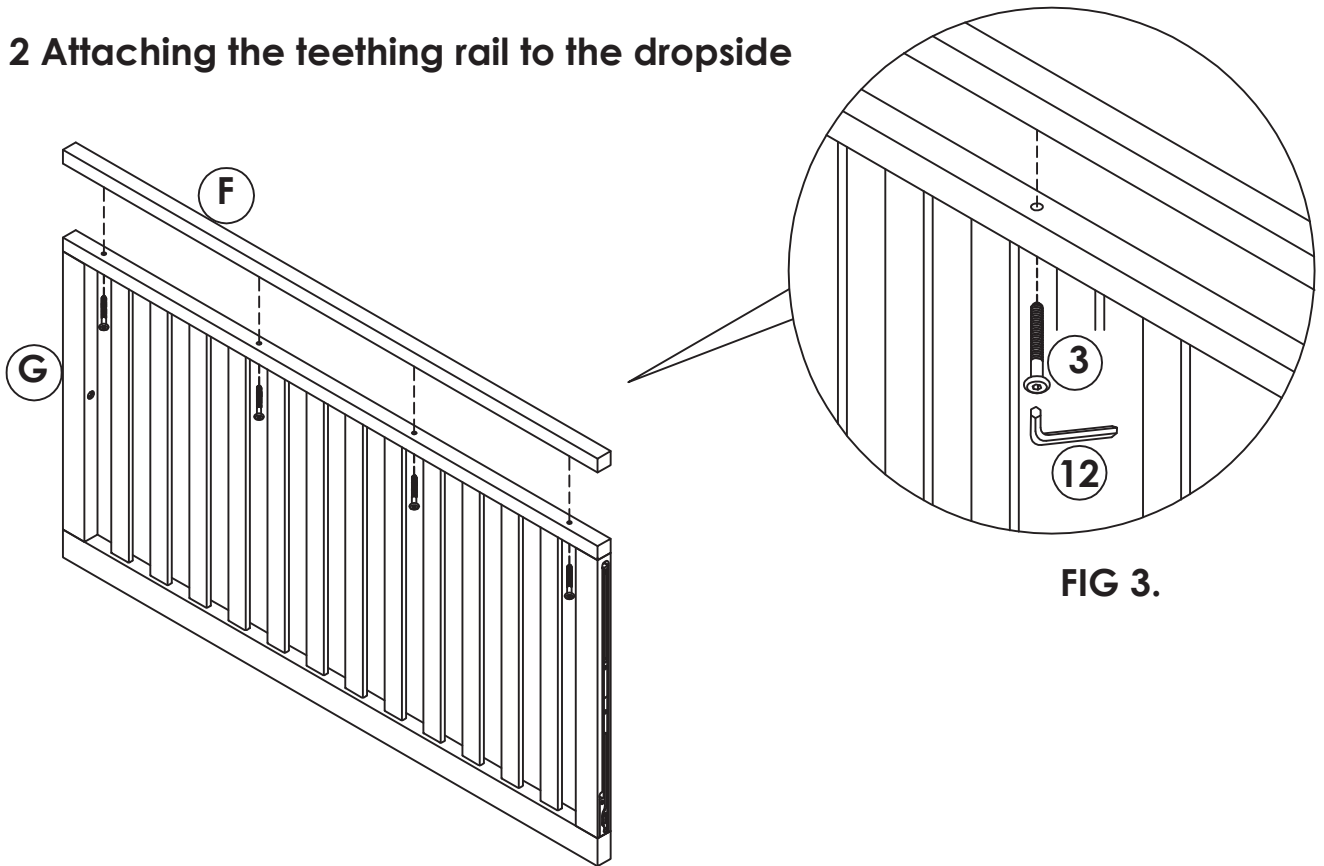


Step 1 Setting up the ends



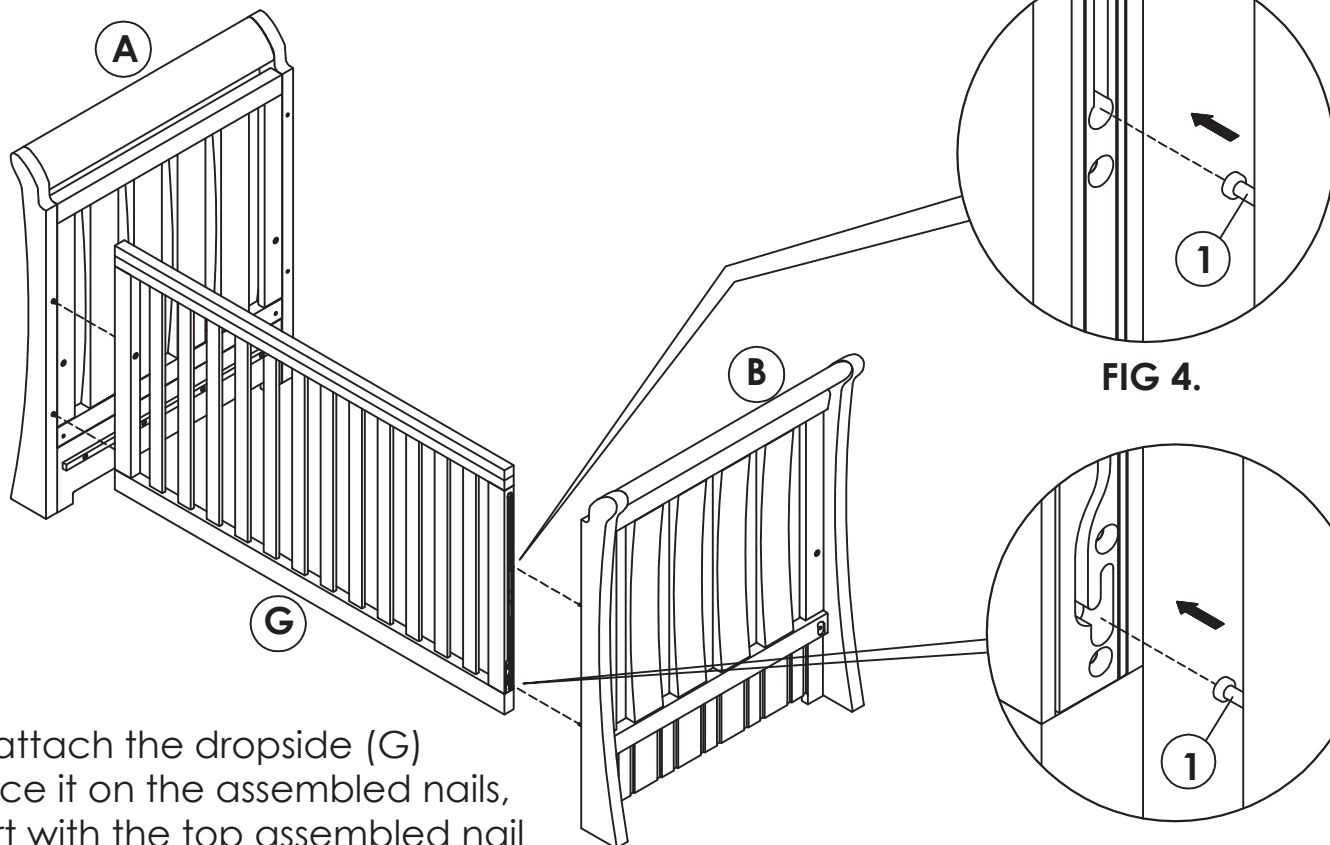
1. Screw in the Nails (1) on the ends as shown in fig 1.
2. Attach the 2 support rails (H) to the left end (A) and right end (B) using 8pcs bolts (4) with allen key (13)

Step 2 Attaching the teething rail to the dropside



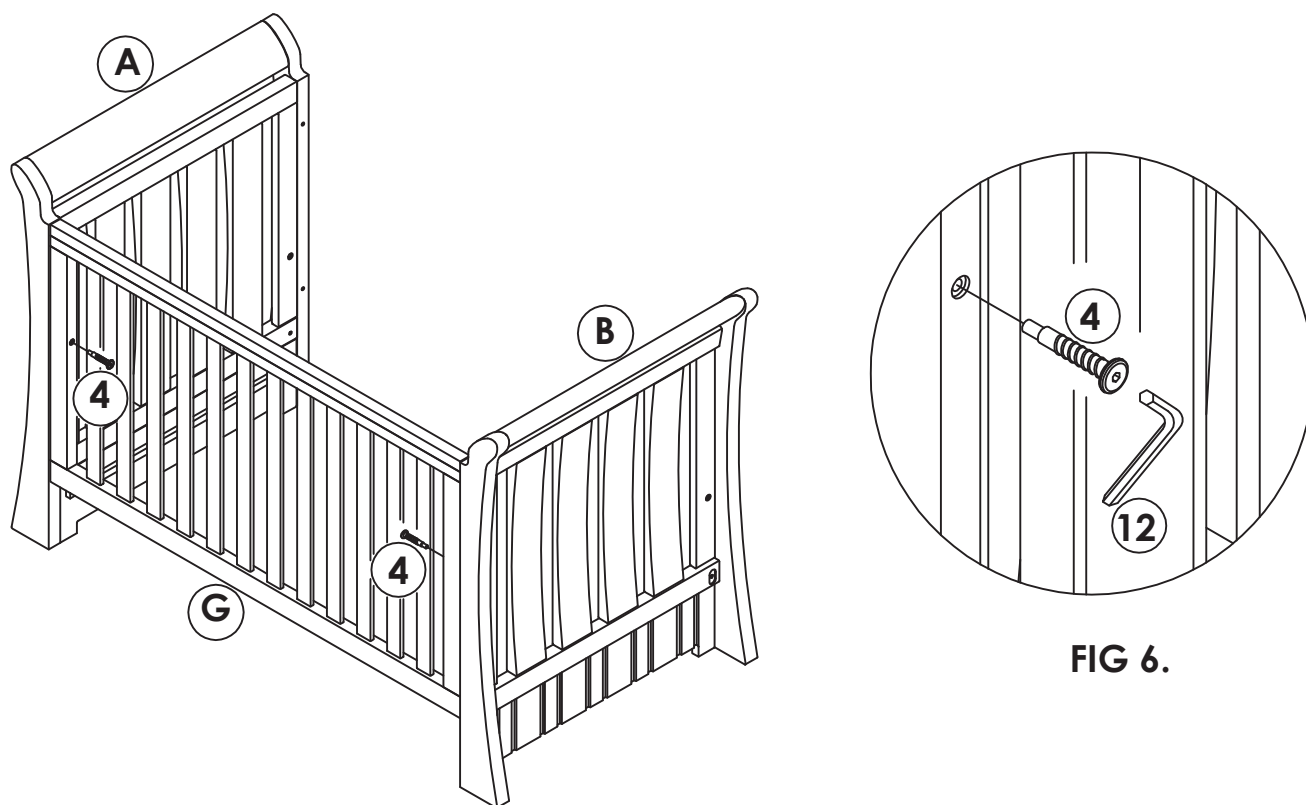
Attach the front top cap (F) to dropside (G) using 4pcs bolts (6) with allen key (12) as shown in fig 3.

Step 3 Attaching the dropside



To attach the dropside (G) place it on the assembled nails, start with the top assembled nail as shown in fig 4 and then the lower nail as shown in fig 5. Repeat for each end of the dropside.

Step 4 Attaching the dropside to the ends



Screw in the bolts (4) into the dropside and tighten with the allen key (12) as shown in fig 6.

Step 5 Attaching the base to the ends and dropside

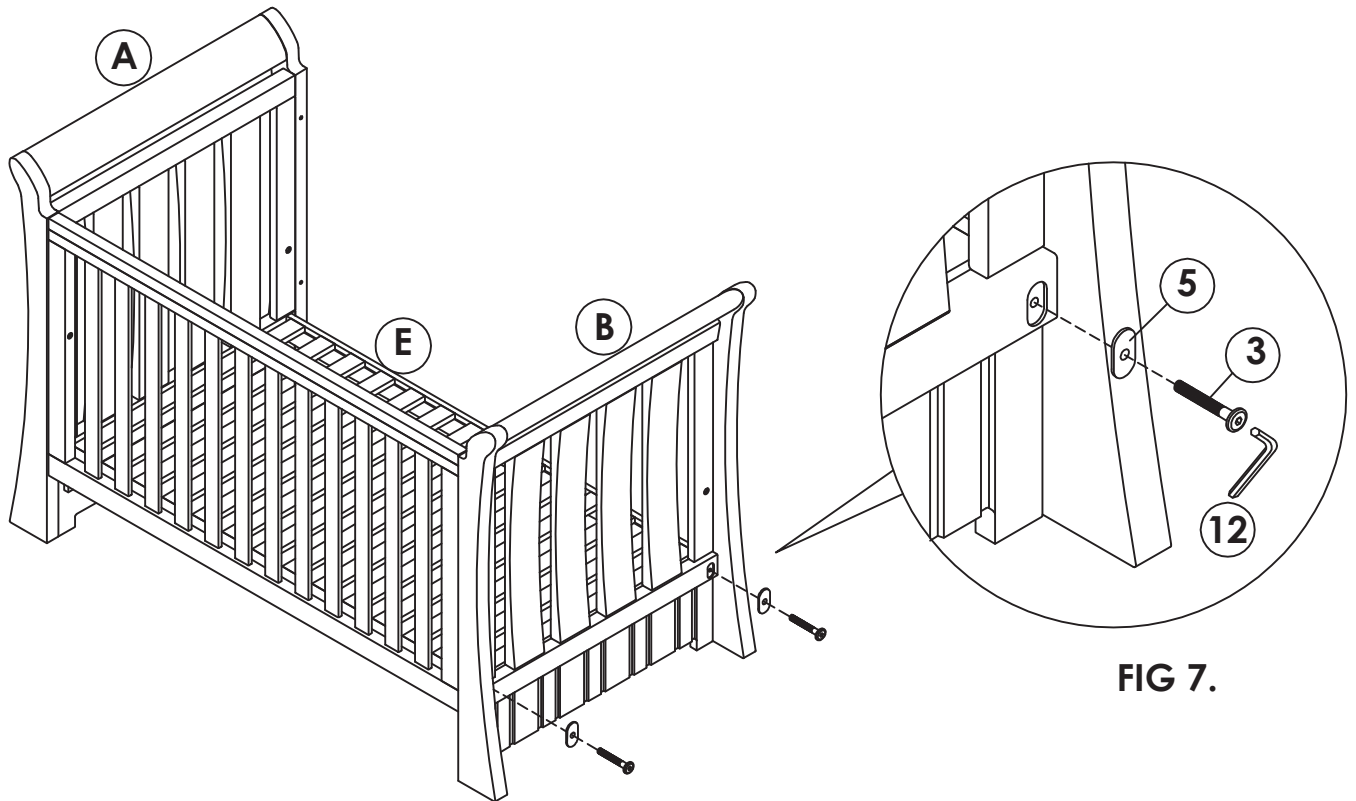


FIG 7.

Attach the mattress base (E) to the left end (A) and right end (B), using 4pc iron plates (5) and 4pcs bolts (3) with allen key (12) as shown in fig 7.

Step 6 Assembling the fixed side

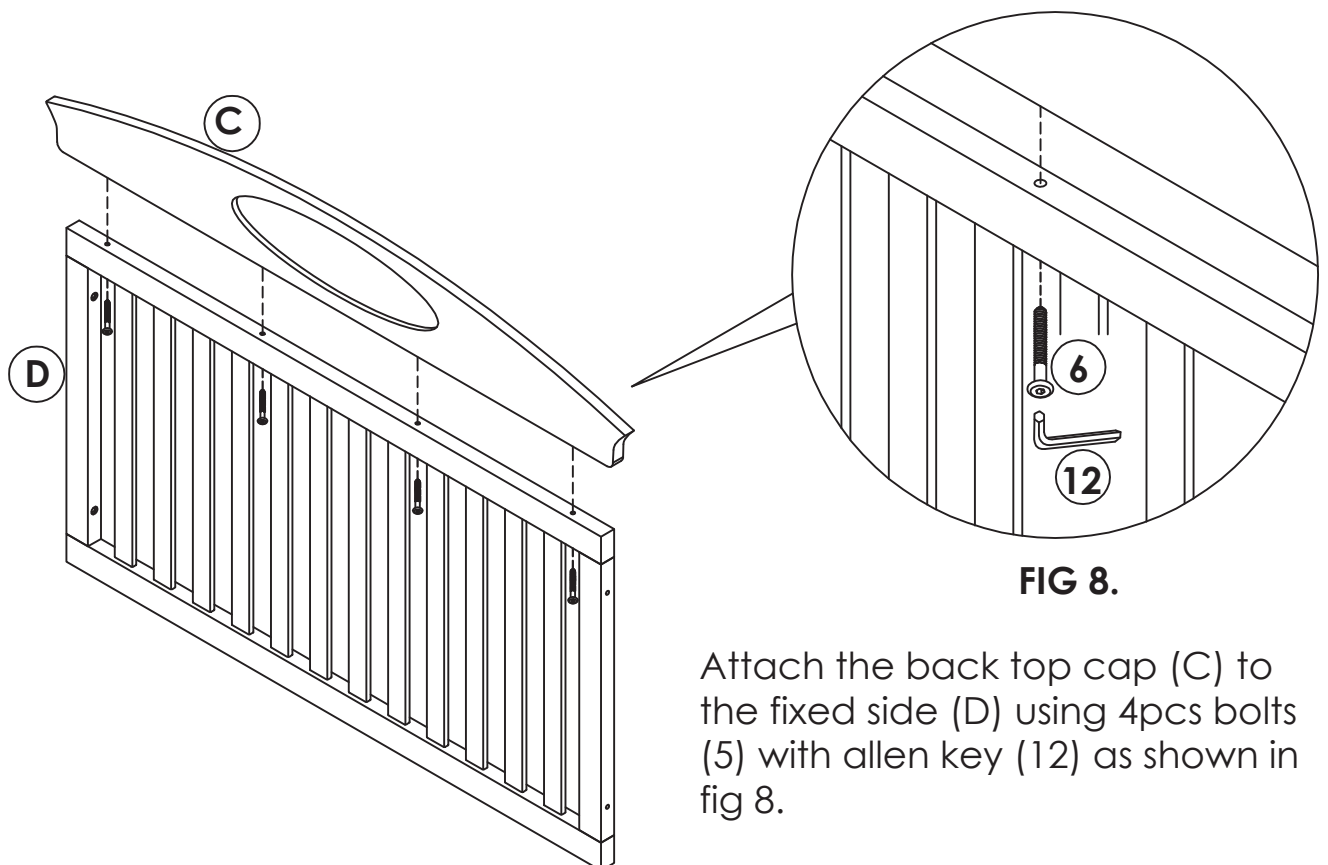


FIG 8.

Attach the back top cap (C) to the fixed side (D) using 4pcs bolts (5) with allen key (12) as shown in fig 8.

Step 7 Attaching the fixed side to the cot

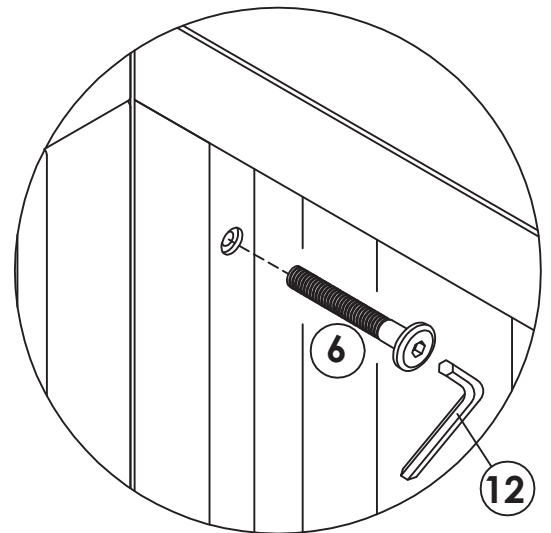
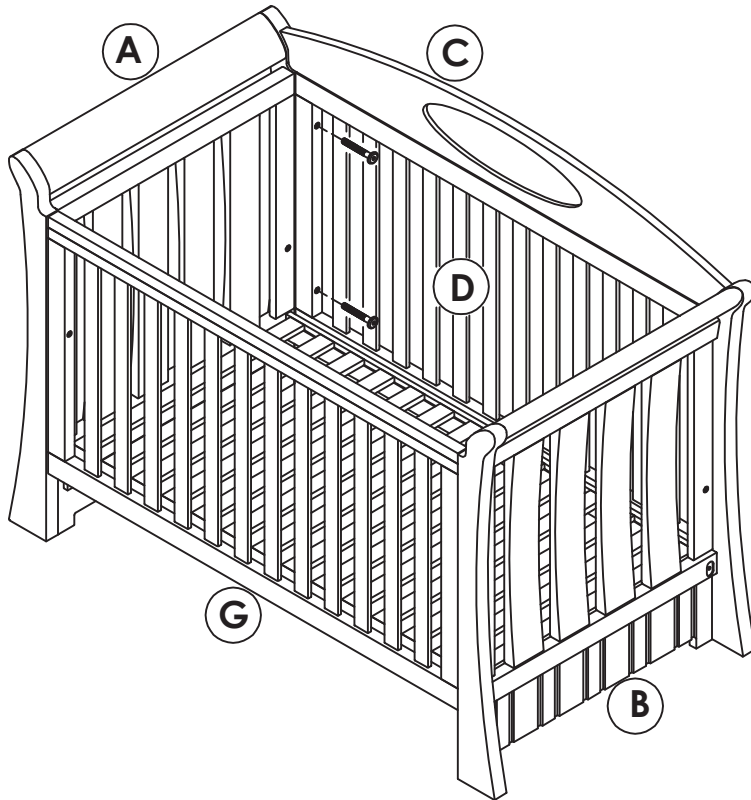


FIG 9.

Screw in the bolts (6) into the fixedside (D) and tighten with the allen key (12) as shown in fig 9.

Step 8 Assembling the drawer

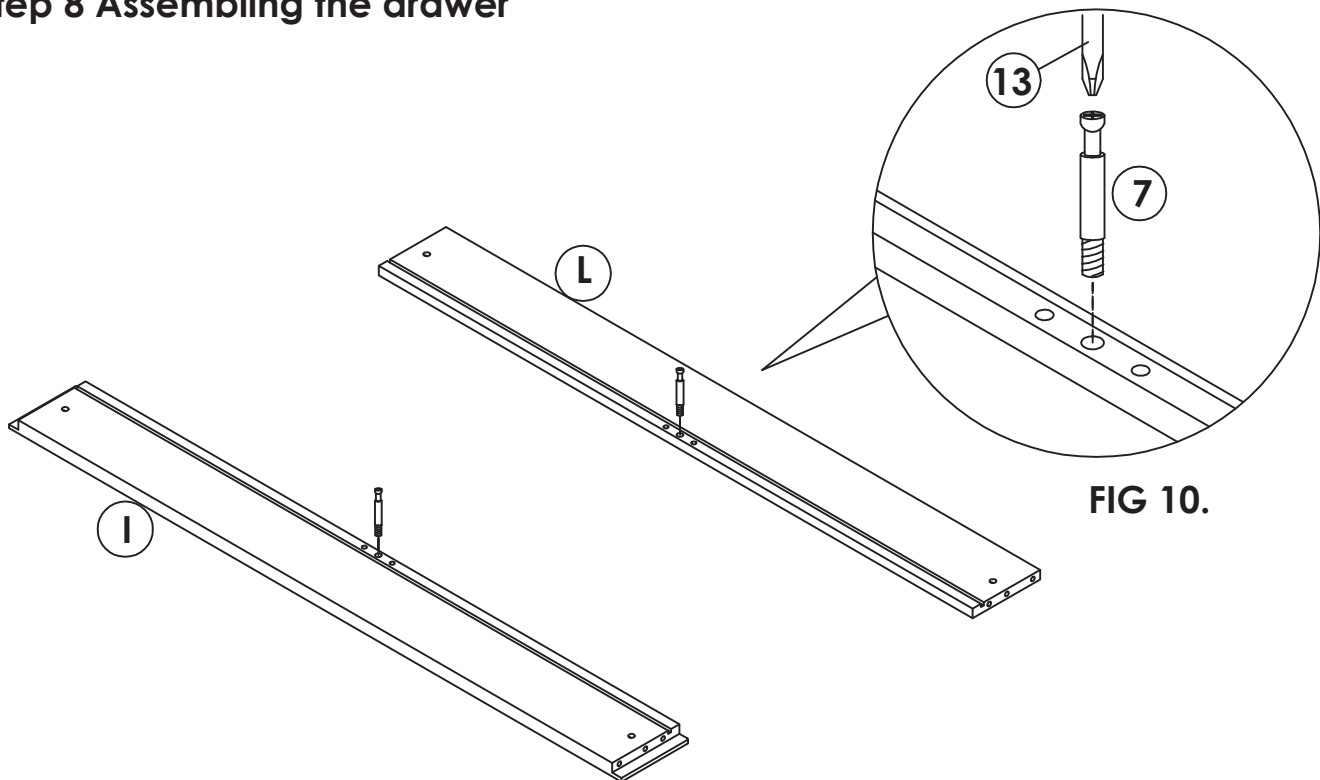


FIG 10.

attach 2pcs metal dowel screw (7) to drawer front (I) and drawer back (L) using screwdriver (13) as shown in fig 10.

Step 9 Attaching the side on the drawer

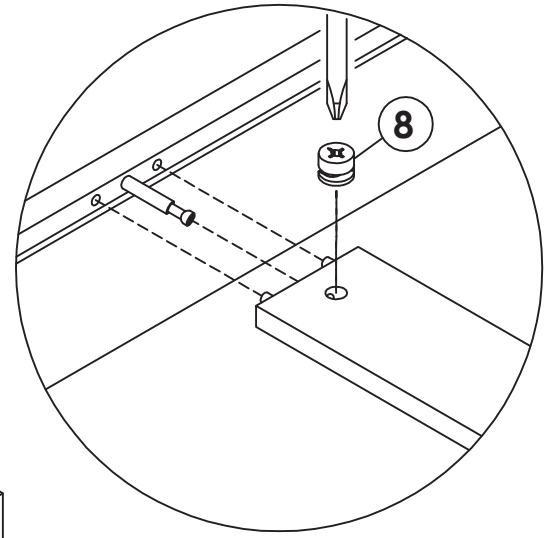
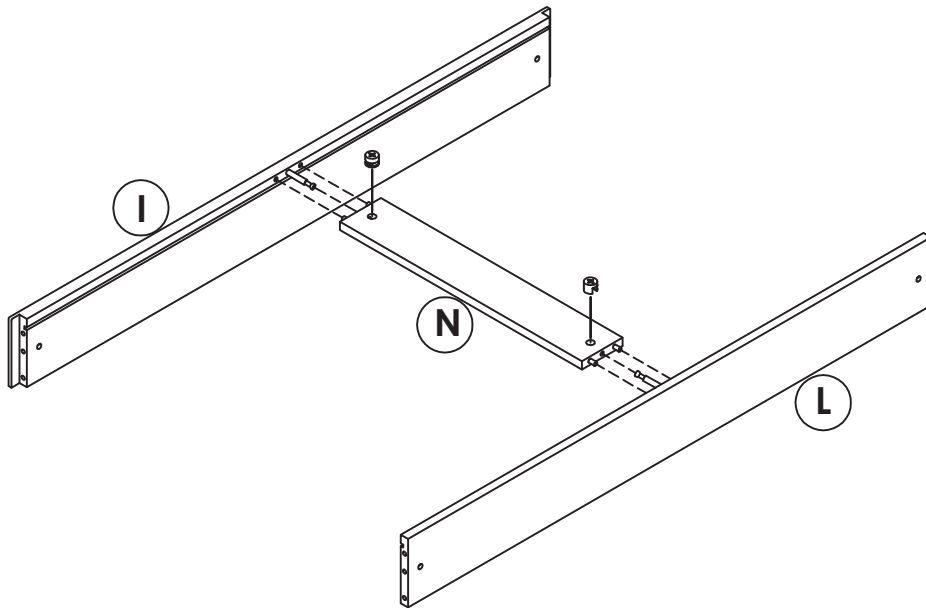


FIG 11.

Attach the drawer bottom rail (N) to drawer front (I) and drawer back (L) with 2pcs cam locks (8) and tighten with screwdriver (13) as shown in fig 11.

Step 10 Attaching ends on the drawer

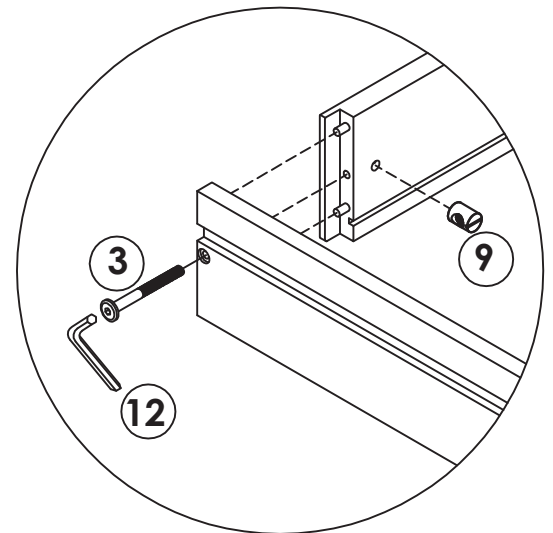
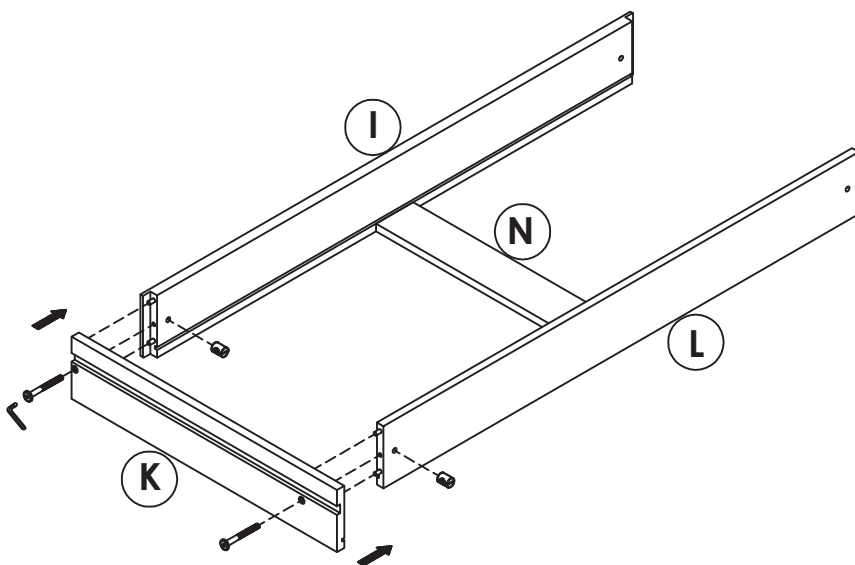
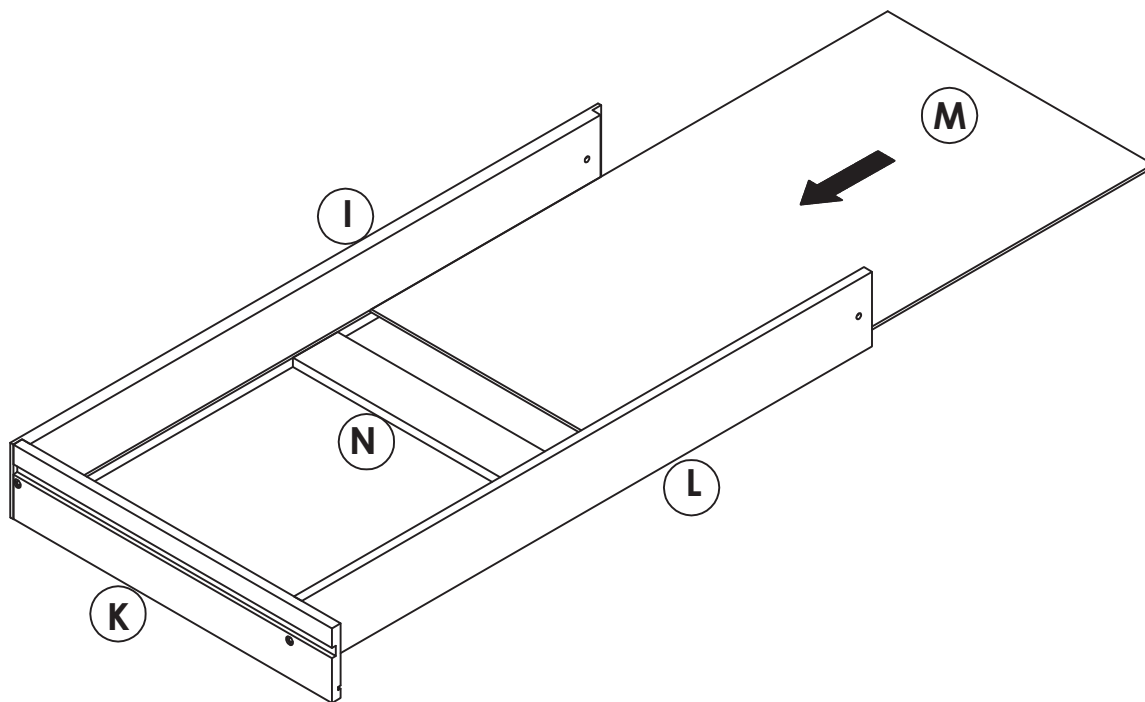


FIG 12.

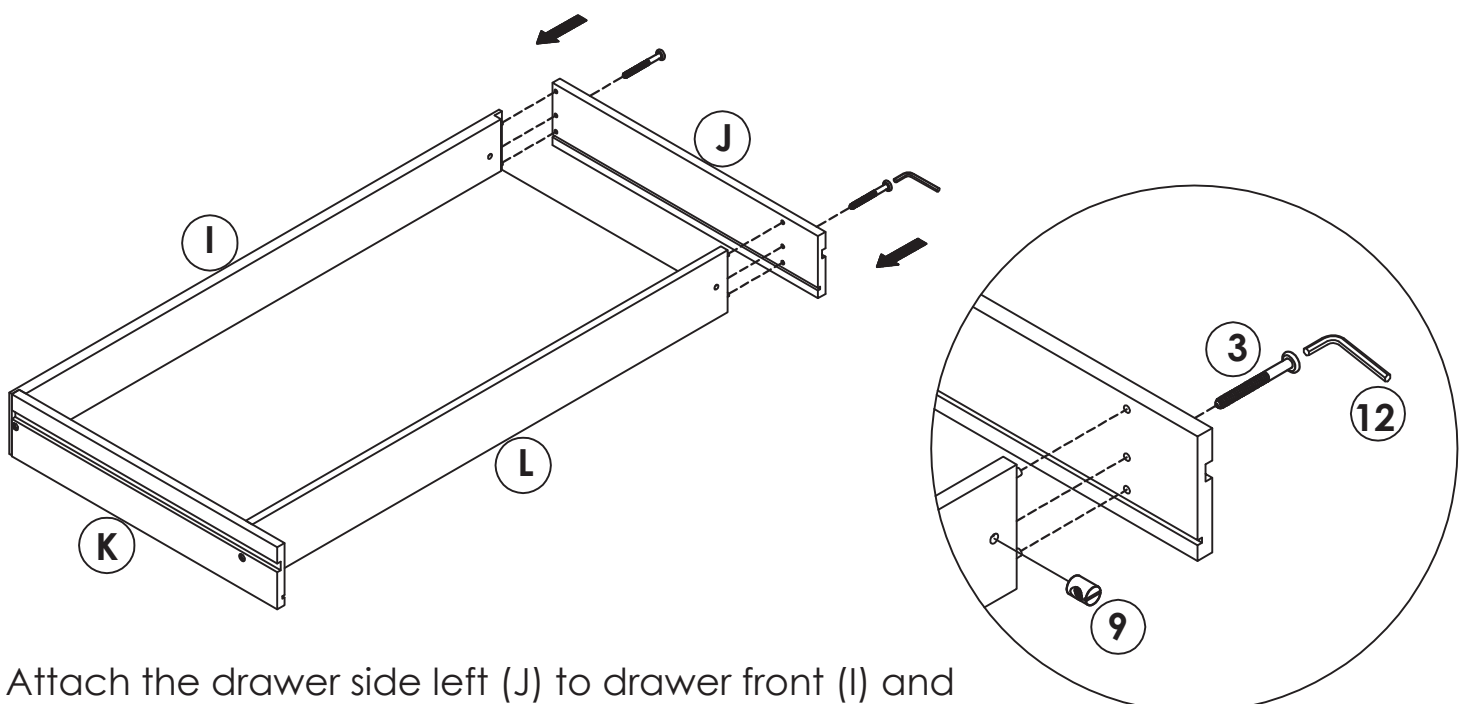
Attach the drawer side right (K) using 2pcs (3) bolt with 2pcs nut (9) inserted into the sides (I) and (L), Then tighten with allen key (12) as shown in fig 12.

Step 11 Inserting the drawer base



Insert the drawer bottom (M) to drawer front (I) and drawer back (L)

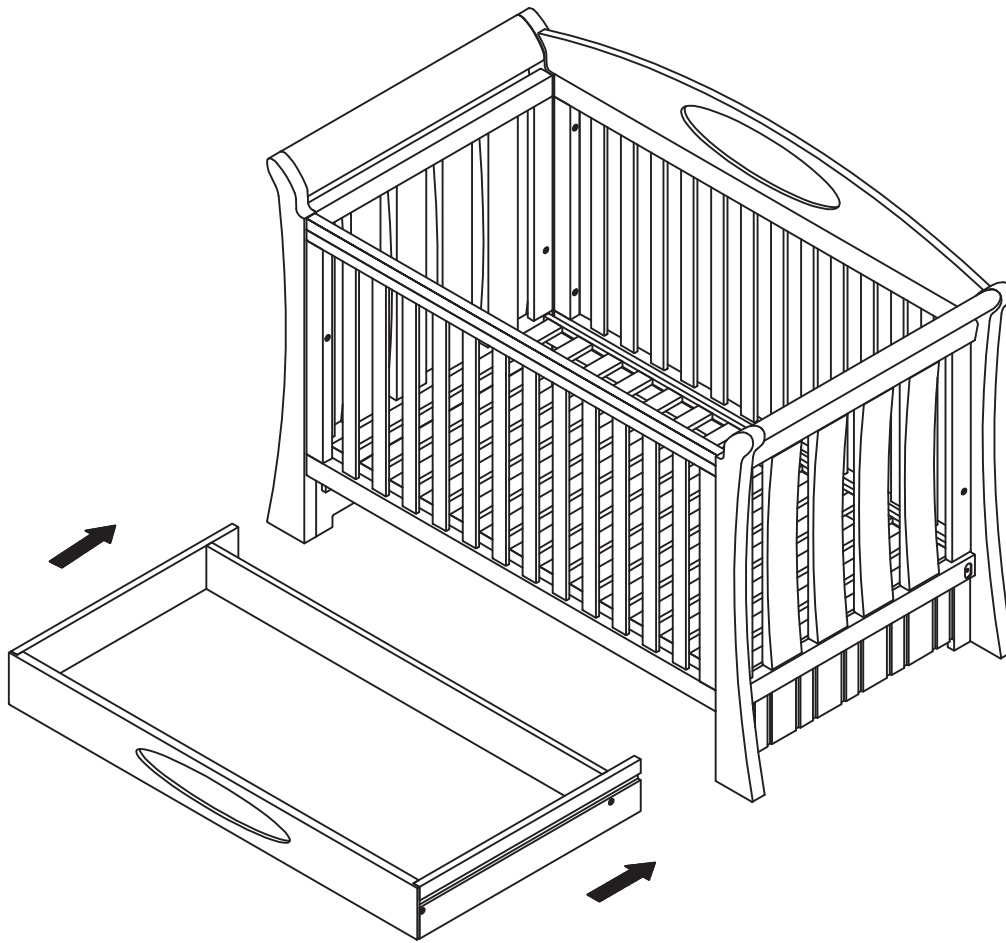
Step 12 Attaching the ends to the drawers



Attach the drawer side left (J) to drawer front (I) and drawer back (L) using 2 bolts (3) and nuts (9) and tighten with allen key (13)

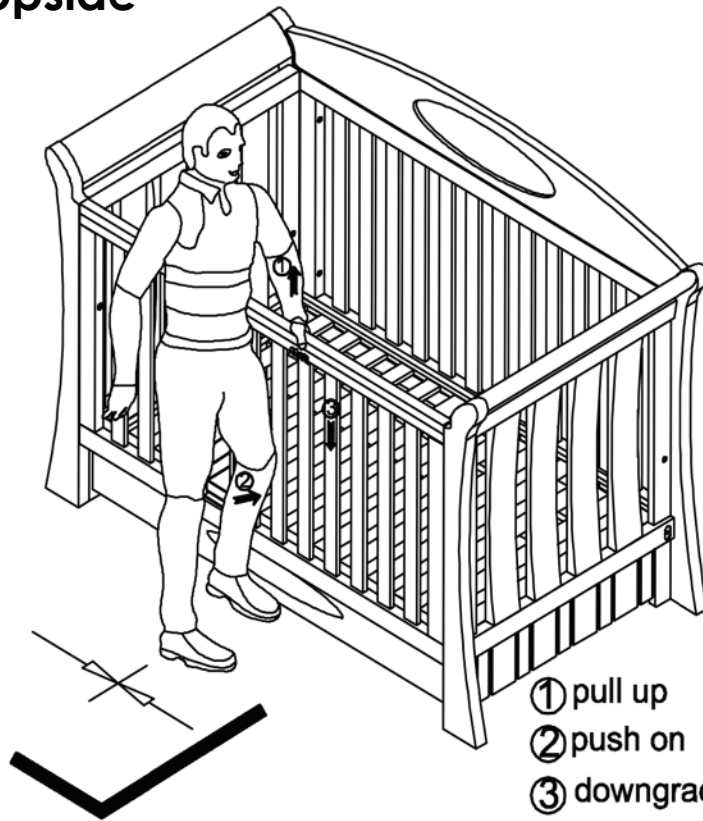
FIG 13.

Step 13 Attaching the drawer to the assembled cot

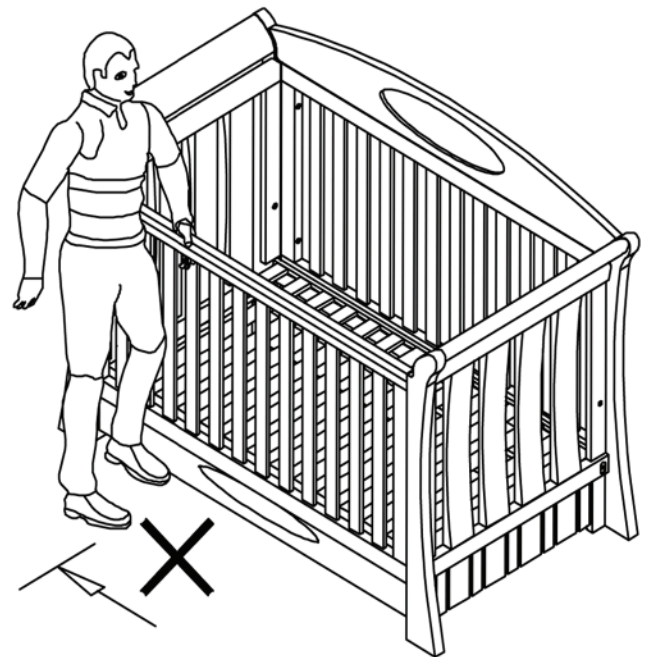
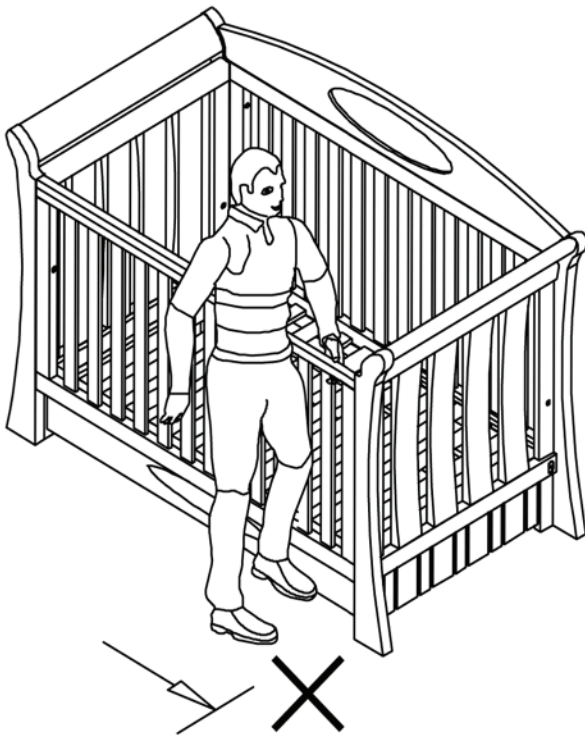


Attach the drawer on the runners located under the base.

Using the dropside



- ① pull up
- ② push on
- ③ downgrade



Adjusting the mattress base

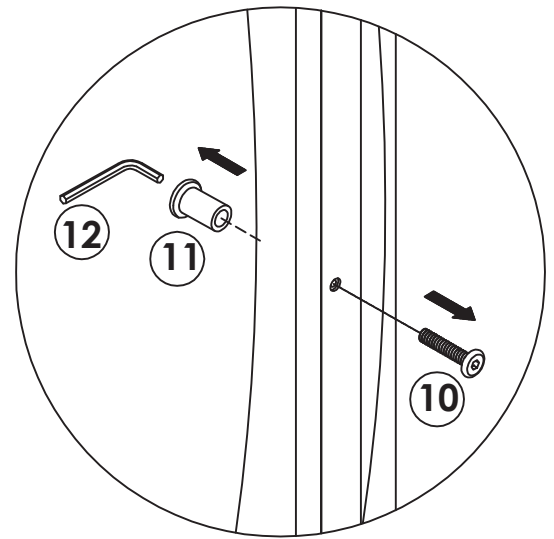
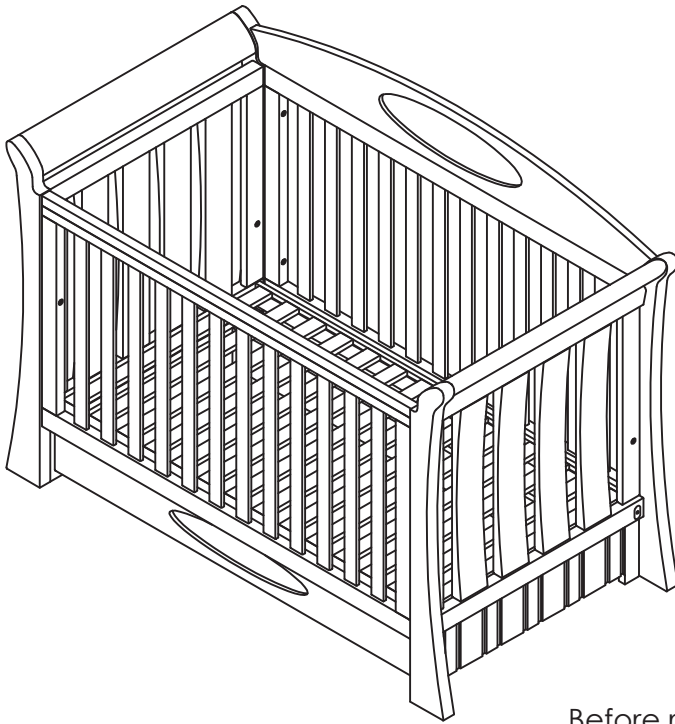


FIG 14.

Before raising the mattress base to the highest position, take out the bolts and nuts (11 and 10) as shown in fig 14.

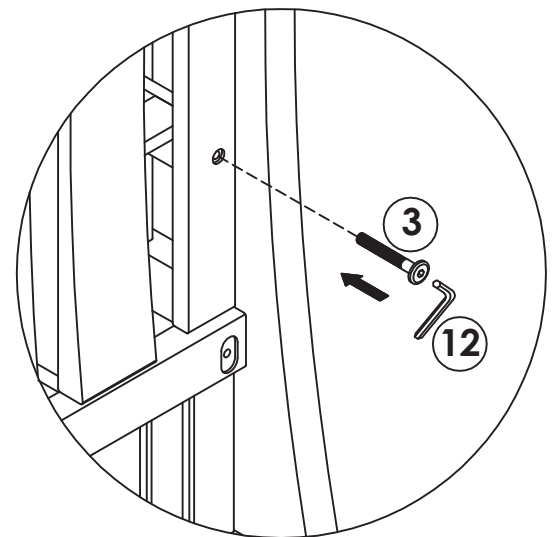
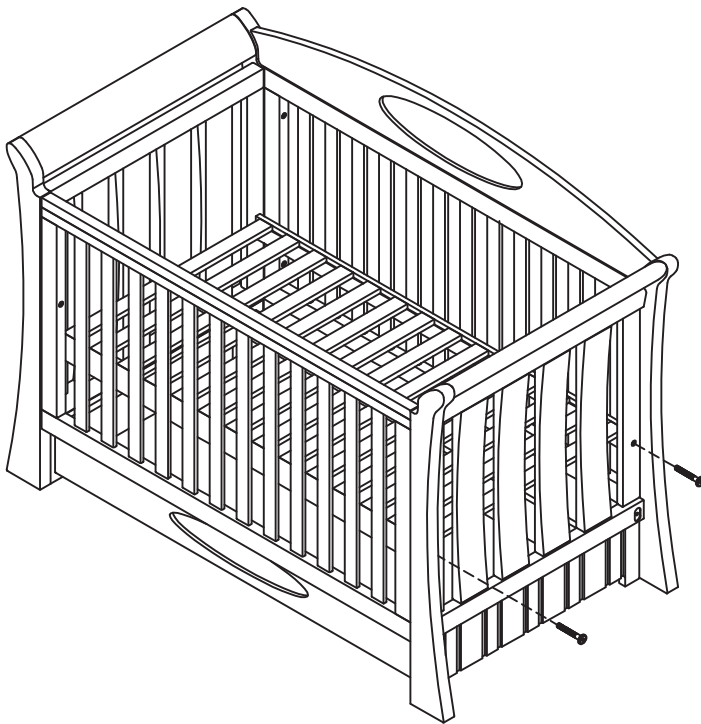


FIG 15.

Attach 4pc bolts (3) to the left and right sides to fix the mattress base to the cot. Tighten with allen key as shown in fig 15.

Attach 4 pcs bolt and cap (2 and 11) and iron plates (5) to fill out the holes (fig 16)

Warning: Please ensure the unused mattress base mounting holes on the end panels are blanked off with the supplied blanking screws and tightened to prevent finger entrapment and swallowing hazards.

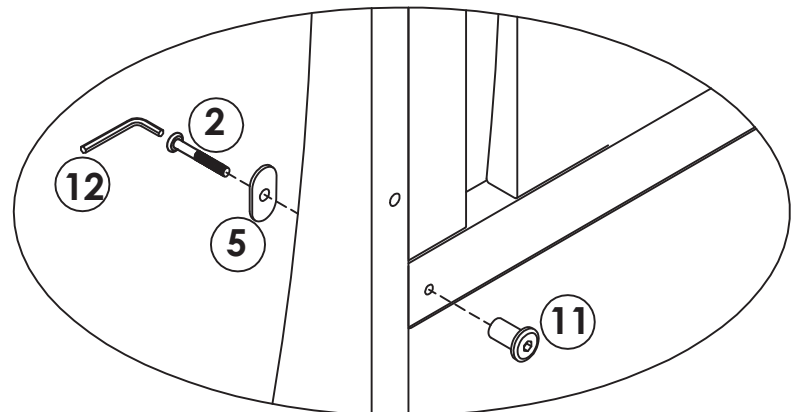
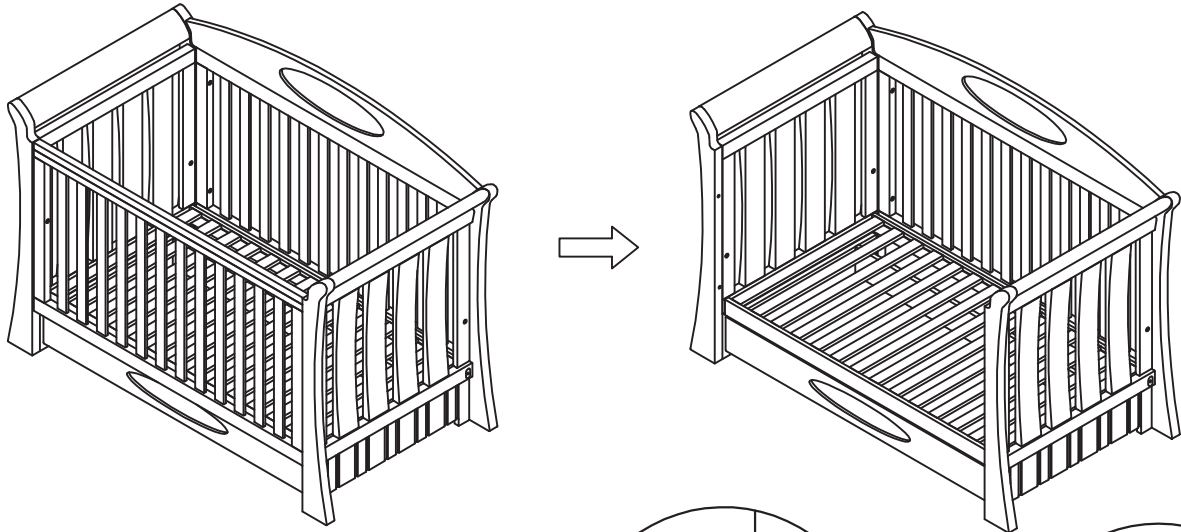


FIG 16.

Converting cot to Sofa



You will need to first loosen the base screw (10) with allen key (12) fig 18. Then you will need to remove the (4) bolt from the dropside and lift the dropside of the nails. Then you should uncrew the nail (fig 17) then tighten the base with the (10) bolts using allen key (12)

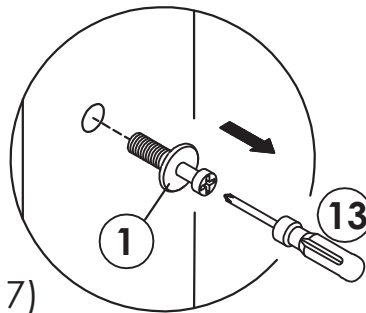


FIG 17.

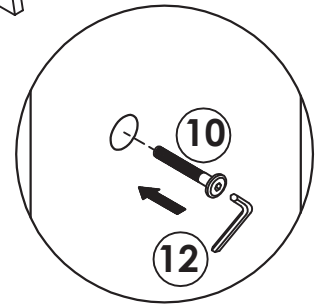
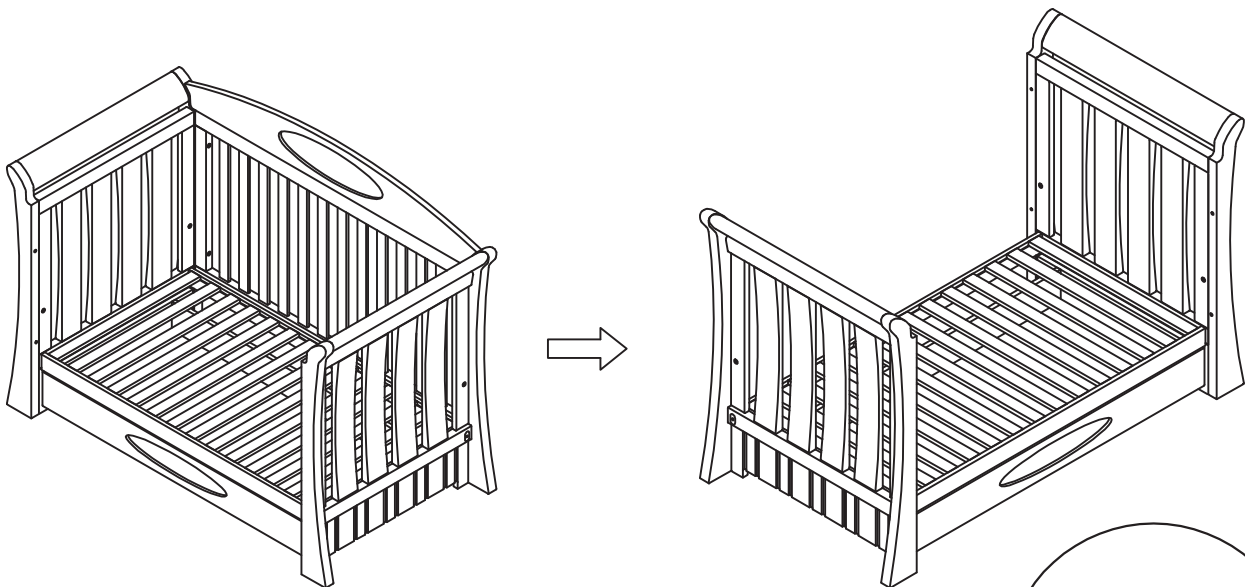


FIG 18.

Convert Sofa to Junior Bed



1. Remove the fixed side
2. attach the (10) screws into the hole as shown in fig 19.

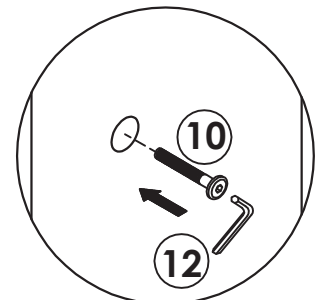
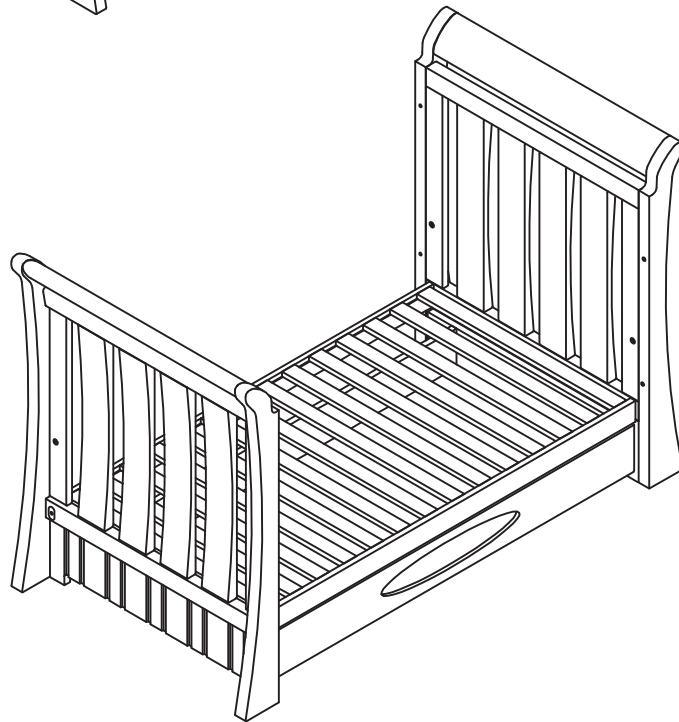
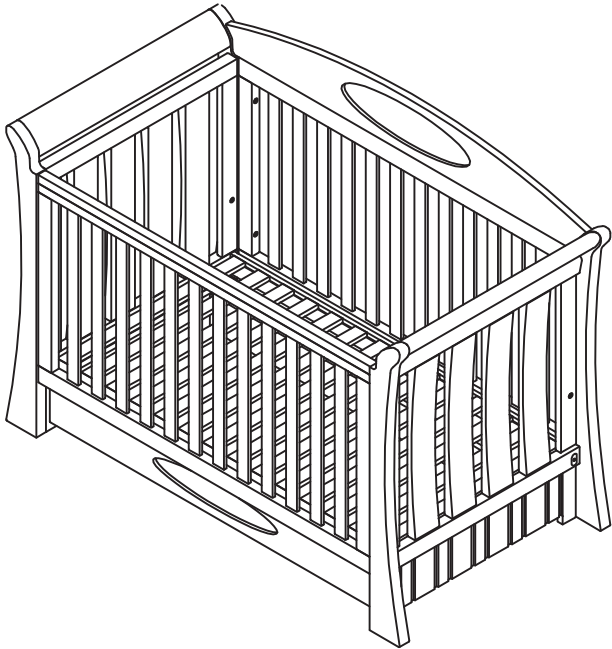


FIG 19.





CARE AND MAINTENANCE

ALL LOVE N CARE PRODUCTS HAVE ONE YEAR WARRANTY FROM THE DATE OF PURCHASE.

IT IS RECOMMENDED TO REGULARLY INSPECT AND MAINTAIN MOVEMENT OF LOCKING DEVICES AND SECURITY OF ESSENTIAL COMPONENTS.

REGULARLY CHECK ALL PARTS FOR WEAR AND TEAR.

YOUR FURNITURE MAY BE CLEANED BY WIPING WITH A DAMP CLOTH AND DRYING WITH A SOFT CLEAN CLOTH. DO NOT USE ABRASIVES, BLEACH, ALCOHOL OR AMMONIA-BASED HOUSEHOLD POLISHES.

TAKE CARE WHEN HANDLING OR MOVING THE FURNITURE. CARELESS HANDLING MAY CAUSE DAMAGE.

CHECK THE COTS SCREWS AND LOCKS TO MAKE SURE THEY ARE ALL KEPT IN GOOD WORKING ORDER.

IF ANY OF THE PARTS ARE MISSING OR BROKEN YOU SHOULD CONTACT THE MANUFACTURER AND DISCONTINUE USING THE COT UNTIL THEY ARE REPLACED.

WARRANTY AGAINST DEFECTS.

All Love n care products are guaranteed for twelve months from the date of purchase.

Our goods come with guarantees that cannot be excluded under the Australian Consumer Law.

You are entitled to a replacement or refund for a major failure and for compensation for any other reasonably foreseeable loss or damage. You are also entitled to have the goods repaired or replaced if the goods fail to be of acceptable quality and the failure does not amount to a major failure.

This covers against faults which develop through faulty materials and workmanship. Misuse, accidental damages, normal wear and tear or neglect are not covered.

If a fault becomes apparent, please return the item to the store of purchase with your receipt.

You must inform the store what the defect is. We will then arrange for its repair or it will be assessed for replacement as expediently as possible. The benefits of this warranty are in addition to other right and remedies under the law in relation to the goods or services to which this warranty relates.

If you are unable to return the item to the store of purchase, you can contact Love N Care on free call 1300 732 599. We will then organise for either somebody to inspect the item or arrange for a courier to pick it up and return it back to you.



Contact Us

Head Office:
Love N Care Pty Ltd.
297-299 Canterbury Rd, Revesby
NSW 2212 Australia
Contact No: 02 9774 4655
Fax: 02 9774 4633
Email: info@lovencare.com.au
Website: www.lovencare.com.au

let's be friends!

 <http://www.facebook.com/lovencare1>

 http://twitter.com/love_ncare



100 % AUSTRALIAN OWNED SINCE 1984

love^hncare™
lovencare.com.au