

KAMBROOK

THE SMARTER CHOICE

Snugasabug[®] Fitted Electric Blanket

Suits models KEB413/KEB433,
KEB513/KEB533 (with polyester
fleece cover)



Instruction Booklet

Important

Please retain your instruction book for future use.

In the event that you need some assistance with your Kambrook appliance, please contact our Customer Service Department on 1300 139 798 (Australia) or 09 271 3980 (New Zealand). Alternatively, visit us on our website at www.kambrook.com.au

Contents

Kambrook Recommends Safety First	p4
Your Snugasabug® Fitted Electric Blanket	p6
Using your Snugasabug® Fitted Electric Blanket	p7
Care and Cleaning	p10
Warranty Details	p12

Kambrook Recommends Safety First

IMPORTANT: Please retain your instruction book for future use.

Electric Blanket Type: KEB110, KEB210, DEB100 and DEB200

At Kambrook, we believe that safe performance is the first priority in any consumer product, so that you, our valued customer can confidently use and trust our products. We ask that any electrical appliance that you use be operated in a sensible fashion with due care and attention placed on the following important operating instructions.

Important Safeguards For Your Kambrook Snugasabug® Fitted Electric Blanket

- Carefully read all instructions before operating the Kambrook Snugasabug® Fitted Electric Blanket and save for future reference.
- Remove any packaging material and promotional stickers before using the Kambrook Electric Blanket for the first time.
- Use the Electric Blanket only with the detachable controller KB51 provided. Refer to the markings on the heating unit for the model number of the controller.
- Connect only to a 230V or 240V power outlet.
- Use this blanket as an under blanket only.
- Not recommended for futons or similar folding bedding systems.
- This blanket is not recommended to be used on an adjustable bed. If used on an adjustable bed, check that the blanket or cord cannot become caught, creased, kinked or damaged in any way.
- Make sure that the heating area (wire element) on any side of the bed does not hang over the edge of the mattress and that the following instructions are read carefully before using the blanket.
- Do not use this blanket with an infant, an infirm person or anyone insensitive to heat.
- Use only for human use, not for pets.
- Overly extended application at a high setting can result in skin irritation or burns.
- Avoid sharp objects. Do not insert pins or any sharp objects into the electric blanket as they may damage the electrical wiring.
- Do not use pins – they may damage the electric wiring.
- Do not use folded, rucked or rolled.
- Do not tuck in.
- Do not use creased, folded or damaged in any way.
- Keep control unit away from an open window.
- Be sure that this blanket is used only on an alternating current supply circuit of correct voltage.
- The flexible power supply cord and controller must, as far as practicable, be kept outside the bed.
- Be sure that the electric blanket is installed so that at all times the flexible supply plug is adjacent and accessible to the main power outlet.
- Do not use the electric blanket if it is wet
- Switch off at the power outlet and remove plug when this blanket is not in actual use.
- This blanket must be kept in the fully spread condition at all times during use to avoid overheating. It is imperative

that the blanket be frequently inspected to ensure that this condition is being maintained.

- Regularly inspect the electric blanket, power supply cord, plug and controller for any wear, damage or misuse. If signs of these are detected, immediately cease use of the appliance and return the entire unit to your nearest Kambrook Service for examination, replacement or repair.
- Bed clothes should not be folded back when the blanket is switched on. Do not leave heavy objects on the bed when the unit is switched on.
- Arrange the blanket so that the heating wires are not beneath pillows and/or bolsters.
- Person suffering from bed-wetting should only use product specifically designed for this condition.
- The blanket must not be used over or under a waterbed.
- If any abnormality or defect in operation of this blanket is observed, discontinue its use immediately and consult the manufacturer or a licensed electrician.
- There are no customer serviceable parts inside. The electric blanket is fitted with

a specially designed controller and no attempt should be made to repair it or to replace the protective fuse. Have the electric blanket serviced only by a qualified service agent at your nearest Kambrook Service Centre.

- When storing the electric blanket, allow it to cool down before folding
- When storing, fold neatly but not tightly (or roll) in the original packaging without sharp bends in the heating element and store where no other objects will be placed upon it.
- Do not dry clean this blanket. Cleaning liquids may have a deleterious effect on the insulation covering of the heating unit. It is recommended to follow instructions for localized soiling or washing if soiling occurs. Please refer to Care and Maintenance instructions.
- This appliance is for domestic use only. Not intended for medical use in hospitals.
- Avoid pressing creases into the appliance.
- It is recommended that a qualified and registered person inspect the electric blanket after each 3 years of use.

Important Safeguards For All Electrical Appliances

- Fully unwind the power cord before use.
- Do not let the power cord hang over the edge of a bench or table, touch hot surfaces or become knotted.
- The appliance is not intended for use by persons (including children) with reduced physical, sensory or mental capabilities, or lack of experience and knowledge, unless they have been given supervision or instruction concerning use of the appliance by a person responsible for their safety.
- Children should be supervised to ensure that they do not play with the appliance.
- It is recommended to regularly inspect the appliance. To avoid a hazard do not use the appliance if power cord, power plug or appliance becomes damaged in any way. Return the entire appliance to the nearest authorised Kambrook Service Centre for examination and/or repair,

or contact Customer Service on 1300 139 798.

- Any maintenance other than cleaning should be performed at an authorised Kambrook Service Centre.
- This appliance is for household use only. Do not use this appliance for anything other than its intended use. Do not use in moving vehicles or boats. Do not use outdoors. Misuse may cause injury.
- The installation of a residual current device (safety switch) is recommended to provide additional safety protection when using electrical appliances. It is advisable that a safety switch with a rated residual operating current not exceeding 30mA be installed in the electrical circuit supplying the appliance. See your electrician for professional advice.

Your Snugasabug® Fitted Electric Blanket

KEB413	Large Single	approximately 900x1880mm	no cover
KEB433	Double/Queen	approximately 1460x1880mm	no cover
KEB513	Large Single	approximately 900x1880mm	fleecy cover
KEB533	Double/Queen	approximately 1460x1880mm	fleecy cover

1. Fully fitted design with skirt (40cm skirt for KEB413 and KEB513. 45cm skirt for KEB433 and KEB533).
2. Machine washable and tumble dry electric blanket.
3. Removable fleecy cover for easy cleaning (KEB513 and KEB533 models only).
4. Extra foot warmth for extra heat around your feet.

Controller

5. 6 Heat Settings for your comfort choice.
6. Detachable controller is easily removed from the electric blanket, so your electric blanket can be washed. Consists of the controller, cord and plug.
7. Dual controllers offered with the Double / Queen (KEB433 and KEB533 models) for individual comfort.
8. ON/OFF slide switch



Using Your Snugasabug® Fitted Electric Blanket

Before First Use

Remove any promotional material and packaging from the electric blanket.

Securing Your Fitted Electric Blanket

Place the electric blanket on the mattress, so that the skirt is visible and the controller is under the electric blanket and exits through the skirt aperture. Ensure the heating wire section on the electric blanket is clear of the pillow.

Pull the elastic inside the fitted skirt over the ends of the mattress. Ensure to pull the middle of the blanket so that the blanket is evenly stretched and distributed over the entire mattress, to ensure creases or rucking is not evident. No heating wire must be trapped or tucked into any part of the bed. Ensure the elastic of the blanket skirt is completely under the entire mattress and secure.

NOTE: Ensure that the blanket is stretched completely flat when placed on the mattress and creases or rucking is not evident.



CAUTION: No heating wire must be trapped or tucked into any part of the bed.

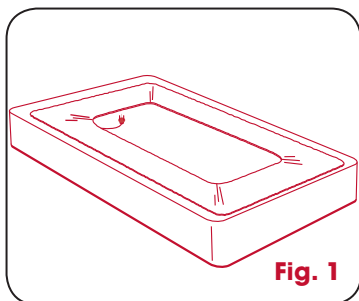


Fig. 1

NOTE: On model KEB413 the blanket can be turned over so that the controller is located on either side of the bed.

NOTE: The blanket material must not be wider than the mattress with which it is to be used. It is normal for a small section of the fitted skirt to be showing on top of a larger sized mattress.

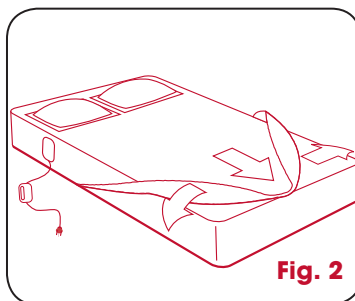


Fig. 2

Using Your Snugasabug® Fitted Electric Blanket continued

Pass the controller and cord through the apertures in the skirt section of the blanket.

Ensure that when the blanket is fitted onto the mattress the controller/s and flexible power supply are outside of the bed and coverings and located in a position that will prevent accidental damage to the housing and cords

Use this blanket only as an under blanket and do not use above the occupant of the bed.

Fixing The Removable Cover (Only KEB513 and KEB533 models)

When fixing the removable cover in position, ensure the fleecy side of the cover is on the uppermost side. Secure the removable cover using the studs fastened over the complete cover.

There should be no rucking of the removable cover when the studs are completely fastened.

No other cover other than that supplied with the blanket should be used with the electric blanket.

To Connect The Controller

Your blanket has a detachable controller and waterproof element which makes it machine washable.

Ensure the electric blanket controller is in the 'OFF' position and not connected to the 230V or 240V power supply.

To connect your controller, thread the detachable plug from the controller through the slot in the mesh skirt and plug it fully into the socket.

Ensure that the locking clip engages with the small plastic pin on the plug.

To Detach The Controller

The socket has a locking clip that engages with a small pin on the plug.

Ensure the electric blanket controller is in the 'OFF' position and not connected to the 230V or 240V power supply.

With the controller set to the 'OFF' position, push the clip out to release the socket pin and withdraw the connector plug by pulling it away from the socket.

Storing Your Control Unit

Remove the controller when laundering your blanket. Store your controller during summer months while your blanket remains on the bed as a comfortable underblanket.

Dual Control Units

Your Double/Queen size electric blanket features two controls for individual comfort.

Turning Your Fitted Electric Blanket On

Ensure the electric blanket controller is positioned in the 'OFF' position. Move the switch on the controller in an upward direction and the word 'OFF' will be displayed.

Plug the cord into a 230V or 240V power outlet and switch the power on.



Setting the Heat Temperature

Your 6 heat controller features an ON/OFF slide switch plus an easy to use dial to select the temperature setting.



To switch the blanket on, move the switch in a downward direction to the 'ON' position.

Adjust the heat temperature by rolling the dial to select the desired temperature setting between 1 and 6. Setting 1 is the lowest setting and 6 is the highest. The 6 settings allows you to choose the right balance of heat depending on your personal requirements. The numbers on the electric blanket controller correspond to the following temperatures:

1-2 = Low heat (for low, or gentle heat)

3-4 = Medium heat

5-6 = High heat (recommend for preheating only)

NOTE: Use the high heat setting to preheat your bed only.

The heat setting display screen is illuminated when the blanket is turned on, to enable easy adjustment in the dark.

To switch the blanket off, move the switch in an upward direction to the 'OFF' position.

NOTE: On initial use it is recommended that the blanket be set on '6' for 3 hours before sleeping on the bed. This will assist in drying out any moisture which has been accumulated in the mattress.

You may notice an odour when using the electric blanket for the first time, due to the insulation material. This is harmless and will subside quickly.

It is recommended that you do not sleep on the electric blanket when it is switched on. Should you choose to leave your blanket on all night; setting 1 can be used.

Your blanket has a detachable controller and waterproof element which makes your blanket safe to machine wash.

Care and Cleaning

Do not dry clean. Do not iron. Use only the following instructions:

Before cleaning, ensure that the controller is unplugged from the power supply and detached from the blanket.

Spot Cleaning

Sponge the affected area using a luke warm neutral detergent or mild soapy solution. Follow this with a sponging using a clean water solution. Remove any excess water by compressing the wet area between absorbent towels.

Hand Washing

Immerse only the electric blanket in a luke warm neutral detergent or mild soapy solution.

Soak for five minutes, remove from the solution, and gently squeeze the solution through the electric blanket.

Rinse only the blanket thoroughly, in clean luke warm water, gently squeeze and drain the excess water from the electric blanket.



CAUTION: The controller must be removed from the blanket when washing.



CAUTION: Do not wring the electric blanket.



WARNING: Never immerse the detachable controller in water or any other liquid.

Machine Washing

Your electric blanket can be washed in a domestic washing machine (size permitting) or by a commercial laundry.

To wash your blanket in a domestic washing machine, wash on the WOOL or DELICATES setting using a neutral wool detergent or mild soapy solution.

DO NOT wash on a HOT cycle, the temperature must be kept below 40°C.

Do not use high speed or extra spin cycles.

Do not machine wash with the control/s connected to the blanket.

Washing the Removable Fleecy Cover

The KEB513 and KEB533 electric blankets have a fleecy electric blanket cover that can be removed and separately washed.

Once removed from the electric blanket this cover can be either hand washed as per instructions listed above or machine washed. This fleecy cover can be washed in a domestic washing machine (size permitting) or by a commercial laundry. To wash this cover in a domestic washing machine, wash on the WOOL or DELICATES setting using a neutral wool detergent or mild soapy solution.

Once washed, ensure to stretch the blanket into its original shape whilst damp to prevent distortion during drying.

Dry naturally by draping over a clothes lines or tumble dry on LOW setting only. Do not dry in a stretched position. Do not Iron.

DO NOT wash on a HOT cycle, the temperature must be kept below 40°C.

Do not use high speed or extra spin cycles.

Drying

Drape the electric blanket across a clothes line and drip dry. DO NOT use pegs to secure the electric blanket in position. DO NOT dry with a hair dryer or heater.

Tumble Drying

You may tumble dry your blanket on LOW setting for 15 minutes MAXIMUM.

Smooth the blanket by gently pulling any creases out of the fabric.

Do not dry with the control/s connected to the blanket.

Storage

When not in use, pack the electric blanket in its original packaging for best protection and store in a cool, clean and dry location.

Avoid pressing sharp creases into the blanket and store where no objects will be placed upon it.

Detach the control/s from the blanket when storing.

NOTE: Store your controller during summer months while your blanket remains on the bed as a comfortable underblanket.

Kambrook 36 Month Replacement Warranty

In Australia, this Kambrook Replacement Warranty does not affect the mandatory statutory rights implied under the Trade Practices Act 1974 and other similar State and Territory legislation relating to the appliance. It applies in addition to the conditions and warranties implied by that legislation.

In New Zealand, this Kambrook Replacement Warranty does not affect your mandatory statutory rights implied under the Consumer Guarantees Act 1993 in relation to the appliance. It applies in addition to the conditions and guarantees implied by that legislation.

This Kambrook Replacement Warranty is valid only in the country of purchase, but other statutory warranties may still apply.

This Warranty card and the purchase receipt for this product are to be retained as proof of purchase and must be presented if making a claim under the Kambrook Replacement Warranty. Please note that under any applicable statutory warranty you are not required to produce these documents, but may be required to provide a proof of purchase.

Kambrook warrants the purchaser against defects in workmanship and material for a period of 36 months domestic use from the date of purchase (or 3 months commercial use).

The Kambrook Replacement Warranty does not apply to any defect, deterioration, loss, injury or damage occasioned by, or as a result of, misuse or abuse, negligent handling or if the product has been used other than in accordance with the instructions. The Kambrook Replacement Warranty excludes breakables such as glass and ceramic items, consumable items and normal wear and tear.

This Kambrook Replacement Warranty is void if there is evidence of the product being tampered with by unauthorised persons.

If the product includes one or a number of accessories only the defective accessory or product will be replaced. Subject to your statutory rights, in the event of Kambrook choosing to replace the appliance, the Kambrook Replacement Warranty will expire at the original date, i.e. 36 months from the original date of purchase.

In the event that you need some assistance with your Kambrook appliance, please contact our Customer Service Department on 1300 139 798 (Australia) or 09 271 3980 (New Zealand). Alternatively, visit us on the website at www.kambrook.com.au

Kambrook 36 Month Replacement Warranty

Your Purchase Record (Please Complete)

Attach a copy of the purchase receipt here.

Date Of Purchase _____

Model Number _____

Serial Number _____

Purchased From _____

(Please don't return purchase record until you are making a claim)

Register your warranty at www.kambrook.com.au/service.asp

Kambrook - Australia
Building 2, Port Air Industrial Estate
1A Hale Street
Botany NSW 2019
Australia
Customer Service Line 1300 139 798
Customer Service Fax 1800 621 337

Kambrook - New Zealand
Private Bag 94411
Botany, Manukau
Auckland 2141
New Zealand
Customer Service Line/Spare Parts
0800 273 845 or 09 271 3980
Customer Service Fax 0800 288 513

KAMBROOK
THE SMARTER CHOICE

Due to continual improvement in design or otherwise, the product you purchase may differ slightly from the illustration in this book. Issue 1/10