

GB

English, 1

AS600VX

Contents

Important information, 2

Installation, 3-4

- Where to put your dryer
- Ventilation
- Electrical connection
- Levelling
- Before you start using your dryer

Dryer description, 5

- The front
- The back
- Control panel

Start and programmes, 6-7

- Choosing a programme
- Table of programmes

Laundry, 8-9

- Sorting your laundry
- Wash care labels
- Special clothing items
- Drying times

Warnings and Suggestions, 10

- General safety
- Disposal
- Saving energy and respecting the environment

Maintenance and Care, 11

- Switching off the electricity
- Cleaning the filter after each cycle
- Check the drum after each cycle
- Cleaning the dryer

Troubleshooting, 12

Service, 13

- Spare parts

! Keep this instruction booklet on hand in order to refer to it when necessary. Take it with you when you move, and should you sell this appliance or pass it on to another party, make sure that this booklet is supplied along with the dryer so that the new owner may be informed about warnings and suggestions on how the appliance works.

! Read these instructions carefully; the following pages contain important information on installation and suggestions on how the appliance works.

Important Information

GB

For your Venting dryer to operate efficiently, you must follow the regular maintenance schedule shown below:

Fluff Filter...

! You MUST clean the fluff filter after EVERY drying cycle.

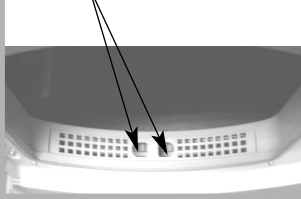
STEP 1.

Open the door of your dryer.



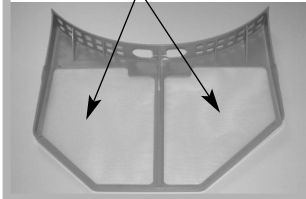
STEP 2.

Pull out the filter (using the two finger grips).



STEP 3.

Clean any fluff deposits from the filter mesh.



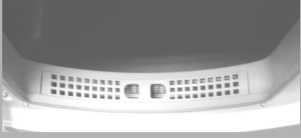
STEP 4.

Refit the filter.
- Make sure the arrows are facing you.



STEP 5.

Make sure the filter is pushed fully home.
- NEVER run the dryer without the filter in position.

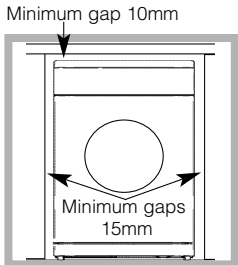


! Failure to clean the filter after EVERY drying cycle will affect the drying performance of your machine.
- It will take longer to dry and as a result will use more electricity during drying.

! You MUST clean fluff build up around the filter housing and the vent tube periodically, EVERY two or three months:
- Check the vent tube and any permanent venting fixture to make sure that there has been no accumulation of fluff or lint, and remove it.
- Remove lint that collects around the filter and the outlet vents.

Where to put your dryer

- Place your dryer at a distance from gas ranges, stoves, heaters, or cook tops because flames can damage the appliance.
- If you are going to install the appliance under a work counter, be sure to leave a 10mm space between the top and any other objects on or above the machine and a 15mm space between the sides and lateral furnishings or walls. This is to ensure proper air circulation. Make sure that the back vents are not obstructed.
- Make sure you put your dryer in an environment that is not damp and has proper air circulation throughout. The dryer will not operate efficiently in an enclosed space or cupboard.



! We do not recommend that the dryer is installed in a cupboard because dangerous levels of heat can build up.

! The appliance must not be installed behind a lockable door, a sliding door or a door with a hinge on the opposite side to that of the tumble dryer in such a way that a full opening of the tumble dryer door is restricted.

Ventilation

The Dryer dries your laundry by drawing in cool, clean and relatively dry air, heating it, and then distributing it through the clothes as they are gently tumbled. For optimum performance, the moist air is then blown out through a vent tube at the back of the dryer.

When the dryer is in use, there has to be adequate ventilation to avoid the back flow of gases into the room from appliances burning other fuels, including open fires.

Mobile venting

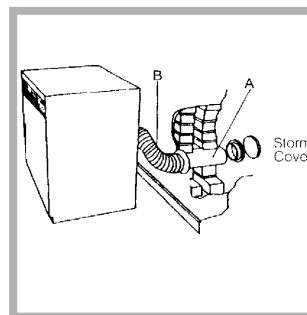
A vent tube must always be fitted when the dryer is used in conjunction with Mobile Venting. The tube must be fitted securely into the back of the dryer (*see Dryer Description*). If possible, it is always best to connect the tube to a permanent outlet vent close to the dryer. If permanent installation is not possible, the dryer will work just as well with the tube passing through a partly-opened window.

! Ensure that the end of the tube is not directed toward the air intake vent at the rear of the dryer.

! The vent tube should not exceed 2.4 metres in length and should be kept free of any possible accumulation of fluff, lint and water by shaking it out frequently. Always ensure that the tube is not squashed.

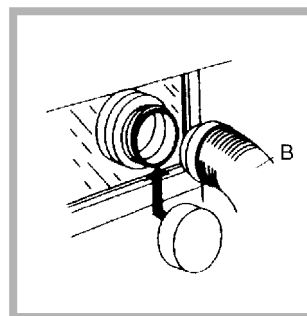
Permanent venting

In conjunction with the vent tube we recommend using a Wall/Window Vent Kit, available at a retail location or the nearest Spare Parts Dealer.



Wall mounting

1. Leave an opening in the wall to the left of the dryers proposed position.
2. Keep the tube as short and straight as possible to prevent condensed moisture from backing up into the dryer.
3. Similarly, the duct in the wall should slope downwards towards the outside.



Window mounting

1. With a stacked dryer the hole in the window should ideally be made below the vent.
2. The tube should be kept as short as possible.

Depending on how often you use your dryer, it is essential that areas A and B are checked periodically to remove lint or debris.

The vent tube adaptor must be fitted securely thus preventing any humid air from being emitted back into the room.

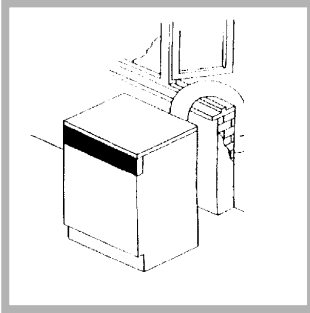
! The Dryer should not be pushed so far back that the tube adaptor is pulled out of position or the tube is squashed or bent.

! The tube should be kept clear of the air intake vent and kinks or 'U' bends must be avoided as these will obstruct the tube or trap condensation.

Installation

GB

Open window venting



The end of the tube should be directed downwards, to prevent warm moist air from condensing in the room or in the dryer.

- ! Ensure that the dryer is adequately ventilated and that the end of the vent tube is not directed towards the air intake duct.
- ! The vent tube must always be fitted for optimum performance.
- ! Make sure that the vent tube and air intake vents are not obstructed or blocked.
- ! The dryer must not recycle exhaust air.
- ! Misusing a tumble dryer may create a fire hazard.
- ! Do not discharge exhaust air into a flue which is used for exhaust fumes from other appliances that burn gas or other fuels.
- ! Do not discharge exhaust air into an extraction system or any duct with an extractor fan. This will affect the way the thermal controls operate and can result in a fire hazard.

Electrical connections

Make sure of the following before you insert the plug into the the electrical socket:

- The socket must be grounded.
- The socket must be able to sustain the machines maximum power, which is indicated on the rating label (*see Dryer Description*).
- Power voltage must be within the values indicated on the rating label (*see Dryer Description*).
- The socket must be compatible with the dryers plug. Should this not be the case, replace the plug or the socket.

! The dryer must not be installed outdoors, even if the space is sheltered. It can be very dangerous if it is exposed to rain or storms.

! Once installed, the dryers electrical wire and plug must be within easy reach.

! Do not use extension cords.

! The power cord must not be bent or squashed.

! The power supply cord should be checked periodically and replaced by a cord specially prepared for this dryer and fitted only by authorised technicians (*see Service*). New or longer power cords are supplied at an extra charge by authorised dealers..

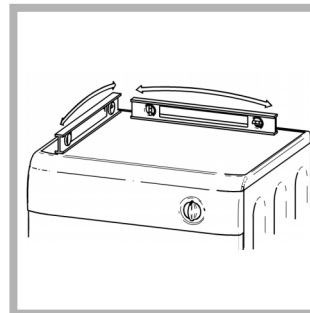
! Ensure that any portable outlet or extension lead is positioned so that it is not subjected to any splashing or ingress of moistures.

! The manufacturer denies any responsibility should any of these rules not be followed.

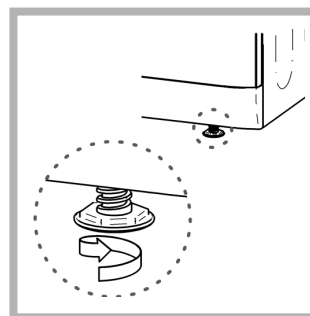
! If in doubt about any of the above consult a qualified electrician.

Levelling your dryer

The dryer must be installed level for correct operation.



When you have installed your dryer in its final location check that it is level first side to side, then front to back.



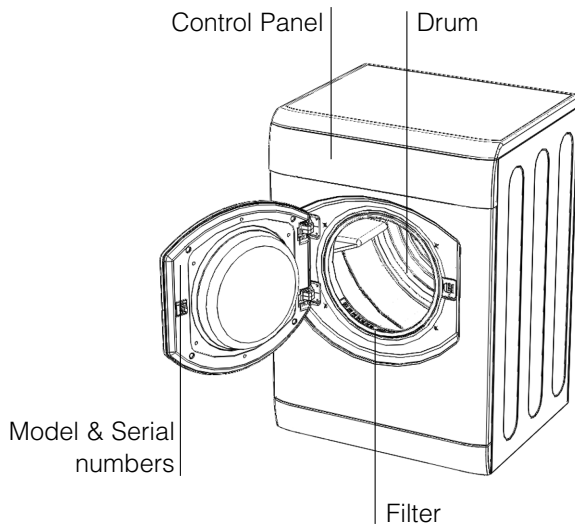
If the dryer is not level, use a wooden block to support it while adjusting the two front legs up or down, until your dryer is level.

Before you start using your dryer

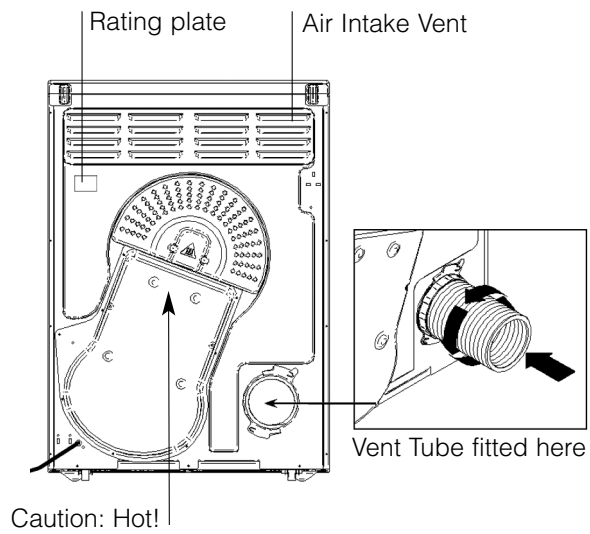
Once you have installed your dryer and before you use it, clean the inside of the drum to remove any dust that could have accumulated during transport.

Dryer Description

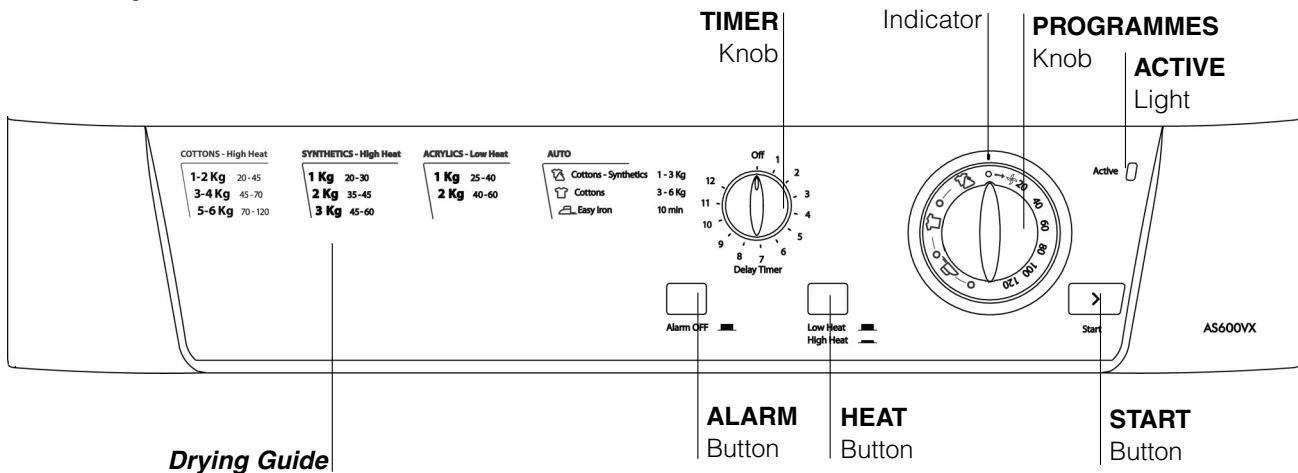
The front




The back





Control panel




The **START** button  begins drying a selected programme (*see Start and Programmes*).

The **HEAT** button selects drying temperature (*see Start and Programmes*).

OUT: Low heat 
 IN: High heat 

The **ALARM** buzzer signals the end of a drying cycle.

IN: Buzzer ON
 OUT: Buzzer OFF 

The **ACTIVE** indicator light signals that your dryer is in use. This light will glow when the Start button is pressed. It will remain on until the door is opened or the power is turned off. This light will be on during a delayed start programme.

The *Drying Guide* allows you to consult a user friendly table of fabric types and load capacities.

The **TIMER** knob sets a delay on the dryer's start time. Rotate it clockwise until you reach the number of hours you want to delay the start time: If you have gone too far, turn the knob counter-clockwise (*see Start and Programmes*).

The **PROGRAMMES** knob sets the programme: rotate it clockwise, **never counter-clockwise**, until the indicator is pointing to the programme you want to select (*see Start and Programmes*).

Start and Programmes

GB

Choosing a programme

1. Plug the dryer into the electrical socket.
2. Sort your laundry according to fabric type (*see Laundry*).
3. Open the door and make sure the filter is clean and in place (*see Maintenance*).
4. Load the machine and make sure items are not in the way of the door seal. Close the door.
5. Choose the drying programme by checking the Programmes table (*see Programmes*) as well as the indications for each type of fabric (*see Laundry*).
 - Set the temperature with the HEAT button.
 - Select a programme or drying time by rotating the PROGRAMMES knob clockwise.
6. Set a delay time by using the TIMER knob if necessary.
7. If you wish to eliminate the buzzer sound, press the ALARM button.
8. Press the START button to begin. The DRYING indicator light will turn on and will stay on, even during the delay. The indicator light will remain on until you open the dryer door. During the drying programme, you can check on your laundry and take out items that are dry while others continue drying. When you close the door again, press the START button in order to resume drying.
9. About 10 minutes before the programme is completed, it enters the final COOL TUMBLE phase (fabrics are cooled), which should always be allowed to complete.
10. The buzzer will warn you when drying is complete. Open the door, take the laundry out, clean the filter and replace it (*see Maintenance*).
11. Unplug the dryer.

Start and Programmes

Programmes

Programme	What it does...	How to set it...	Note:
Automatic Drying (average loads)	Dries completely: your clothes are ready to be worn. For average loads (from 1 to 3kg) of Cotton , polycotton or synthetics .	1. Select High Heat by pressing the HEAT button. 2. Position the PROGRAMMES knob on . 3. Press the Start button , the Active light will turn on.	! If you select Low Heat, this programme will not dry your clothes. For Acrylic fibres or small loads select Timed Drying. This programme can also be used for large loads if you require a slightly drier result.
Automatic Drying (large loads)	Dries completely: your clothes are ready to be worn. For large loads (from 3 to 6kg) of Cotton .	1. Select High Heat by pressing the HEAT button. 2. Position the PROGRAMMES knob on . 3. Press the Start button , the Active light will turn on.	! If you select Low Heat, this programme will not dry your clothes. For Acrylic fibres or small loads select Timed Drying. This programme can also be used for average loads if you prefer a damper result.
Easy Iron	Brief programme (approximately 10 minutes) that softens fibres of clothing that is ready for ironing.	1. Select High Heat by pressing the HEAT button. 2. Position the PROGRAMMES knob on . 3. Press the Start button , the Active light will turn on.	! This is not a drying programme (<i>see below</i>).
Timed Drying up to 120 minutes	Dries wet clothes that will be ironed, Acrylic fibres , or small loads (less than 1kg). If you prefer a timed programme can be used for other fabrics on High or Low heat as appropriate (<i>see Laundry</i>).	1. Select required heat setting High Heat or Low Heat by pressing the HEAT button. 2. Position the PROGRAMMES knob on the desired time. 3. Press the Start button , the Active light will turn on.	Consult suggested drying times (<i>see Laundry</i>).
Cool Tumble	Use to refresh fibres of clothing (approximately 10 minutes).	1. Position the PROGRAMMES knob on . 2. Press the Start button , the Active light will turn on.	! This is not a drying programme (<i>see below</i>).

Cool Tumble Phase

This is the programmes final phase. Approximately 10 minutes before the finish, the knob advances automatically to the Cool Tumble Phase. Heating elements turn themselves off and clothing is cooled down, after this the Buzzer will sound (if selected) and the clothing is ready to be taken out.

! Always allow the dryer to complete this phase so that the items are left at a temperature which ensures the items will not be damaged.

Easy Iron Programme

'Easy Iron' is a short 10 minute programme (8 minutes of heat followed by a 2 minute cool tumble period) which fluffs the fibres of clothing that have been left in the same position/location for an extended period of time. The cycle relaxes the fibres and makes them easier to iron and fold.

! 'Easy Iron' is **not a drying programme** and should not be used for wet articles of clothing.

For best results:

- Do not load more than the maximum capacity.

These numbers refer to the dry weight:

Fabric	Maximum load
Cotton and Cotton mixtures	2.5kg
Synthetics	2kg
Denim	2kg

- Unload the dryer immediately after the end of the programme, hang, fold or iron the articles and put them away in the closet. Should this not be possible repeat the programme.

The 'Easy Iron' effect varies from one fabric to the next. It works well on traditional fabrics like Cotton or Cotton mix, and less well on acrylic fibres and on materials such as Tencel®.

Laundry

GB

Sorting your laundry

- Check symbols on clothing labels to make sure that the articles can be tumble dried.
- Sort laundry by fabric type.
- Empty pockets and check buttons.
- Close zippers and hooks and tie loose belts and strings.
- Wring out each item in order to eliminate as much excess water as possible.

! Do not load dripping wet clothes into the dryer.

Maximum load size

Do not load more than maximum capacity.

These numbers refer to dry weight:

Natural fibres: 6kg max (13lb)

Synthetic fibres: 3kg max (6.6lb)

! DO NOT overload the dryer as this could result in reduced drying performance.

Typical load

Note: 1kg = 1000g (1lb = 16oz)

Clothes			
Blouse	Cotton	150g	(5oz)
	Other	100g	(3oz)
Dress	Cotton	500g	(1lb 2oz)
	Other	350g	(12oz)
Jeans		700g	(1lb 6oz)
10 nappies		1000g	(2lb 3oz)
Shirt	Cotton	300g	(10oz)
	Other	200g	(7oz)
T-Shirt		125g	(4oz)


Household Items			
Duvet cover (Double)	Cotton	1500g	(3lb 5oz)
	Other	1000g	(2lb 3oz)
Large Tablecloth		700g	(1lb 6oz)
Small Tablecloth		250g	(9oz)
Tea Towel		100g	(3oz)
Bath Towel		700g	(1lb 6oz)
Hand Towel		350g	(12oz)
Double Sheet		500g	(1lb 2oz)
Single Sheet		350g	(12oz)


At the end of a drying cycle, cottons could still be damp if you grouped cottons and synthetics together. If this happens simply give them an additional short period of drying.


- **Note:** The last 10 minutes of any time set is the Cool Tumble, so allow for this when setting the time, as this period will not dry your laundry.

Wash Care Labels

Look at the labels on your garments, especially when tumble drying for the first time. The following symbols are the most common:


 May be tumble dried

 Do **not** tumble dry

 Tumble dry at high heat setting

 Tumble dry at low heat setting

Items not suitable for tumble drying

- Articles that containing rubber or rubber-like materials or plastic film (pillows, cushions, or PVC rainwear), any other flammable articles or objects that contain flammable substances (towels soiled with hair spray).
- Glass fibres (certain types of draperies)
- Items which have been dry cleaned
- Items with the ITCL Code  (*see Special clothing items*). These can be cleaned with special at-home dry cleaning products. Follow instructions carefully.
- Large bulky items (quilts, sleeping bags, pillows, cushions, large bedspreads etc). These expand when drying and would prevent airflow through the dryer.

Special clothing items









Blankets and Bedspreads: acrylic items (Acilan, Courtelle, Orion, Dralon) **must be dried** with special care on LOW heat setting. Avoid drying for a long period of time.

Pleated or creased garments: read the manufacturer's drying instructions on the garment.

Starched articles: do not dry these with non-starched items. Make sure that as much of the starch solution is removed from the load as possible before placing it in the dryer. Do not over-dry: the starch will become powdery and leave your clothing limp, which defeats the purpose of starch.

Drying times

The table below presents APPROXIMATE drying times in minutes. Weights refer to dry garments:

Cottons  					
High (full) Heat 					
Drying times 800-1000rpm in washing machine					
		Half Load			Full Load
1kg	2kg	3kg	4kg	5kg	6kg
20-30	35-45	45-60	60-70	70-80	80-100
Synthetics 					
High (full) Heat 					
Drying times on reduced spin in washing machine					
	Half Load				Full Load
1kg	2kg				3kg
20-30	35-45				45-60
Acrylics  / 					
Low (gentle) Heat 					
Drying times on reduced spin in washing machine					
Half Load				Full Load	
1kg				2kg	
25-40				40-60	

Times are approximate and can vary depending upon:

- Amount of water retained in clothes after spin cycle: towels and delicates retain a lot of water.
- Fabrics: items that are the same type of fabric but different textures and thicknesses may not have the same drying time.
- Quantity of laundry: single items or small loads may take longer to dry.
- Dryness: If you are going to iron some of your clothes, they can be taken out while still a bit damp. Others can be left longer if you need them to be completely dry.
- Heat setting.
- Room temperature: if the room where the dryer is located is cold, it will take longer for the dryer to dry your clothes.
- Bulk: some bulky items can be tumble dried with care. We suggest that you remove these items several times, shake them out, and return them to the dryer until finished.

! Do not over-dry your clothes.

All fabrics contain a little natural moisture, which keeps them soft and fluffy.

Warnings and Suggestions

GB

! The appliance has been designed and built according to international safety standards. These warnings are given for safety reasons and must be read carefully.

General safety

- This tumble dryer is not intended for use by persons (including children) with reduced physical, sensory or mental capabilities, or lack of experience and knowledge, unless they have been given supervision or instruction concerning use of the appliance by a person responsible for their safety.
- This tumble dryer has been designed for home, and not professional use.
- Do not touch the appliance while barefoot or with wet hands or feet.
- Unplug the machine by pulling on the plug, not the cord.
- Children must not be in proximity of the dryer when in use. After using the dryer, turn it off and unplug it. Keep the door closed to make sure that children do not use it as a toy.
- Children should be supervised to ensure that they do not play with the dryer.
- The appliance must be installed correctly and have proper ventilation. The air intake vents behind the machine, the outlet vents and the vent tube should never be obstructed (*see Installation*).
- Never direct the vent tube outlet towards the air intake at the back of the machine.
- Never allow the tumble dryer to recycle exhaust air.
- Never use the dryer on carpeting where the pile height would prevent air from entering the dryer from the base.
- Check to see if the dryer is empty before loading it.
-  The back of the dryer could become very hot. Never touch it while in use.
- Do not use the dryer unless the filter is securely in place (*see Maintenance*).
- Do not overload the dryer (*see Laundry* for maximum loads).
- Do not load items that are dripping wet.
- Carefully check all instructions on clothing labels (*see Laundry*).
- Do not tumble dry large, very bulky items.
- Do not tumble dry acrylic fibres at high temperatures.
- Complete each programme with its Cool Tumble Phase.
- Do not turn off the dryer when there are still warm items inside.
- Clean the filter after each use (*see Maintenance*).
- Do not allow lint to collect around the dryer.
- Never climb on top of the dryer. It could result in damage.
- Always follow electrical standards and requirements (*see Installation*).
- Always buy original spare parts and accessories (*see Service*).

To minimise the risk of fire in your tumble dryer, the following should be observed:

- Tumble dry items only if they have been washed with detergent and water, rinsed and been through the spin cycle. It is a fire hazard to dry items that HAVE NOT been washed with water.
- Do not dry garments that have been treated with chemical products.

- Do not tumble dry items that have been spotted or soaked with vegetable or cooking oil, this constitutes a fire hazard. Oil-affected items can ignite spontaneously, especially when exposed to heat sources such as a tumble dryer. The items become warm, causing an oxidation reaction with the oil. Oxidation creates heat. If the heat cannot escape, then items become hot enough to catch fire. Piling, stacking or storing oil-affected items can prevent heat from escaping and so create a fire hazard. If it is unavoidable that fabrics that contain vegetable or cooking oil have been contaminated by hair care products be placed in a tumble dryer, they should first be washed with extra detergent - this will reduce, but not eliminate the hazard. The cool tumble phase should be used to reduce the temperatures of the items. They should not be removed from the dryer or piled or stacked while hot.
- Do not tumble dry items that have previously been cleaned or washed in, soaked in or spotted with petrol/gasoline, dry cleaning solvents or other flammable or explosive substances. Highly flammable substances commonly used in domestic environments included cooking oil, acetone, denatured alcohol, kerosene, spot removers (some brands), turpentine, waxes and wax removers. Ensure these items have been washed in hot water with an extra amount of detergent before being dried in the tumble dryer.
- Do not tumble dry items containing foam rubber (also known as latex foam) or similarly textured rubber like materials. Foam rubber materials can, when heated produce fire by spontaneous combustion.
- Fabric softener or similar products should not be used in a tumble dryer to eliminate the effects of static electricity unless the practice is specifically recommended by the manufacturer of the fabric softener or product.
- Do not tumble dry undergarments that contain metal reinforcements. Damage to the tumble dryer can result if the metal reinforcements come loose during drying.
- Do not tumble dry rubber, plastic articles such as shower caps or babies' waterproof covers, polythene or paper.
- Do not tumble dry rubber-backed articles, clothes fitted with foam rubber pads, pillows, galoshes and rubber-coated tennis shoes.
- Remove all objects from pockets, especially lighters (risk of explosion).

! WARNING: Never stop the dryer before the end of the drying cycle unless all items are quickly removed and spread out so that the heat is dissipated.

Disposal

- Disposing of the packaging material: follow local regulations, so the packaging can be recycled.
- Disposal of your old dryer: cut the power cord and remove the door before disposing of an old dryer.

Saving energy and respecting the environment

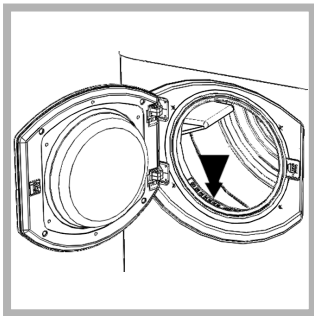
- Wring out items to eliminate excess water before tumble drying (if you use a washing machine first, select a high spin cycle). Doing this will save time and energy during drying.
- Always dry full loads - you save energy: single items or small loads take longer to dry.
- Clean the filter after each use to contain energy consumption costs (*see Maintenance*).

Switching off the electricity

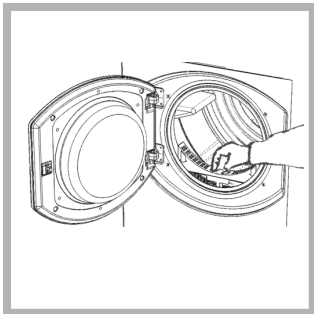
Unplug your dryer when not using it, when cleaning it and during all maintenance operations.

Clean the filter after each cycle

The filter is an important part of your dryer: it accumulates lint and fluff that is formed while drying. Small items could also become trapped in the filter. When finished drying, therefore, clean the filter by rinsing it under running water or with your vacuum cleaner. Should the filter become clogged up, the airflow inside the dryer will be seriously compromised: drying times lengthen and you will consume more energy. It may also damage your dryer.



The filter is found in front of the dryer trim (*see diagram*).



Removing the filter:
1. Pull the plastic grip of the filter upwards (*see diagram*).

2. Clean the filter and replace it correctly. Ensure the filter is fully located flush into the tumble dryer trim.

! Do not use the dryer without replacing the filter..

Check the drum after each cycle

Turn the drum manually in order to remove small items (handkerchiefs) that could have been left behind.

Cleaning the drum

! Do not use abrasives, steel wool or stainless steel cleaning agents to clean the drum.

A coloured film may start to appear on the stainless steel drum, this may be caused by a combination of water and, or cleaning agents such as fabric conditioner from the wash. This coloured film will not affect the dryer performance.

Cleaning

- External parts in metal or plastic and rubber parts can be cleaned with a damp cloth.
- Periodically check the vent tube and any permanent venting fixture to make sure that there has been no accumulation of fluff or lint, and remove it.
- Remove lint that collects around the filter and the outlet vents.

! Do not use solvents or abrasives.

! Your dryer uses special bearing components which do not need lubrication.

! Have your dryer checked regularly by authorised technicians to ensure electrical and mechanical safety (*see Service*).

Troubleshooting

GB

One day your dryer seems not to be working. Before you call your Service Centre (*see Service*), go through the following troubleshooting suggestions:

Problem:

Possible causes / Solution:

The tumble dryer won't start.

- The plug is not plugged into the socket, or not making contact.
- There has been a power failure.
- The fuse has blown. Try to plug another appliance into the socket.
- You are using an extension cord? Try to plug the dryer's power cord directly into the socket.
- The door is not closed securely?
- The PROGRAMMES knob has not been set properly (*see Start and Programmes*).
- The START button has not been pressed (*see Start and Programmes*).

Drying cycle will not begin.

- You have set a delayed time (*see Start and Programmes*).

Its taking a long time to dry.

- The filter has not been cleaned (*see Maintenance*).
- The temperature setting is not ideal for the type of fabric you are drying (*see Start and Programmes*).
- Auto Programmes require a HIGH temperature setting (*see Start and Programmes*).
- The correct programme has not been selected for the load (*see Start and Programmes*).
- The flexible vent tube is obstructed (*see Installation*).
- The air intake vent is obstructed (*see Installation*).
- The permanent ventilation flap on the storm cover is obstructed (*see Installation*).
- The items were too wet (*see Laundry*).
- The dryer was overloaded (*see Laundry*).

Before calling the Service Centre:

- Use the troubleshooting guide to see if you can solve the problem yourself (*see Troubleshooting*).
- If not, turn off the dryer and call the Service Centre closest to you.

What to tell the Service Centre:

- name, address and post code.
- telephone number.
- the type of problem.
- the date of purchase.
- the appliance model (Mod.).
- the serial number (S/N).

This information can be found on the data label inside the door of the machine.

Spare Parts

This dryer is a complex machine. Repairing it yourself or having a non-authorised person try to repair it could cause harm to one or more persons, could damage the machine and could invalidate the spare parts warranty.

Call an authorised technician if you experience problems while using the machine.

The spare parts have been designed exclusively for this appliance and not for other uses.

Contact Information

ARISTON PRIORITY SERVICE

If you are not completely satisfied with your appliance or require service call:

Australia

Phone: 1300 815 589

New Zealand

Phone: (09) 306 1020

AUSTRALIA ARISIT PTY LIMITED

40-44 Mark Antony Drive, Dandenong South,
VIC 3175, Australia

Fax: Service & Sales (03) 9768 0838

Email: consumer.care@arisit.com

GENUINE ACCESSORIES & SPARE PARTS

A wide range of genuine accessories are available for your appliance call:

Australia

Phone: 03 9768 0888

New Zealand

Phone: (09) 306 1020

NEW ZEALAND ARISIT PTY LIMITED

PO Box 68-140 Newton, Auckland
1145, New Zealand

Fax: (09) 302 0077

Email: sales@aristonappliances.co.nz



This appliance conforms to the following EC Directives:

- 2006/95/EC (Low Voltage Equipment)

- 89/336/EEC, 92/31/EEC and 93/68/EEC (Electromagnetic Compatibility)



195066468.02

06/2008 - SIMLEX . Four Ashes, Wolverhampton
