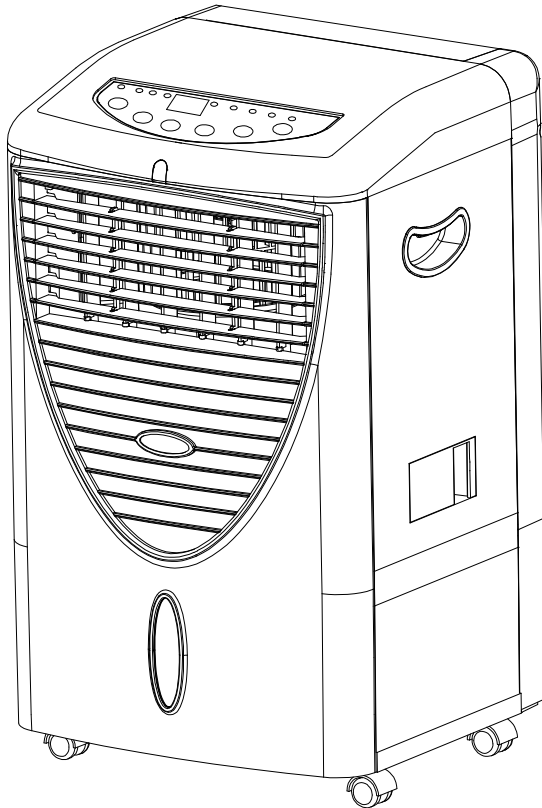


Dimplex

20L AIR COOLER

MODEL: GDC-EC20RW / GDC-EC20RS



INSTRUCTION MANUAL

**PLEASE READ CAREFULLY AND FOLLOW THE
INSTRUCTION BEFORE USE**

CONTENTS

A. PRODUCT INTRODUCTION -----	1
B. TECHNICAL PARAMETER -----	1
C. CONTROL PANEL, LCD & CONSTRUCTION DIAGRAM -----	2
D. SELECTION OF FUNCTIONS -----	3
E. CLEAN AND MAINTENANCE -----	4
F. SAFETY PRECAUTIONS -----	5
G. PACKING LIST -----	6
H. WARRANTY -----	7

A. PRODUCT INTRODUCTION

The GDC-EC20RW / GDC-EC20RS Air cooler are our latest design with microcomputer control system. It can lower outlet temperature, freshen the air with equipped anion, humidify the air through the principle of water evaporation and melting ice. LED panel makes it luxurious and easy to use. Also equipped with filter net and honeycomb pad to remove odor and dust. This unit will provide you a comfortable and healthy environment.

BRIEF INTRODUCTION OF FEATURES

1. High-grade computer-control system with LED panel.
2. Remote control and touch.
3. Functions include: cool fan, humidifier, air filtration, and ionizer.
4. Filter and honeycomb pad to remove harmful tiny substances, such as dust and pollen.
5. Humidify air in dry season.
6. Energy-saving and effective, input power of cooler is 150W.
7. 3 fan speeds: High – Medium – Low.
8. Large water tank capacity and large air volume.
9. Equipped with ionizer to fresh the air, tiny substances, such as dust and pollen.

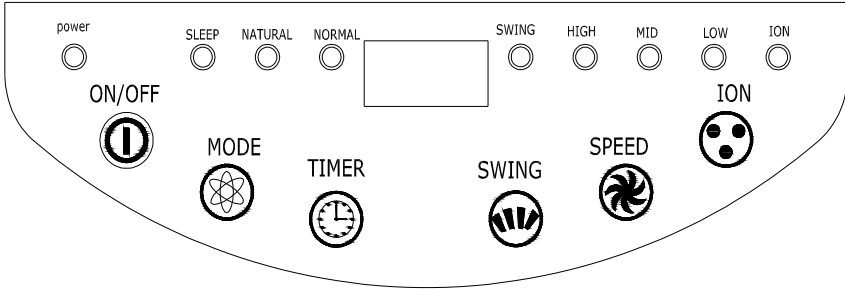
B. TECHNICAL PARAMETER

Main technical parameter	
Rating voltage/ Frequency	220-240V~ 50Hz
Input power	150W
Water consumption	0.5-0.6L/h
Max air volume	1200m ³ /Hr
Net weight	12Kg
Dimension	410×390×700

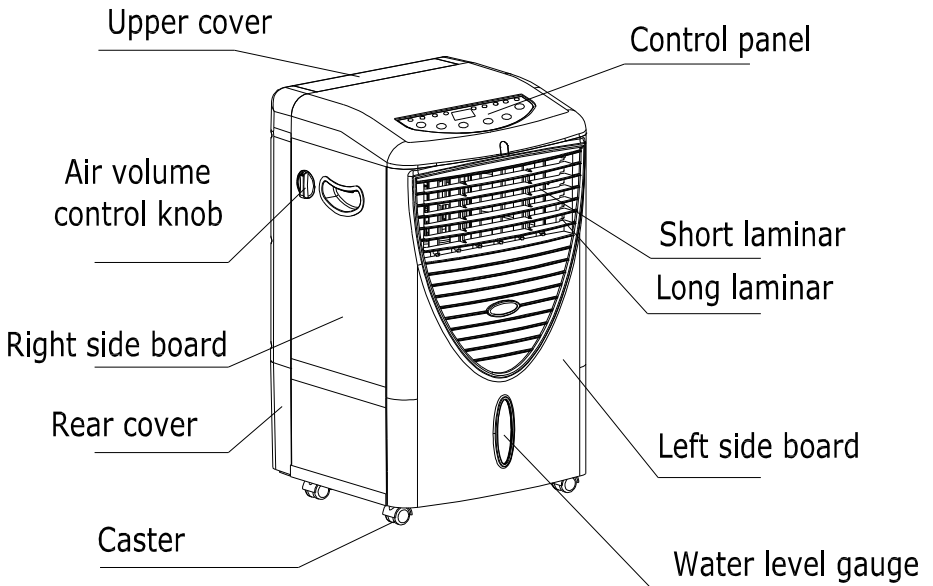
C. CONTROL PANEL, LED & CONSTRUCTION DIAGRAM

(Some with remote)

1. CONTROL PANEL AND LED:



2. CONSTRUCTION:



D. SELECTION OF FUNCTIONS:

1. ON/OFF: Turns unit ON or OFF

Press once to turn the unit on. Indicator lights will illuminate. Unit operates in default mid fan speed. Press the button again, unit will be turned off.

2. SWING: Horizontal swing of vertical louvers.

- Press once to engage auto swing of louvers. SWING indicator light will illuminate.
- Press again for fixed air direction.
- To direct vertical airflow, adjust the horizontal louvers manually.

3. Speed: Selects fan speed.

Press to select desired fan speed: High – Medium – Low, in turn. The relevant air speed indicator lamp will be on.

4. Mode: Press the button once, Unit will operate under irregular status according to the pre-setted program. Wind speed can be chosen from “High-Mid-Low”.

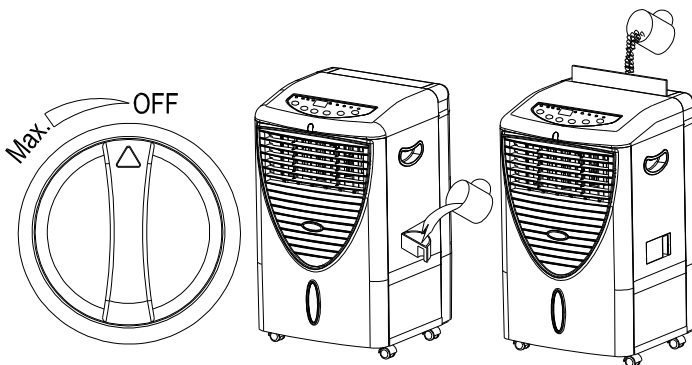
5. Cool: If you want to use the “Cool” function, you can adjust the water volume by switching the knob on the left side of the unit. Please turn the unit to the “OFF” position when the “Cool” function is not in use.

6. Timer: Press the button, time is added 10 Minutes till 990 minutes.

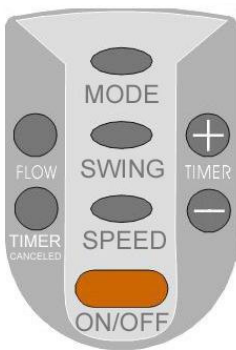
7. Ion: During operation, press once, the indicator lamp is on this Air Cooler will release a great number of negative ions into the air. Negative ions can fresh the air. Press again, the indicator lamp is off, this function will be stopped.

8. Filter: The Air Cooler can filter out the harmful tiny substances such as dust, smoke etc. from the air output. Filtered clean Air will bring you to a feeling in neighborhood to a forest or a sea.

9. Cooling & Humidifier: Before using this function, you should add some water into water tank (Open the side box of the unit to put water into the unit, see pig). You can adjust the water volume by the side knob of the unit.



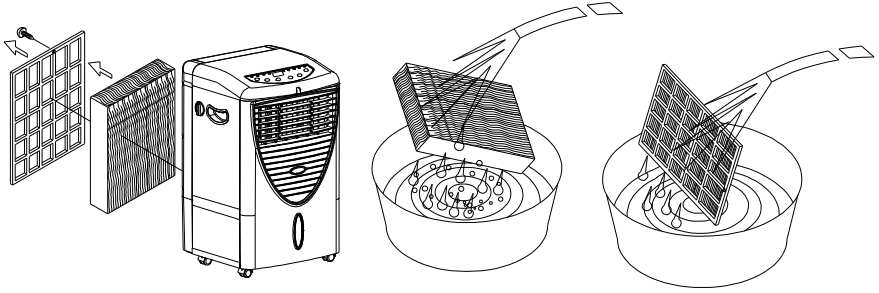
10. Remote control: The function of remote control is the same as the unit control panel except the timer deduction function. No obstacle is allowed between the unit and remote control.



E. CLEAN AND MAINTENANCE

After long time operation, the Filter and Honey Comb will be clogged with dust and dirt, which will greatly affect the unit's performance. Sometimes mold and mildew may also occur, due to lack of water changes. It is recommended to clean the filter and Honey Comb once every two weeks. The clean procedure is as below:

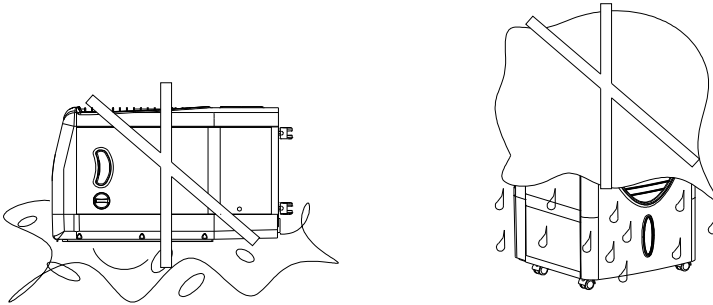
1. Disconnect the power supply. Unplug the unit.
2. Remove the screw of the rear cover and then take the filter and Honey Comb out for cleaning.
3. Wash the filter in a mild detergent and warm water solution, then rinse in clean water.
4. Wash the Honey Comb in clean water. A soft brush can be used for cleaning.



5. Put the filter and Honey Comb to the original position and screw it to fix the position.

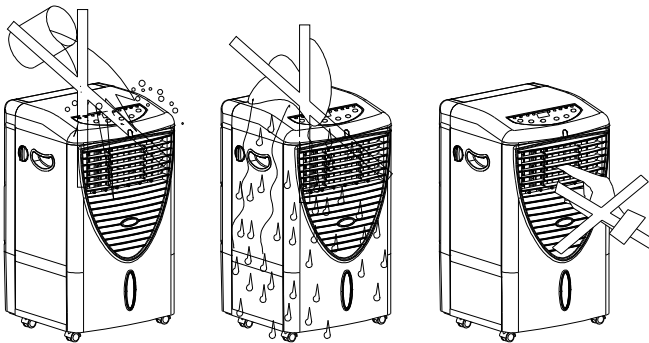
F. SAFETY PRECAUTIONS:

1. Use the correct power supply (220-240V~ 50/60Hz). Plug into dedicated socket with minimum rating current of 5A.
2. After filling with water, do not tilt unit and avoid moving unit. Do not turn over the unit, otherwise accident may happen.



3. Do not place any heavy objects on top of the Air Cooler. The air outlet must not be obstructed. Do not place any objects behind the unit in order to avoid blocking the air circulation.
4. Suitable ambient temperature range is 5°C-40°C. The body of this Air Cooler should not be placed in area with extremely high or low temperature. When ambient temperature is high, change water frequently to prevent mildew and mold growth. If using unit as a humidifier during cold weather (below 0°C), be sure to empty and dry the surface of the unit after use to prevent water freezing.
5. Avoid exposing unit to water or spraying water onto the control panel or LED. Do not use any corrosive cleaner or solvent.

6. Empty the water tank before moving the Air Cooler.
7. Before storage, please dry the water tank inside the unit and then take out and dry the filter and honeycomb pad in order to avoid stink caused by dampness.
8. Unplug power source when not in use. Do not use the COOL function if unit is used in a damp and closed space.
9. Do not place fingers or insert foreign objects into the louver during operation.
10. Do not operate unit with a damage power cord or plug. When the power cord is damaged, it must be replaced or repaired by qualified person.
11. This appliance is not intended for use by persons (including children) with reduced physical, sensory or mental capabilities, or lack of experience and knowledge, unless they have been given supervision or instruction concerning use of the appliance by a person responsible for their safety.
12. Children should be supervised to ensure that they do not play with the appliance.
13. When operating in COOL mode, pay attention to water level and add water when water level is less than 1/3 full. Do not operate COOL mode on an empty tank, as this may cause water pump to malfunction.



G. PACKING LIST

No.	NAME	QUANTITY
1	Air Cooler	1
2	Remote Controller	1
3	Instructions Manual	1



GLEN DIMPLEX
AUSTRALIA PTY LTD

24 Months Replacement / Repair Guarantee

Glen Dimplex Pty Ltd guarantees this product against defects caused by faulty workmanship and materials for 24 months domestic use (12 months commercial use) from the date of purchase. During the guarantee period, GDA will repair or replace any defective product. However, if the product includes a number of accessories, only the defective product or accessory will be replaced.

GDA reserves the right to make minor repairs instead of replacing the product or accessory.

In the event of a product or accessory being replaced during the guarantee period, the guarantee on the replacement will expire 24 months from the original purchase date. This guarantee excludes defects caused by the product not being used in accordance with instructions, accidental damage, misuse or being tampered with by unauthorized persons.

If a failure or fault occurs to the appliance or accessory, please contact our Customer Care line on 1300 556 816 to report the fault and gain assistance.

Please retain your receipt as proof of purchase.

Every request for guarantee service must be accompanied by proof of purchase.

For any information on your Glen Dimplex product please call our Customer Care line on 1300 556 816.

Be sure to attach your proof of purchase to this card and present with the appliance if replacement is required.

Product. _____

Model. _____ Date of Purchase. _____

Purchase from (name and address of retailer)

Please complete the above for your own records

Glen Dimplex Australia Pty Ltd

2/205 Abbots Road
Dandenong South VIC 3175

Ph: 1300 556 816

Fax: 1800 058 900