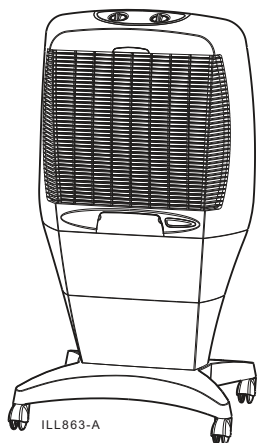


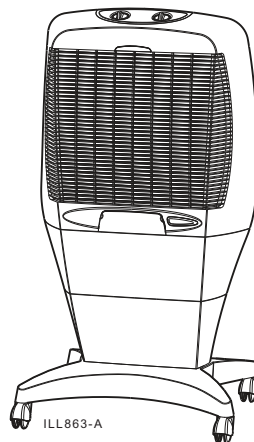
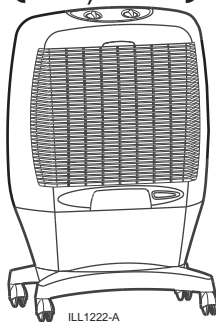
OWNER'S MANUAL

Portable Evaporative Cooler



MEGACOOL (MIV, MIVH)

**MASTERCool
(MIC, MICH)**

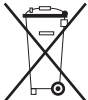


MILLENIA (MI, MIH)

(English) (MI MIH MIC MICH MIV MIVH)

CONTENTS

SAFETY	1
General Safety	
Electrical Safety	
COMPONENT LOCATION	2
ASSEMBLY	3-4
Caution - Check Voltage	
To assemble the cooler	
DIRECTIONS FOR USE	4-6
How to get the best cooling performance	
Filling with water	
Using the cooler -	★ Low fan speed
	★ High fan speed
	★ Fan only (vent)
Conditioning of Aspen cooling pads	
Air direction control	
Safety instructions	
Cleaning the cooler/rear panel removal	
MAINTENANCE	6-7
To drain water	
Water strainer and Aspen cooling pad	
Pump belt replacement / Drain Plug	
TROUBLESHOOTING	8
SPARE PARTS LIST & EXPLODED VIEW	9-10
WARRANTY	11



Waste electrical products must not be disposed of with household waste. This product should be taken to your local recycling centre for safe treatment.

SAFETY

Portable evaporative air cooler - important safety instructions

Please read these instructions before assembling the cooler and keep for future reference.

This appliance is not intended for use by persons (including children) with reduced physical, sensory or mental capabilities, or lack of experience and knowledge, unless they have been given supervision or instruction concerning use of the appliance by a person responsible for their safety.

Children should be supervised to ensure that they do not play with the appliance.

General Safety

For indoor use only.

Use only in the upright position on a flat level surface and at least 50cm from any objects.

Clean the air inlets and outlets at regular intervals to prevent airflow reduction (refer Maintenance section).

Do not place objects on the air cooler, or through the ventilating slots or restrict the air inlets & outlets.

Closely supervise any children and pets when the air cooler is in use.

Do not store or operate the appliance near any flammable substances.

During operation, water is present in the bottom tank of the air cooler. Be careful when moving the unit to prevent water from spilling.

Always switch your cooler off and unplug it before cleaning or maintenance.

Electrical Safety

Caution! before connecting the electrical power cord to a power outlet, check that the air cooler voltage is the same as your power supply (refer to the rating label located on the rear of the unit).

Do not pull the unit along by the power cord or place the power cord near a source of heat. Always unroll the power cord completely before use.

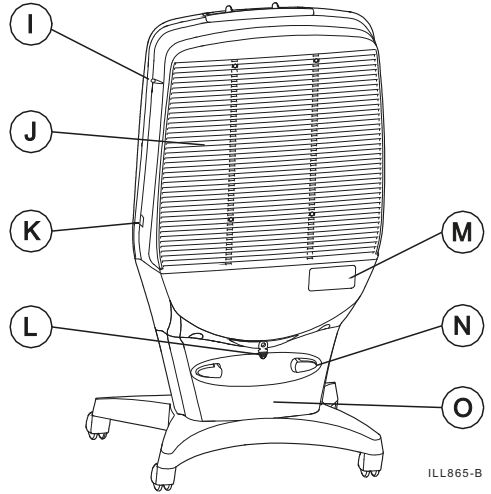
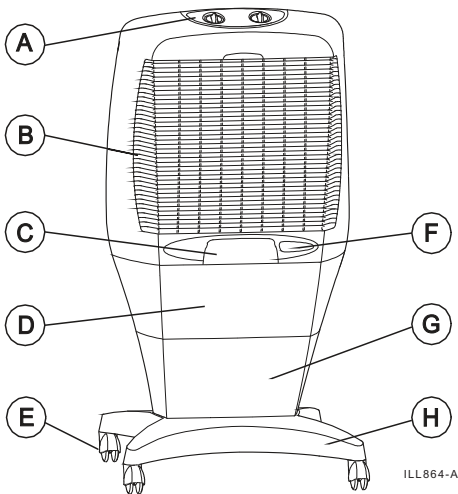
If the power supply cord is damaged it must be replaced by the manufacturer, a service agent or similarly qualified persons in order to avoid a hazard.

Switch off and unplug when not in use.

COMPONENT LOCATION

KEY

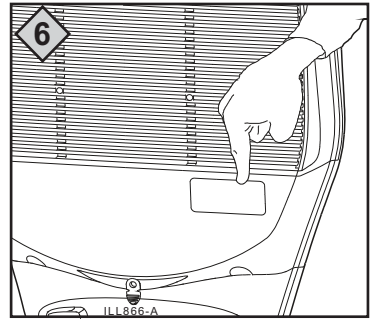
- A Controls
- B Front grille
- C Water filling door
- D Water reservoir
- E Castors
- F Water level indicator
- G Front pillar (Millenia, Megacool)
- H Base
- I Rear panel retaining screws (2)
- J Rear panel
- K Power cord entry point
- L Reservoir drain plug
- M Rating label
- N Cord storage hooks
- O Rear pillar (Millenia, Megacool)



ASSEMBLY

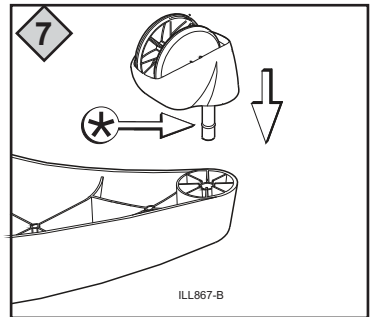
CAUTION! - Check Voltage

Before connecting your electrical power cord to a power outlet, check that the cooler voltage is the same as your power supply. The cooler voltage will be stated on the rating label at the rear of the cooler (Fig 6).



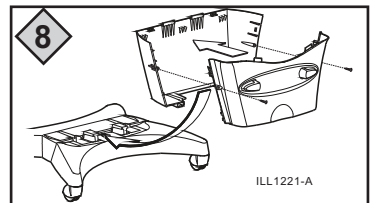
To assemble the cooler

Push the four castors into their locating holes in the base. Use a rotating motion to assist in the entry of the steel spring ring (“*” Fig 7).



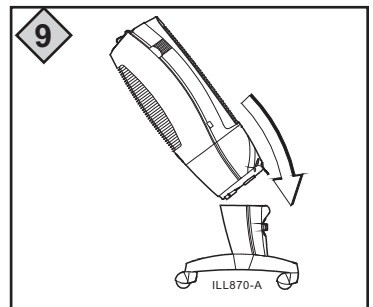
Models Millenia and Megacool only

Assemble the front and rear pillars and screw together. Place this assembly on the base and slide into position until it locks (Fig 8).



Models Millenia and Megacool only

Place the reservoir of the cooler onto the front pillar as shown (Fig 9). Tilt downwards towards the rear until the reservoir locks onto the rear pillar.



To remove the unit from the pillars, use a screwdriver in the two recesses in the rear of the reservoir to release the clips. Tilt the unit forward to remove.

ASSEMBLY cont.

Model Mastercool only

Place the reservoir onto the base and press down to engage the four clips in the base (Fig 10).

To remove the cooler from the base, tip it upside down and release the clips in the base. A screwdriver may be necessary.

How to get the best cooling performance

Place the cooler with its back near to an open window or door so it can draw in 100% fresh air.

Open another window or door on the opposite side of the room for “flow through” ventilation. This cooler will not cool properly in a closed room (Fig 11).

DIRECTIONS FOR USE

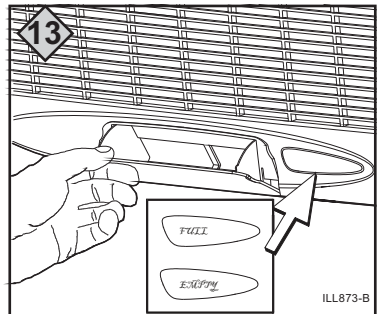
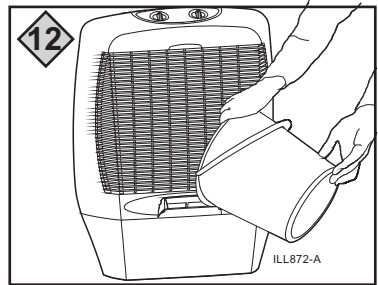
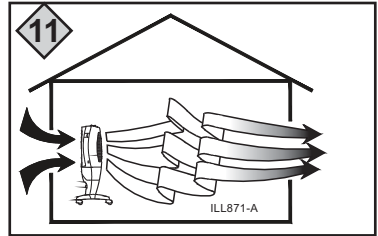
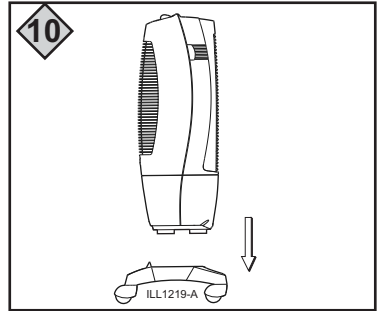
Filling with water

Turn the cooler off before filling. Open the water filling door and pour in clean water (Fig 12).

The water capacity is 14 litres. The minimum amount of water needed for the pump to operate is 2 litres.

The cooler is full when the water level indicator is in the “FULL” position (Fig 13). **Do not overfill, as water will spill out of the cooler!**

Note! The cooler and pump will not be



DIRECTIONS FOR USE cont.

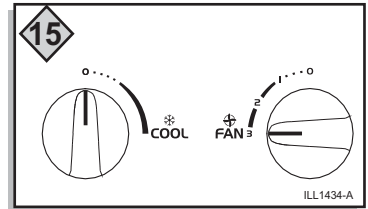
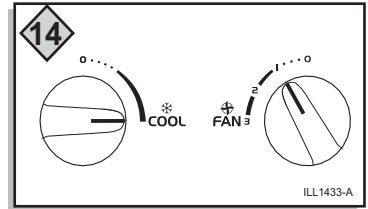
Using the cooler

When this appliance is used as an air cooler, it should be filled with water and the cool knob turned to the “COOL” position (Fig 14).

Low fan speed (1) is selected for quietest operation (Fig 14).

High fan speed (3) is for maximum cooling (Fig 15).

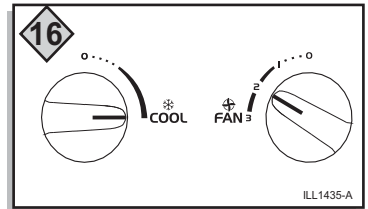
Fan only (ventilation). This cooler may be used as a fan only. Set the cool knob to position “0” (Fig 15).



Conditioning of the aspen cooling pad

To get the best performance from your cooler, we recommend that when first used it is run with water for at least 10 minutes at the setting in Fig 16.

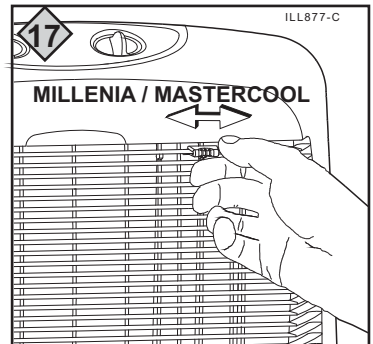
During this process the water becomes slightly yellow, and there is a natural smell of damp wood. This is normal.



Air direction control - Millenia / Mastercool

The cooler is provided with air guide vanes which can be adjusted as required to direct the air flow.

Models Millenia and Mastercool are adjusted manually by sliding the levers on the front panel (Fig 17).

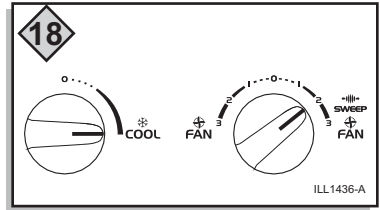


DIRECTIONS FOR USE cont.

Air direction control Megacool

Model Megacool has motor driven vanes that are switched on and off by the fan control switch on the control panel (Fig 18). Set the control to the “sweep / fan” speed setting to operate the sweep vanes (shown). Set to “fan” speed settings for fixed direction.

There are no manual adjustment levers.



Safety instruction

As this cooler contains water, ensure it is moved carefully and is not tilted, as water may spill (Fig 19).

MAINTENANCE

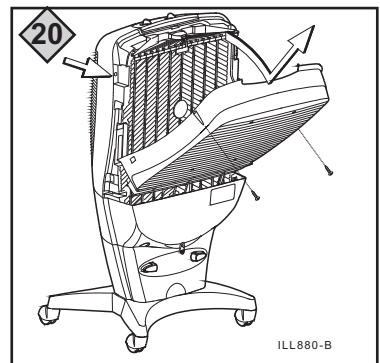
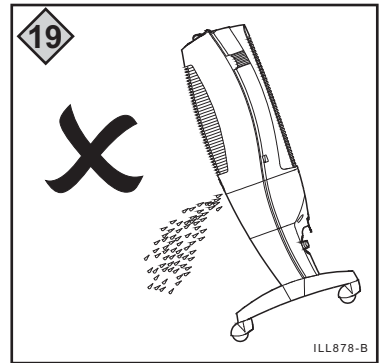
Cleaning the cooler

Important! Always switch off and remove the electrical plug before cleaning and servicing the cooler.

To clean, wipe the cooler with a damp cloth and a little household detergent.

The rear panel can be removed to gain access to inside the cooler by removing the screws at the top of each side.

Pivot the panel backwards and lift off (Fig 20).



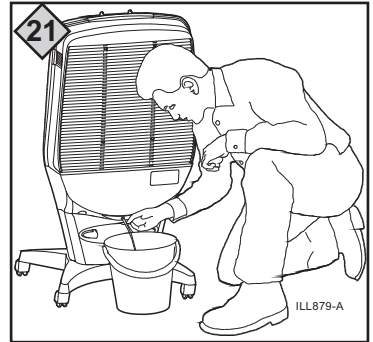
MAINTENANCE cont.

End of Season

At least once a year at the end of summer it is advisable to do some simple maintenance on your cooler to maintain its high efficiency. This involves cleaning the water system and the Aspen cooling pad.

To drain water

Drain the water from the cooler by moving the cooler to a drain and removing the drain plug located on the bottom of the tank. When the cooler is empty replace the plug in the tank (Fig 21).



Water strainer and aspen cooling pad

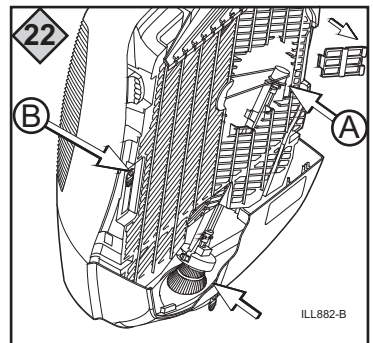
Clean the water strainer by removing any foreign matter. Wash the Aspen cooling pad with water while it is still in the rear panel. Replace the pad if it is worn or deteriorated.

Pump belt replacement

If a pump drive belt needs replacing, access can be gained by using a tool (screwdriver) to remove the small access door (Fig 22 - "A").

Spare drain plug

Each cooler is supplied with a spare drain plug, located in the position shown (Fig 22 - "B").



TROUBLESHOOTING

<u>CONDITION</u>	<u>POSSIBLE CAUSE</u>	<u>REMEDY</u>
1. Cooler will not operate at first.	1.1 Power outlet or supply faulty.	1.1.1 Switch on power outlet. 1.1.2 Check power supply. 1.1.3 Check power outlet.
	1.2 Wrong voltage.	1.2.1 Check that power supply is the same as specified on the rating label.
2. Cooler stops operating after running for some time and does not restart.	2.1 Motor in safety shutdown.	2.1.1 Motor must be replaced by Authorised Service Agent.
	3.1 Cooling control is off.	3.1.1 Turn cool knob to 'COOL'.
3. No cooling.	3.2 Reservoir is empty or nearly empty.	3.2.1 Fill with water again until water level indicator is at the 'FULL' position. Water capacity is 14 litres
	3.3 Weather is too humid.	3.3.1 Turn cool knob to '0' and use cooler as a fan only.
	3.4 Aspen cooling pad and / or pump inlet screen blocked or dirty.	3.4.1 Clean parts - see maintenance page 6.
	3.5 Pump is not working	3.5.1 The pump is NOT a separate electric pump. It is connected to the fan motor and is driven mechanically. Turn the cooler off and completely drain the reservoir. Refill with water. Switch fan knob to high speed (3), turn the cool knob to 'COOL', run the cooler for 10-15 minutes non-stop. This will help dissolve and flush out the dirt. The Aspen cooling pad should now be wet. If the pad is not visibly wet and there is no cooling, have the cooler checked by a service agent.
	3.6 Fan/pump not running fast enough on low speed.	3.6.1 Check that supply voltage is up to correct level. 3.6.2 Fan and pump will pick up speed slightly as the motor reaches normal operating temperature. Allow the cooler to run for 30-60 minutes and check again. If there is no improvement have the cooler checked by a service agent.
4. Cooler makes bad smell.	3.7 Pump drive belt faulty or broken.	
	4.1 Reservoir or Aspen cooling pad dirty.	4.1.1 Drain reservoir and fill the cooler with clean water. If it still smells clean the reservoir and replace the Aspen cooling pad or proceed to 4.2.1.
4. Cooler makes bad smell.	4.2 Water quality is poor.	4.2.1 Add a little vanilla essence or perfume to the water.
	5.1 Dirt has accumulated inside pump.	5.1.1 Proceed as in 3.5.1 5.1.2 Replace drive belt as shown on page 7.
5. Cooler makes scraping or rattling noise on new season start up.	6.1 Too much water in reservoir.	6.1.1 Drain some water out (see page 7).
	6.2 Water level indicator not working.	6.2.1 Remove the rear panel for access. Slide the indicator up to the 'FULL' position then let it drop. If it fails to operate have it checked by a service agent.
6. Water overflows from reservoir.	7.1 Electrical fault.	7.1.1 Electrical parts must only be repaired and replaced by Authorised Service Agents.
7. Cooler will not operate at all.		
8. Damaged power supply cord.		8.1.1 If the power supply cord of this appliance is damaged it must be replaced. Electrical parts must only be repaired and replaced by Authorised Service Agents.

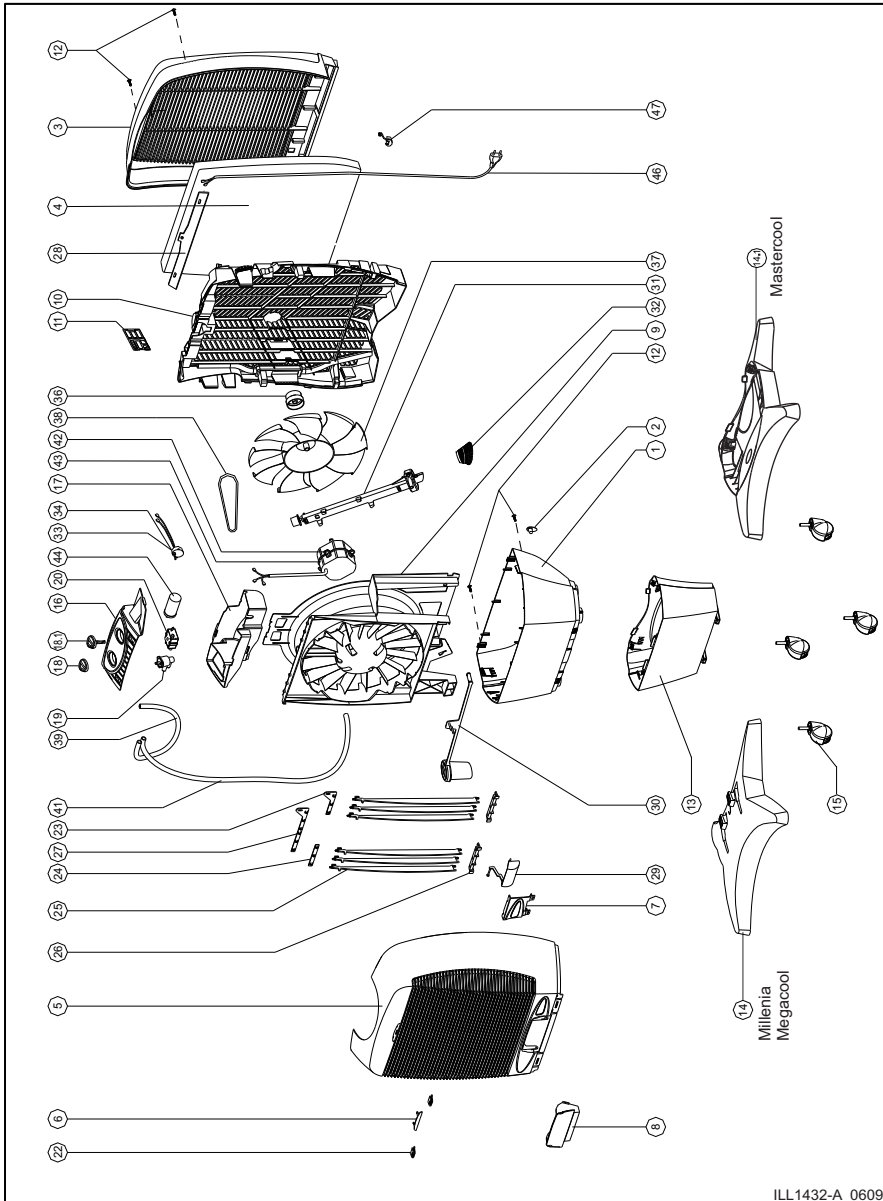
SPARE PARTS LIST

When ordering spare parts, please specify the model / serial number and colour of your cooler.

Item	Description
23	Vane Link RH
24	Vane Link LH
25	Vane
26	Vane Bearing
27	Vane Link Motor
28	Pad Clamp
29	Water Level Indicator
30	Float Assembly
31	Pump Assembly
32	Strainer
33	Vane Motor (Megacool only)
34	Vane Motor Hub (Megacool only)
36	Fan Pulley
37	Fan
38	Drive Belt
39	Spreader Hose Ø9.5 x 450
41	Pump Hose Ø9.5 x 890
42	Motor Rubbers White for Square Motor
42.1	Motor Rubbers Black for Round Motor
43	Electric Motor 230V 50Hz - Square
43.1	Electric Motor 230V 50Hz - Round
44	Capacitor 3.2uF for Motor
46	Plug & Cord Australia
47	Cord Grip - Flat Cord 4K-1

Item	Description
1	Tank (includes drain plug)
2	Drain Plug
3	Rear Panel
4	Filter Pad
5	Front Grille Assembly
6	Badge - Front Grille
7	Window
8	Filler Door
9	Mid Panel Assembly
10	Inner Grille / Spreader Assembly
11	Inner Grille Door
12	Screws
13	Front / Rear Pillar (pair) (Millenia / Megacool)
14	Base (Millenia / Megacool only)
14.1	Base - compact (Mastercool only)
15	Castor & Pintle Assembly
16	Control Panel
17	Control Box
18	Knob Mushroom
18.1	Knob Mushroom & Shaft Assembly
19	Water Valve Assembly
20	Switch (2006 -) Millenia / Mastercool
20.1	Switch (2006 -) Megacool
22	Lever Vane

EXPLODED VIEW



ILL1432-A 0609

As the policy of this company is one of continuous improvement, all specifications are subject to change without notice.

WARRANTY

In this warranty:

We or us means Seeley International Pty Ltd ABN 23 054 687 035, and our contact details are set out at the end of this warranty;

You means you, the original end-user purchaser of the Goods;

Supplier means the authorised distributor or retailer of the Goods that sold you the Goods in Australia; and

Goods means the product, unit, appliance or equipment which was accompanied by this warranty and purchased in Australia.

Our Goods come with guarantees that cannot be excluded under the Australian Consumer Law. You are entitled to a replacement or refund for a major failure and for compensation for any other reasonably foreseeable loss or damage. You are also entitled to have the Goods repaired or replaced if the Goods fail to be of acceptable quality and the failure does not amount to a major failure.

In addition to any rights and remedies that You may have under the Australian Consumer Law or any other law, subject to the terms of this warranty, We provide the following warranty:

1. If, during the first 24 months from the date of first retail purchase (**Warranty Period**), the Goods upon examination prove defective by reason of improper workmanship or material, We will repair at our nearest service centre or replace (at our option), the product or any part thereof without charge. Should we deem in our absolute discretion to replace the Goods, we may substitute any similar good even if it is not on our current price/equipment list. Further, Goods presented for repair may be replaced by refurbished goods of the same type rather than being repaired. Refurbished parts may be used to repair the Goods.
2. We are under no obligation to repair or replace the Goods under clause 1 if the Goods have not been used only for personal, domestic or household purposes or have not been operated and maintained in accordance with the instructions in the Owner's Manual. The addition of any third party device or the removal or the alteration of any of our components will void this warranty. In addition, the warranty granted under clause 1 does not apply to:
 - Consumable components such as filters,
 - Adjustments necessary due to misuse of the cooler,
 - Normal user maintenance,
 - Setting of controls,
 - Transit damage, or
 - Damage caused by user misuse, tampering, or failure to observe the care and special provisions in the instructions.
3. The warranty granted under clause 1 is limited to repair or replacement only. As far as the law permits, We will not be liable for any consequential loss suffered through, or resulting from, the non operation, or ineffective operation of the Goods. The warranty granted under clause 1 does not cover damage to the Goods or other loss resulting from acts of God.

WARRANTY cont.

4. We are not responsible in any way for any failure and/or inadequate performance of the Goods which arises from or is connected to the use in the Goods of non-genuine spare parts. We strongly recommend that only spare parts supplied or approved by us are used in the Goods.
5. No other person, firm or corporation is authorised by us to offer or give on our behalf any other or greater warranty than that given under this warranty. The benefits conferred by this warranty are in favour of You and any person deriving title to the Goods through or under such person and are intended to be separate from and additional to all other rights and remedies that they may have in law in respect of the Goods.
6. In order to claim under the warranty granted under clause 1 you must:
 - (a) either:
 - (i) contact us within the Warranty Period on: **1300 650 644**;
 - or
 - (ii) log a claim on our website www.seeleyinternational.com within the Warranty Period; and
 - (b) return the Goods to your nearest service centre (or to us at the address below) by prepaid freight within the Warranty Period, together with (i) the legible and unmodified proof of purchase, which clearly indicates the name and address of the original retailer, the date and place of purchase, the product name or other product serial number, and (ii) a copy of the completed Warranty Information page below. (If you choose to return the Goods to us, there is an additional requirement - they will also need to be accompanied by a covering letter which states your name and address and daytime telephone number, and the model and serial number of the goods.)
7. This warranty does not cover the cost of claiming under the warranty, it is your responsibility to cover all forwarding and return freight costs incurred in sending the Goods to and from your nearest service centre or us.
8. This warranty is only valid and enforceable in Australia.

Our liability under this warranty is limited to the extent permitted by law. That is, to the extent that it is fair and reasonable, if the Goods are not of a kind ordinarily acquired for personal, domestic or household use or consumption, your remedies associated with any failure or defect of the Product will be limited to:

- (a) the replacement of the Goods or the supply of equivalent goods;
- (b) the repair of the Goods;
- (c) the payment of the cost of replacing the Goods or of acquiring equivalent goods;
- (d) the payment of the cost of having the Goods repaired

WARRANTY cont.

To ensure that service either pursuant to the above warranty or otherwise is readily available, we have established in all States authorised service centres, which are available to deal with service requirements.

For further information about your nearest service centre and other enquiries please call our Service Centre on:

1300 650 644

Please retain your receipt as proof of purchase. Every request for warranty must be accompanied by proof of purchase.

Complete the following for your records:

Serial Number:

Product: *Convair*

Model: *Mastercool MIC, MICH* *Millenia MI, MIH*
 Megacool MIV, MIVH

Purchased from:
.....
.....

Date purchased: /...../.....

Service Department
Seeley International Pty Ltd
112 O'Sullivan Beach Road, Lonsdale, South Australia, 5160
Customer service centre in Australia: 1300 650 644
Website: www.seeleyinternational.com

It is the policy of Seeley International to introduce continual product improvement. Accordingly, specifications are subject to change without notice. Please consult with your dealer to confirm the specifications of the model selected.



Warranty Service

Australia 1-300-650-644
seeleyinternational.com

convair®