

KENWOOD

Steam Mop

Instruction manual

Model SC5000

Fig. 1

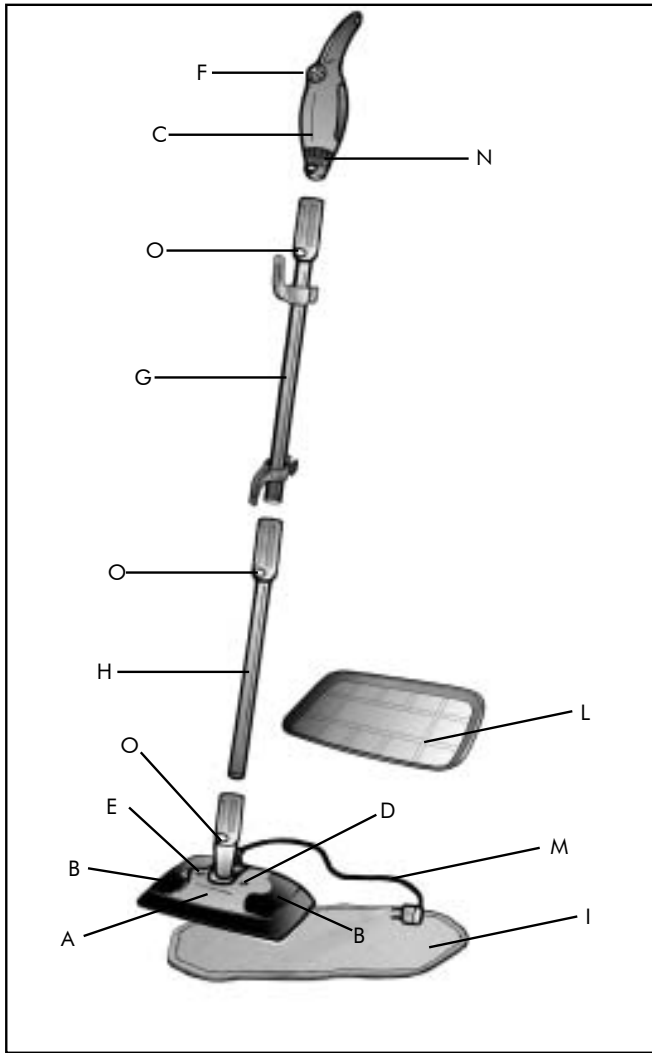


Fig. 3

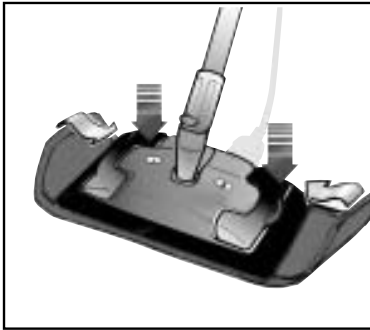


Fig. 5



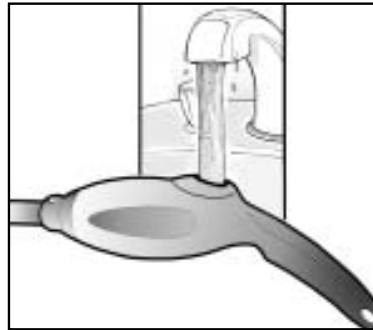
Fig. 6



Fig. 2



Fig. 2



IMPORTANT INFORMATION
PLEASE READ THESE INSTRUCTIONS CAREFULLY

- Before using the appliance read the instructions carefully.
- NEVER ADD DECALCIFICATION, AROMATIC, ALCOHOLIC OR DETERGENT PRODUCTS INTO THE APPLIANCE, AS THIS MAY DAMAGE IT OR MAKE IT UNSAFE FOR USE.
- The appliance is equipped with a thermostat that limits temperature, a thermofuse and a safety cap.
- Before connecting the appliance to the power supply make sure that the voltage shown on its label corresponds to that in the local power supply source.
- Always connect the appliance to an earthed socket.
- Never leave the appliance unattended when still connected to the power supply source.
- Do not turn over the appliance when in operation.
- Do not immerse the appliance in water or other liquids.
- Always unplug the Steam Mop from the power supply socket when filling with water.
- ATTENTION! When the appliance is first filled, small quantities of water may pour out of the tank. This is normal and will no longer occur when the tank is refilled.
- The appliance is not intended for use by young children or infirm persons without supervision.
- Young children should be supervised to ensure that they do not play with the appliance.
- Do not touch its hot surfaces. Avoid directing steam towards people and electrical equipment.
- Do not use the appliance if it appears damaged. All repairs, including changing of the power cable must be carried out exclusively by the KENWOOD Service centre or KENWOOD authorised Service Agents.
- This product has been made for domestic use and not for industrial or commercial.
- Your KENWOOD STEAM MOP is ideal for ceramic, marble, vinyl, stone, linoleum and sealed hardwood floors. Please see special note below on wooden floors. The Mop produces heat and steam similar to a steam iron and can reach temperatures in excess of 95°C. Therefore DO NOT leave in one spot during use or while hot for more than 15 seconds.
- Timber Flooring.
Before using on any Timber surface we recommend that you trial a small inconspicuous area first to check that the steam has not damaged the sealant or protective surface coating. If the decision is made to continue use on the timber floor care must be taken in traffic areas where the protective coating maybe worn down. Steam may penetrate and damage the wood.
Flooring that has been treated with wax, the wax may be removed by the heat and steam action leaving the surface dull.
Do not use on unsealed wood floors or let unit stand on any wood floor for an extended period of time. This could cause the wood grain to rise.
Also check use and care instructions from the floor manufacturer.
- Not recommended for use on CORK or CORK tiles.
- Kenwood will not accept any responsibility for damage caused to flooring if the above warnings has been ignored.

Dear Customer

Thank you for having chosen our product and allow us to congratulate you for having purchased the STEAM MOP 5000, which has been designed in order to change the old methods of manual floor cleaning. This appliance has been designed to obtain ,not only a perfectly clean floor, but also effective sterilisation of surfaces through the degreasing and cleaning power of steam that eliminates bacteria, microbes, mites without the use of chemicals.

Analysis carried out has shown how, in just a few seconds, a jet of concentrated steam from STEAM MOP 5000 is able to destroy over 90% of mites in dust, largely responsible for respiratory allergies. This amounts to preventative action which benefits those persons subject to allergies of this kind. All of this is due to the active power of steam, and without need of detergents or soap, so it's absolutely ECOLOGICAL.

DESCRIPTION OF THE APPLIANCE (Fig. 1)

- A. Appliance body
- B. Attachment clips
- C. Water Tank
- D. Steam ready indicator
- E. Power 'ON' indicator
- F. Water tank plug
- G. Handle extension with cord winder
- H. Lower handle extension
- I. Cloth
- L. Pre-heating pad
- M. Power cord
- N. Adjustable water flow regulator
- O. Extension lock buttons

INSTRUCTIONS FOR USE

Using the appliance is very easy.

Fig. 2 Once the appliance has been unpacked, join together the extensions (G & H) and make sure that the lock button (O) snaps in. Then fit the extension (H) in the appliance's body (A) and make sure that the lock button (O) snaps in.

Fig. 3 Position the appliance body over the centre of the provided Cloth . Secure the ends under the cloth clips (B). Place the Steam Mop on the provided pre-heating pad (L).

Fig. 4 Remove the water tank plug (F) and fill the tank (C) with water. Make sure beforehand that the adjustable water flow regulator (N) is in the closed position, marked O on the housing.

Fig. 2 Connect the water tank (C) to handle extension (G) and make sure that the lock button (O) snaps in. Now insert the plug of the power cord into the power outlet. The appliance starts to heat up as soon as the power is turned on. The power indicator (E) will light up. As soon as the steam ready indicator (D) comes on the Steam Mop is ready to use.

Turn the water flow regulator (N) to "I" for the steam outlet (see fig. 5).

When KENWOOD STEAM MOP 5000 starts to release steam, you can use it by passing it slowly over the surfaces to be cleaned.

When the STEAM MOP 5000 runs out of water you simply place the unit on the heating pad to avoid floor damage, then unplug the appliance and fill tank as described previously. During this operation, do not touch the appliance's hot base (A).

If you need to leave the STEAM MOP unattended momentarily, place on the pre-heating pad, position the handle vertically, it will clip into the upright position.

Before using the appliance again, unwind the power cord completely. Be sure the power cord is completely unwound before you plug it in.

DO NOT LEAVE in one spot for more than 15 seconds as it may cause a whitish halo to form on the surface. This is no call for concern as it may be removed using a normal decalcifying product or with a few drops of vinegar.

DO NOT USE VINEGAR OR OTHER DECALCIFYING SUBSTANCES.

If the steam supply drops noticeably during use, the water flow from the outlet hole at the bottom of the water tank may be blocked or restricted. We recommend to remove the water tank and clean the outlet with a very fine needle (see fig. 6). Take care not to use excessive force during the cleaning operation which could enlarge the hole.

IMPORTANT INFORMATION ON THE PROPER USE OF YOUR KENWOOD STEAM MOP

PLEASE READ

Your KENWOOD STEAM MOP is ideal for ceramic, marble, vinyl, stone, linoleum and sealed hardwood floors. Please see special note below on wooden floors.

The Mop produces heat and steam similar to a steam iron and can reach temperatures in excess of 95°C. Therefore DO NOT leave in one spot during use or while hot for more than 15 seconds.

Timber Flooring.

Before using on any Timber surface we recommend that you trial a small inconspicuous area first to check that the steam has not damaged the sealant or protective surface coating. If the decision is made to continue use on the timber floor care must be taken in traffic areas where the protective coating maybe worn down. Steam may penetrate and damage the wood. Flooring that has been treated with wax, the wax may be removed by the heat and steam action leaving the surface dull. Do not use on unsealed wood floors or let unit stand on any wood floor for an extended period of time. This could cause the wood grain to rise.

Also check use and care instructions from the floor manufacturer.

Not recommended for use on CORK or CORK tiles.

Kenwood will not accept any responsibility caused to flooring if the above warnings have been ignored.

Attention!

Whenever the device is left standing on the floor during use, you may notice the formation of whitish halo. This is no call for concern as it may be removed using a normal decalcifying product or with a few drops of vinegar.

| PROBLEM | CAUSE | SOLUTION |
|--|---|--|
| Appliance won't start | * Electric plug * No water in tank | * Push plug securely into outlet * Try another outlet * Check circuit breaker * Check the tank for water |
| Appliance won't make steam | * No water in tank * Water regulator in OFF position | * Check the tank for water * Turn the water regulator ON |
| Appliance leaves water on the floor | * Floorcloth is too wet * Appliance did not remain flat on surface while turned on | * Change floorcloth * Turn off, unplug from electrical outlet, change floorcloth and reheat appliance. |
| Appliance leaves a whitish halo on floor | * Left in one spot too long | * Remove with few drops of vinegar. * If above step doesn't remove halo, then reheat area for one minute and discoloration will be removed. Do not overheat area. |

