

# RYOBI®

ORIGINAL INSTRUCTIONS

## Cordless Blower/ Vacuum

RBV3650  
RBV3600



## **Important!**

It is essential that you read the instructions in this manual before assembling, operating and maintaining the product.

Subject to technical modification.

## GENERAL SAFETY WARNINGS

Your blower has been engineered and manufactured to Ryobi's high standard for dependability, ease of operation, and operator safety. When properly cared for, it will give you years of trouble-free performance.

Thank you for buying a Ryobi product.

### WARNING

When using battery operated tools basic safety precautions should always be followed to reduce the risk of fire, leaking batteries and personal injury, including the following.

Read all these instructions before operating this product and keep for future reference.

- Do not allow children or untrained individuals to use this product.
- Wear heavy long trousers, non-slip safety footwear and gloves.
- Never operate product while bare foot or wearing open shoes.
- Do not wear loose clothing, or jewellery that might get entangled in this product.
- Do not touch the fan when operating this product.
- Keep all bystanders, children, and pets at least 15 m (50 feet) away. Remember that the operator or user is responsible for accidents occurring to bystanders, their property, as well as themselves.
- Check for damaged parts. Before further use of the product, any part that is damaged should be carefully checked to determine that it will operate properly and perform its intended function.
- Check for breakage of parts and any other conditions that may affect its operation. A guard or other part that is damaged should be properly repaired or replaced by an authorised service centre. Following this rule will reduce the risk of shock, fire, or serious injury.
- Do not force the product. Use the correct tool for your application. The correct tool will do the job better and safer at the rate for which it is designed.
- Do not over-reach. Keep proper footing and balance at all times. Proper footing and balance enables better control of the product in unexpected situations.
- Secure long hair so it cannot become entangled in moving parts or air intake.
- Do not operate this product when you are tired, ill, or under the influence of alcohol, drugs, or medication.
- Do not operate in poor lighting.
- Never let anyone use the product who has not received adequate instructions in the product's proper use.
- Keep the handles dry and clean.
- Consider work area environment. Do not expose power tools to rain. Do not use power tools in damp or wet locations. Keep work area lit. Do not use power tools where there is risk to cause fire or explosion.
- Store battery or idle tools. When not in use, tools and batteries should be stored separately in dry, high or

locked up areas out of reach of children. Ensure that battery terminals cannot be shorted by other metal parts such as screws, nails, etc.

- Disconnect the product from its battery pack when not in use, disconnecting the blower tube before service.
- Avoid unintentional starting. Do not carry the product with a finger on the switch.
- Stay alert. Watch what you are doing. Use common sense. Do not operate product when you are tired.
- Have your product repaired by a qualified person. This product is in accordance with the relevant safety requirements. Repairs should only be carried out by qualified persons using original spare parts, otherwise this may result in considerable danger to the user.

### WARNING

Use only the manufacturer's replacement parts. Failure to do so may cause poor performance, possible injury and may void your warranty.

## BATTERY TOOL USE AND CARE

- Ensure the switch is in the off position before inserting battery pack. Inserting the battery pack into power tools that have the switch on invites accidents.
- Recharge only with the charger specified by the manufacturer. A charger that is suitable for one type of battery pack may create a risk of fire when used with another battery pack.
- Use power tools only with specifically designated battery packs. Use of any other battery packs may create a risk of injury and fire.
- When battery pack is not in use, keep it away from other metal objects like paper clips, coins, keys, nails, screws, or other small metal objects that can make a connection from one terminal to another. Shorting the battery terminals together may cause burns or a fire.
- Under abusive conditions, liquid may be ejected from the battery; avoid contact. If contact accidentally occurs, flush with water. If liquid contacts eyes, seek medical help. Liquid ejected from the battery may cause irritation or burns.

Save these instructions. Refer to them frequently and use them to instruct others who may use this product. If you loan someone this product, loan them these instructions also.

### WARNING

Injuries may be caused, or aggravated, by prolonged use of a tool. When using any tool for prolonged periods, ensure you take regular breaks.

## ADDITIONAL SAFETY RULES

### WARNING

The product is not intended for use by persons (including children) with reduced physical, sensory or mental capabilities, or lack of experience and knowledge.

Children should be supervised to ensure that they do not play with the product.

### WARNING

Your blower/vacuum may be supplied with a harness. Carefully adjust the harness to comfortably help to support the weight of the product.

Identify the quick release mechanism and practice using it before you start using the product. Its correct use may prevent serious injury in the case of an emergency. Never wear additional clothing over the harness or otherwise restrict access to the quick release mechanism.

## BLOWER SAFETY WARNINGS

- Wear a face filter mask in dusty conditions to reduce the risk of injury associated with the inhalation of dust.
- Do not point the blower nozzle in the direction of people or pets.
- Never place objects inside the blower tubes.
- Do not operate the product near open windows, etc.
- Slightly dampen surfaces in dusty conditions.
- Use the full blower nozzle extension so the air stream can work close to the ground.
- Do not place blower on top of or near loose debris. Debris may be sucked into intake vent resulting in possible damage to the product.

## VACUUM SAFETY WARNINGS

### WARNING

Never operate the vacuum with only the upper vacuum tube fitted. The risk of personal injury is significantly increased if you fail to follow this warning.

- Do not operate vacuum without vacuum bag assembly installed; flying debris could cause serious injury. Make sure the vacuum bag is completely zipped closed before operating.
- Move the vacuum from side to side along outer edge of debris. To avoid clogging, do not place the vacuum tube directly into the debris pile.
- Hold the motor higher than the inlet end of the vacuum tube.
- Always point vacuum tube downhill when working on a hillside.
- To avoid serious injury to the operator or damage to the product, do not try to vacuum up rocks, broken glass, bottles, or other similar objects.

- Avoid situations that could cause fire in the vacuum bag. Do not operate near an open flame. Do not vacuum warm ash from fireplaces, barbecue pits, etc. Do not vacuum discarded cigars or cigarettes unless the cinders are completely cool.

## INTENDED USE

You may use this product for the purposes listed below:

- Clearing hard surfaces such as driveways and walkways.
- Keeping decks and driveways free from leaves and pine needles.

Do not use the product in any way other than those stated.

## TRANSPORTATION AND STORAGE

- Stop the product, remove the battery and allow it to cool before storing or transporting.
- Clean all foreign material from the product. Store it in a cool dry and well-ventilated place that is inaccessible to children. Keep away from corrosive agents such as garden chemicals and de-icing salts. Do not store outdoors.
- For transportation, secure the product against movement or falling to prevent injury to persons or damage to the product.

## TRANSPORTING LITHIUM BATTERIES

Transport the battery in accordance with local and national provisions and regulations.

Follow all special requirements on packaging and labelling when transporting batteries by a third party. Ensure that no batteries can come in contact with other batteries or conductive materials while in transport by protecting exposed connectors with insulating, non-conductive caps or tape. Do not transport batteries that are cracked or leaking. Check with the forwarding company for further advice.

## MAINTENANCE

### WARNING

Use only original manufacturer's replacement parts, accessories and attachments. Failure to do so can cause possible injury, poor performance and may void your warranty.

### WARNING

Servicing requires extreme care and knowledge and should be performed only by a qualified service technician. For service we suggest you return the product to your nearest authorised service centre for repair. When servicing, use only identical replacement parts.

- You may make adjustments and repairs described here. For other repairs, contact the authorised service agent.
- After each use, clean the product with a soft dry cloth.

- Check all nuts, bolts and screws at frequent intervals for proper tightness to ensure the product is in safe working condition. Any part that is damaged should be properly repaired or replaced by an authorised service centre.



Vacuum mode

## SYMBOLS IN THIS MANUAL



Note



Warning

The following signal words and meanings are intended to explain the levels of risk associated with this product.

### **DANGER**

Indicates an imminently hazardous situation, which, if not avoided, will result in death or serious injury.

### **WARNING**

Indicates a potentially hazardous situation, which, if not avoided, could result in death or serious injury.

### **CAUTION**

Indicates a potentially hazardous situation, which, if not avoided, may result in minor or moderate injury.

### **CAUTION**

Without safety alert symbol

Indicates a situation that may result in property damage.

## KNOW YOUR PRODUCT

See page 6.

1. Fan cover
2. Upper vacuum tube
3. Lower vacuum tube
4. Guide wheels
5. High speed nozzle
6. Lower blow tube
7. Upper blow tube
8. Vacuum bag
9. Bag adaptor
10. Blower/vacuum mode selection lever
11. Front handle
12. Speed selector
13. Rear handle
14. On/Off trigger
15. Locking pin
16. Sliding lock

## SYMBOLS ON THE PRODUCT



Safety alert



Read and understand all instructions before operating the product, follow all warnings and safety instructions.



Beware of thrown or flying objects. Keep all bystanders, especially children and pets, at least 15 m away from the operating area.



Rotating fans. Keep hands and feet out of openings while the product is running.



Wear ear protection.



Wear eye protection.



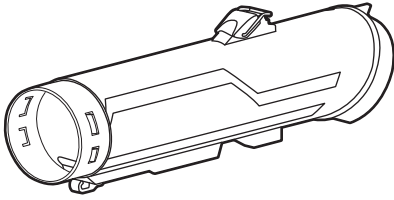
Do not expose to rain or damp condition.



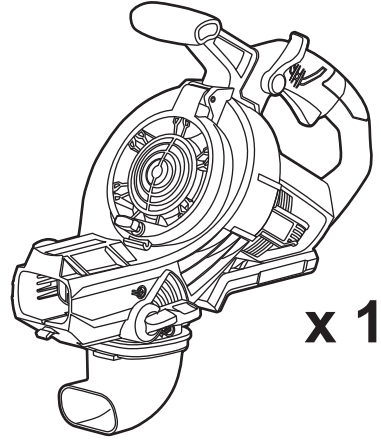
Waste electrical products should not be disposed of with household waste. Please recycle where facilities exist. Check with your local authority or retailer for recycling advice.



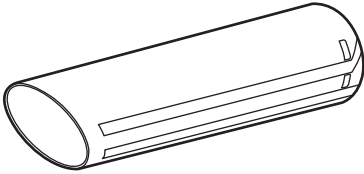
Blower mode



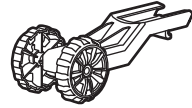
x 1



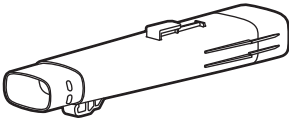
x 1



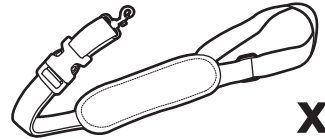
x 1



x 1



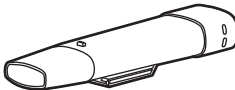
x 1



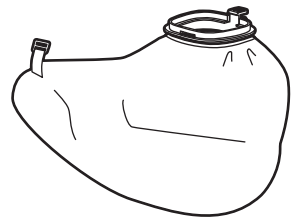
x 1



x 1



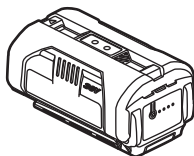
x 1



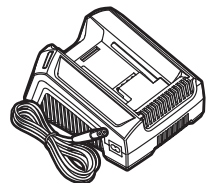
x 1



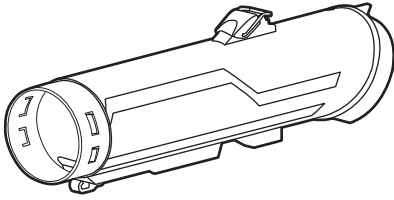
x 1



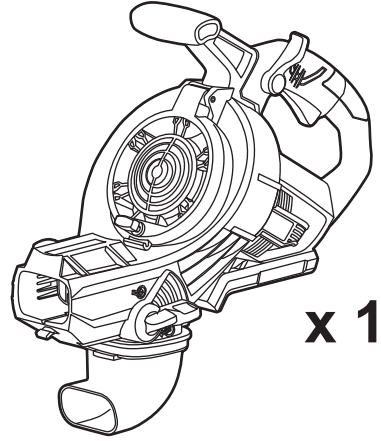
x 1



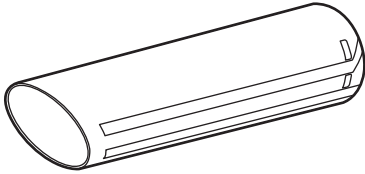
x 1



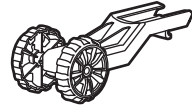
x 1



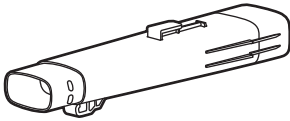
x 1



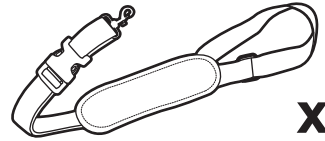
x 1



x 1



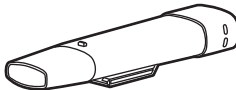
x 1



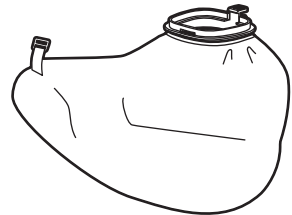
x 1



x 1



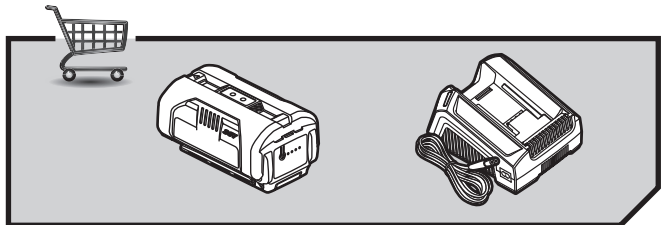
x 1

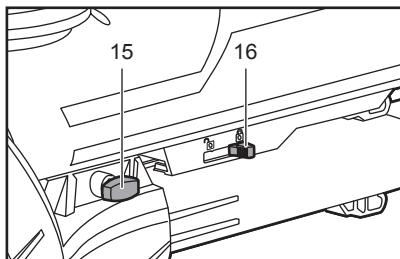
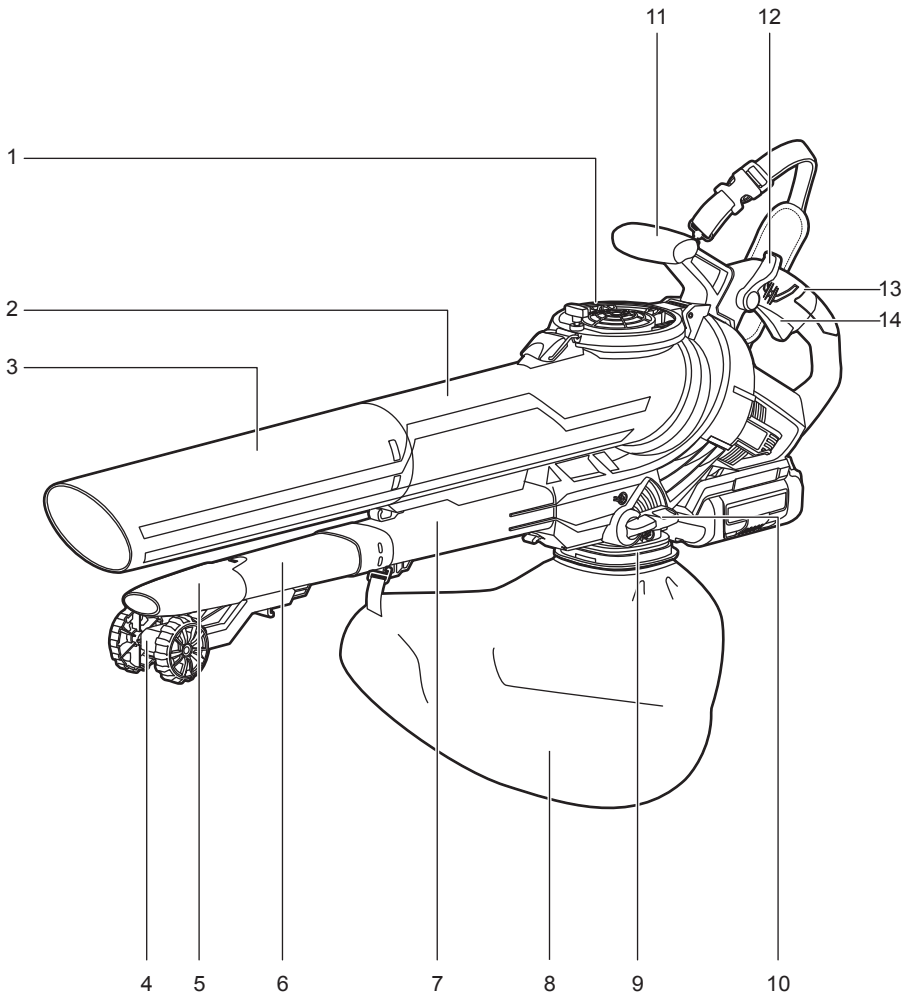


x 1

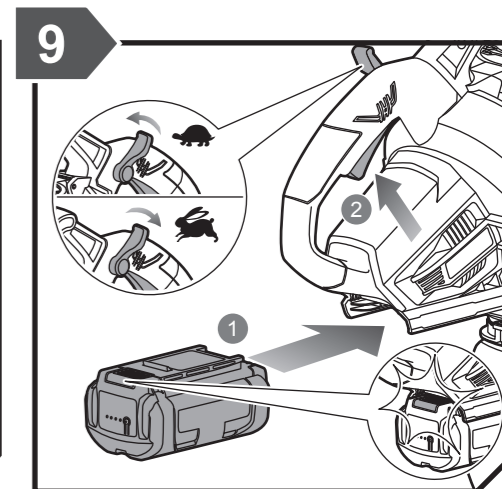
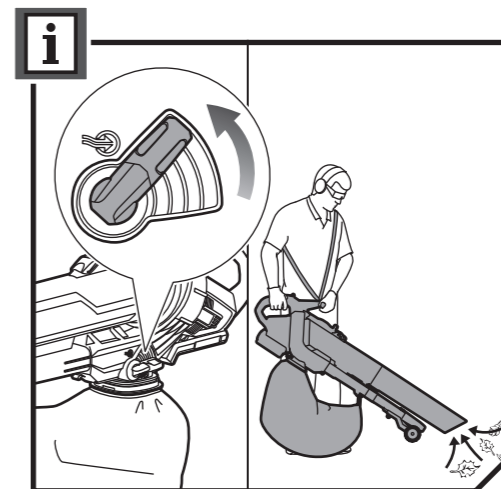
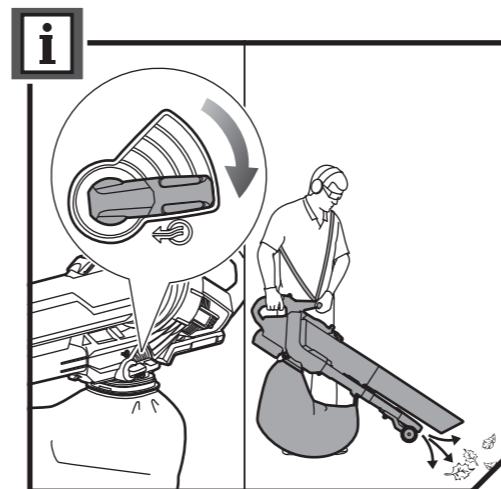
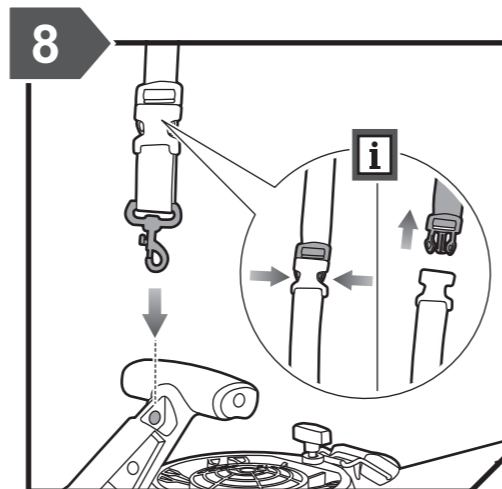
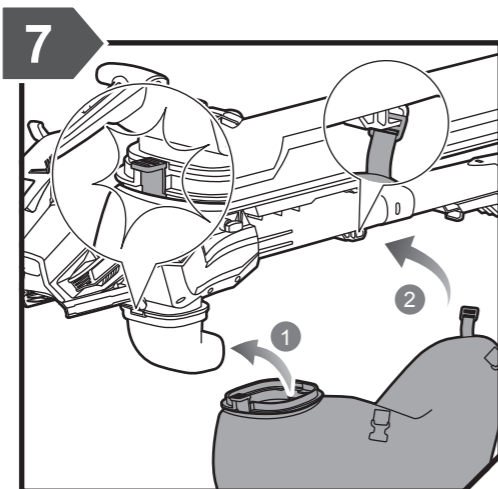
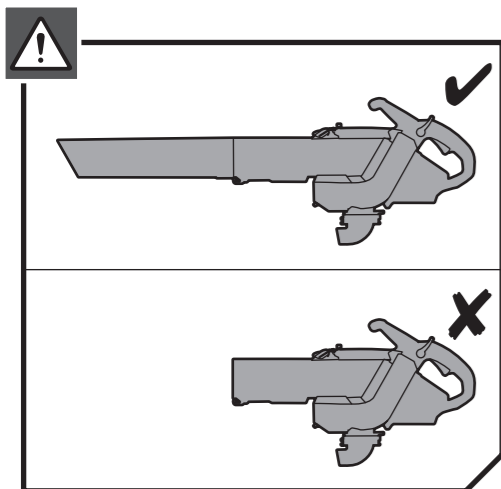
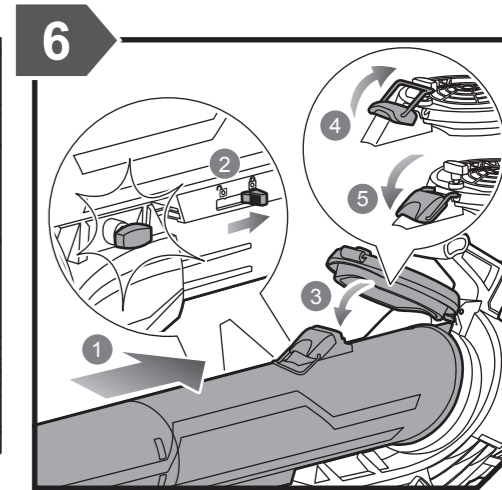
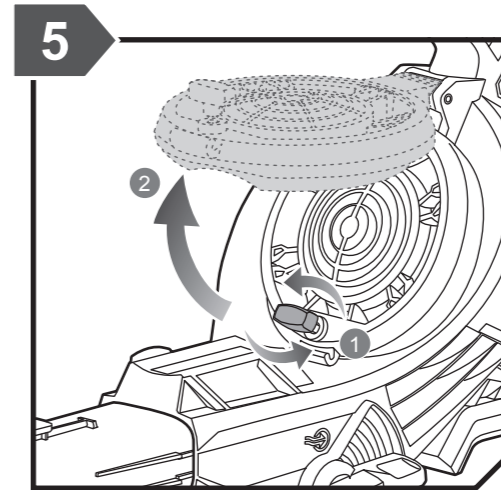
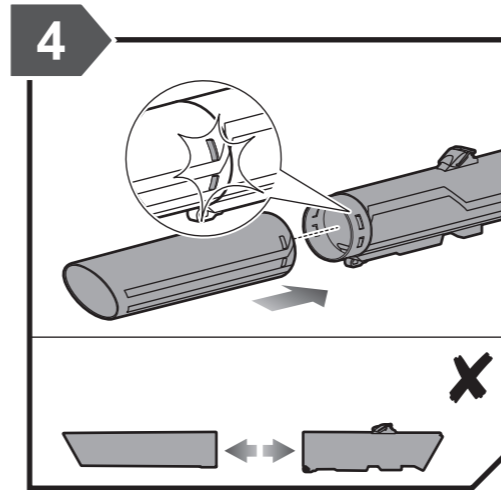
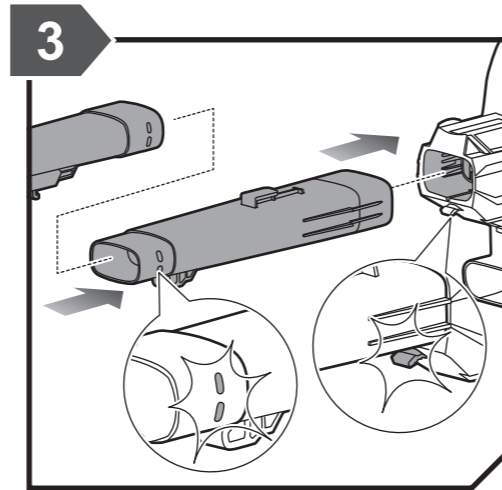
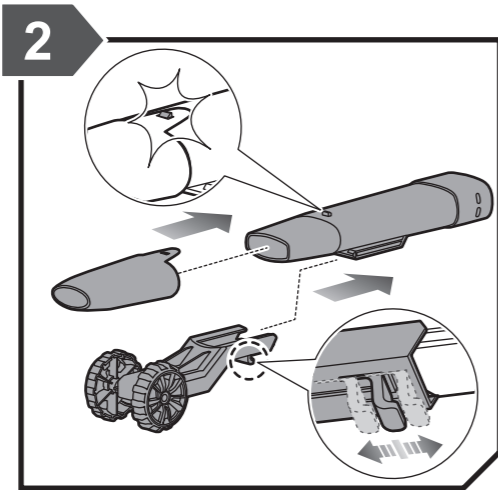
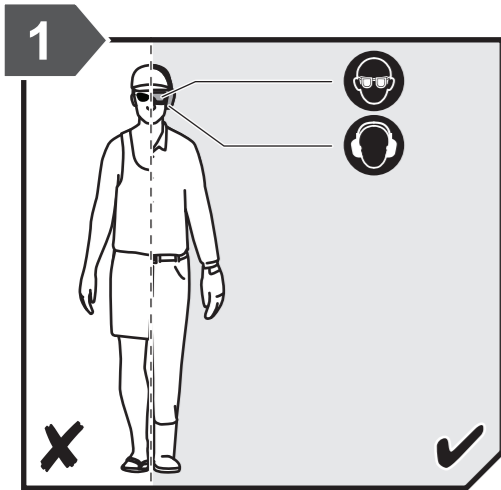


x 1

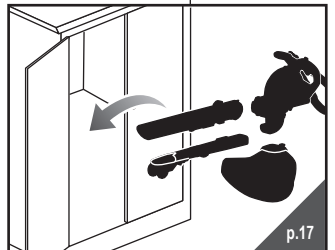
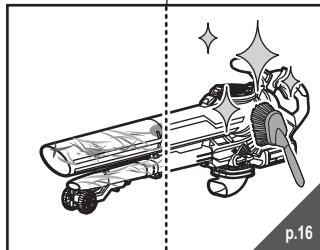
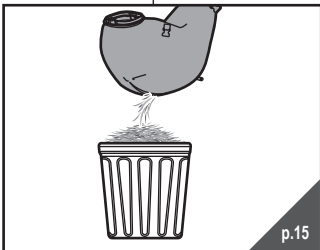
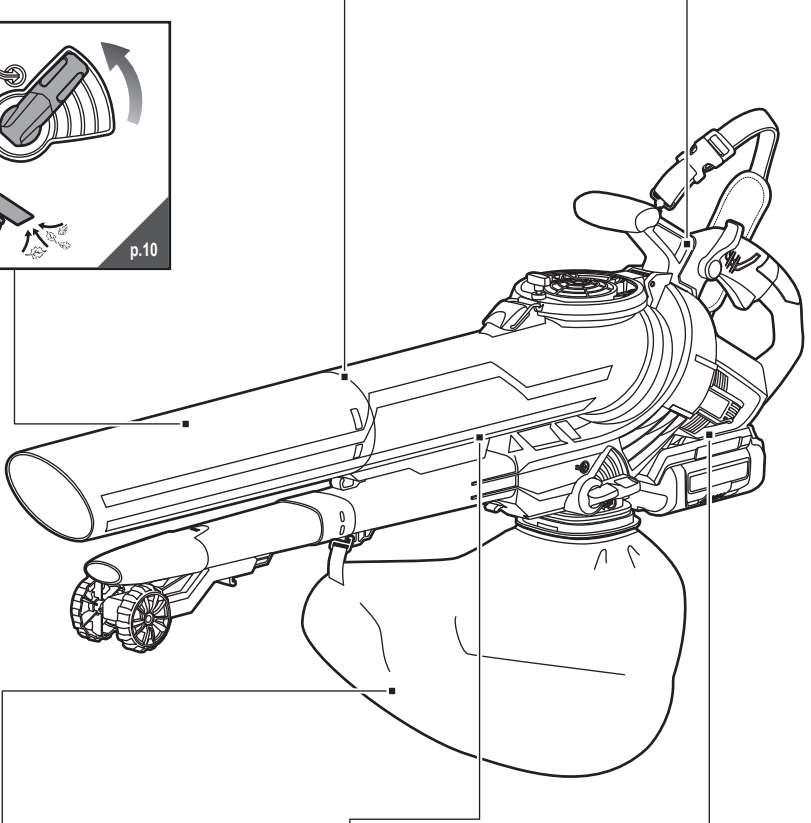
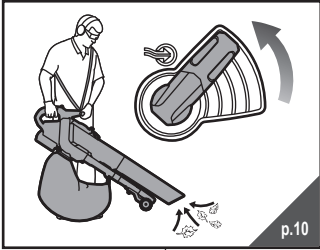
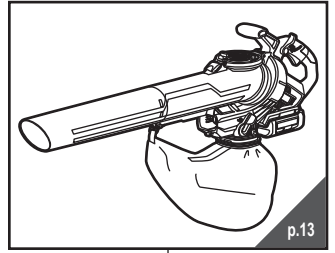
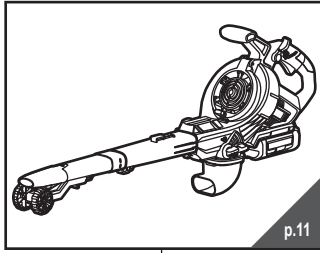
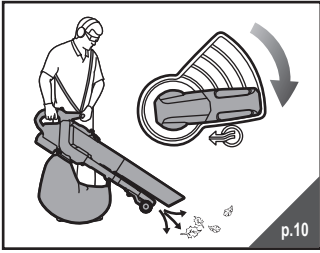


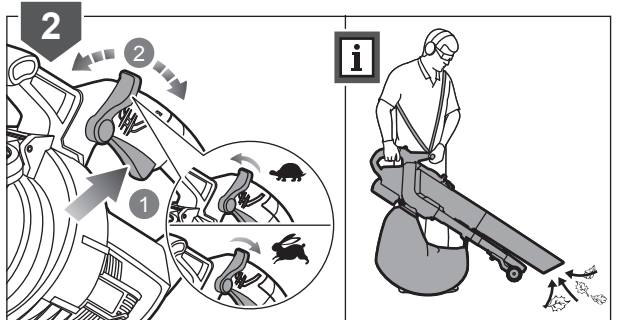
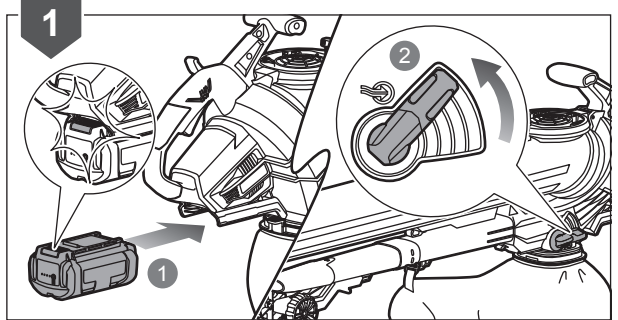
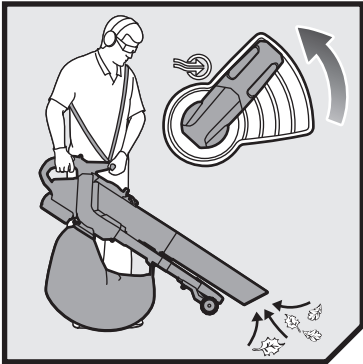
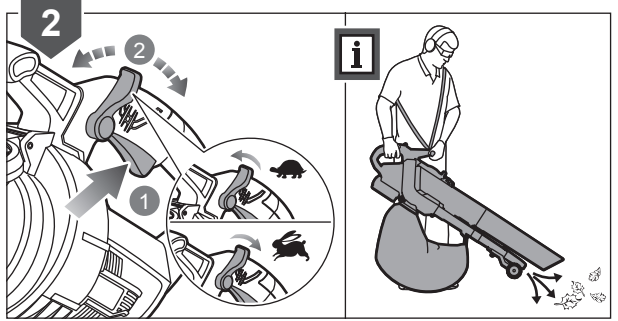
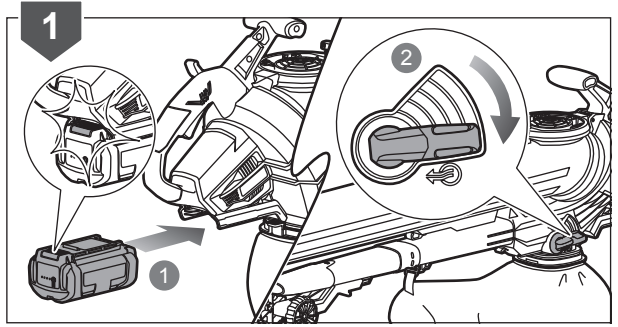
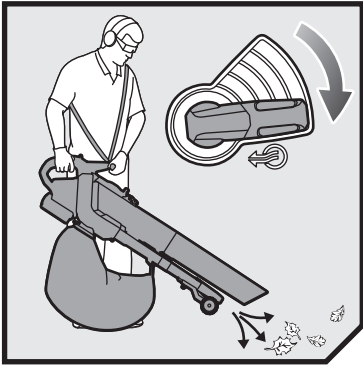


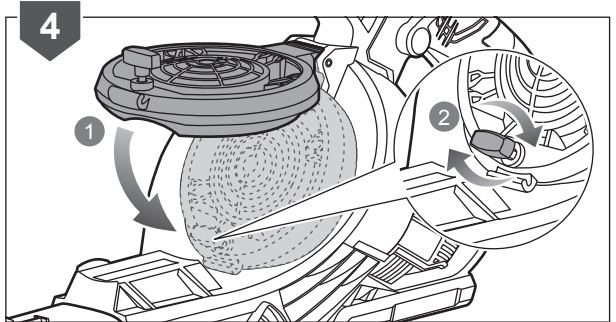
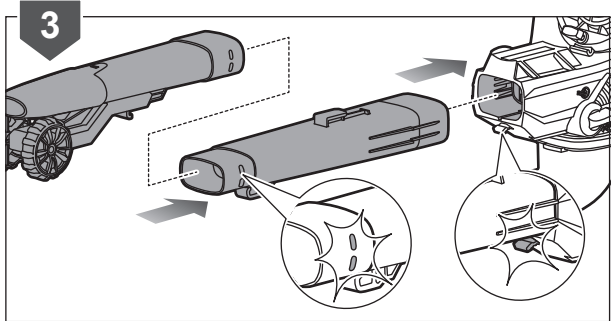
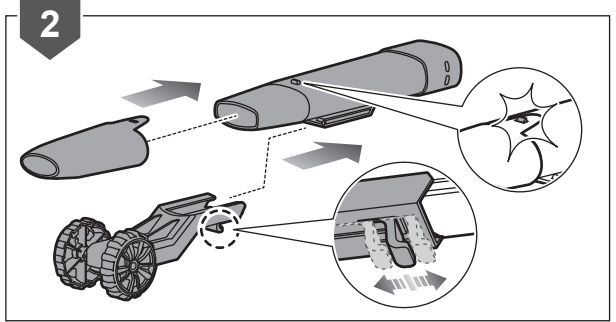
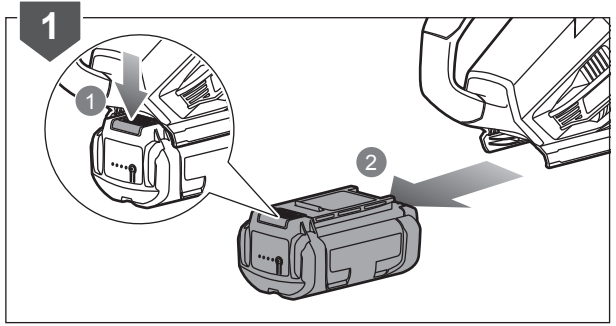
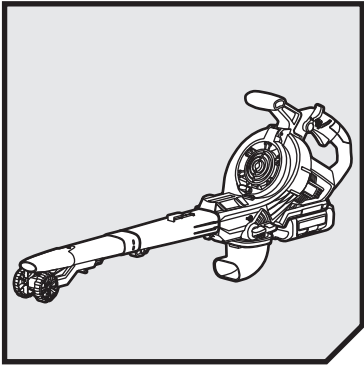


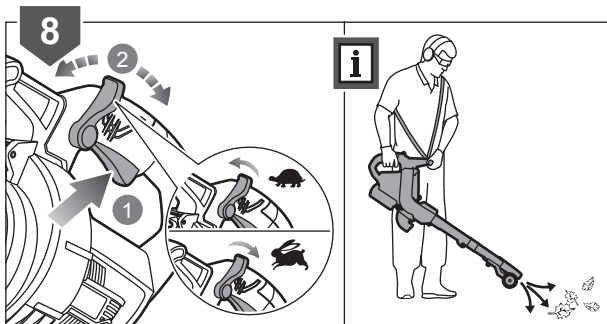
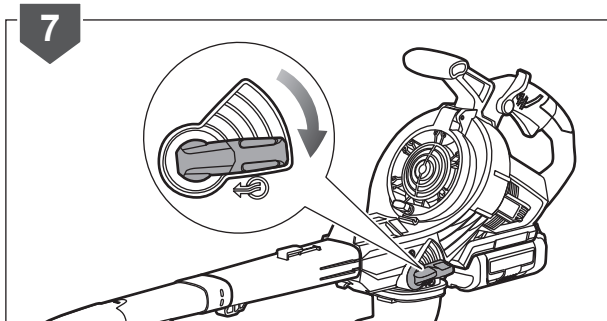
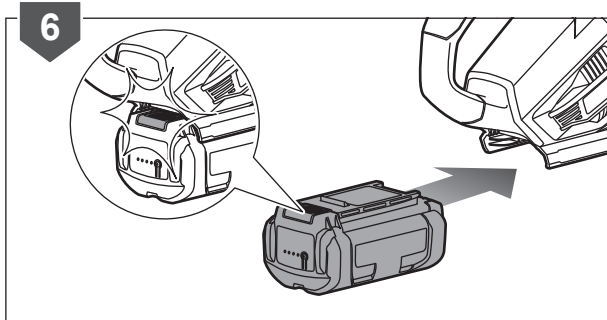
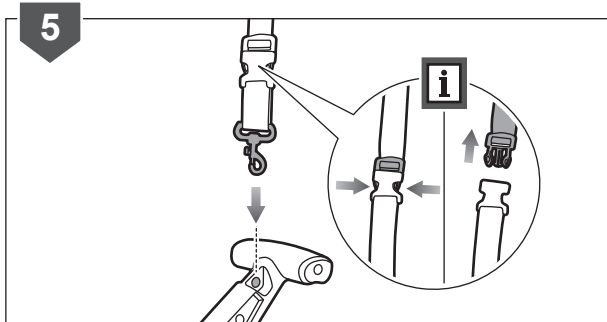


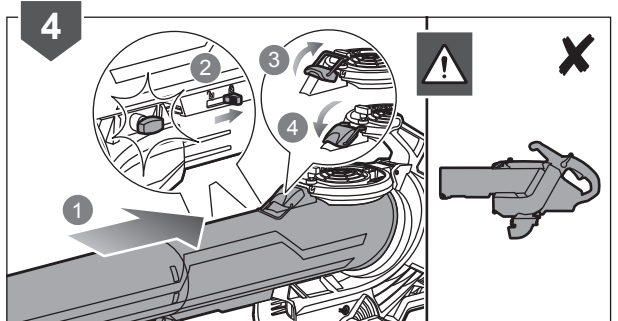
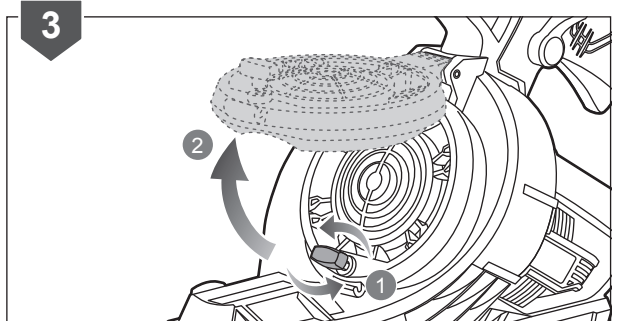
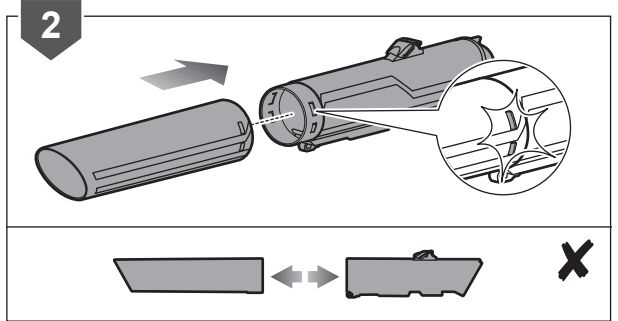
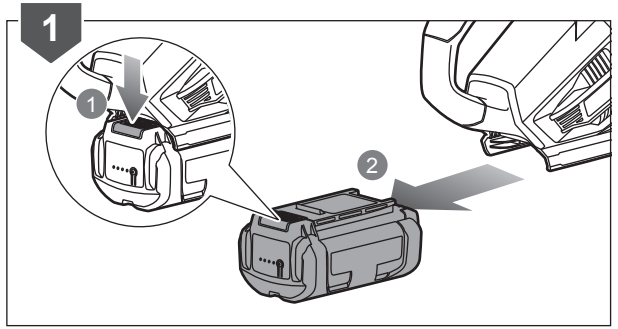
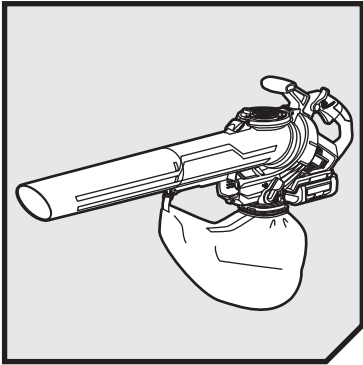


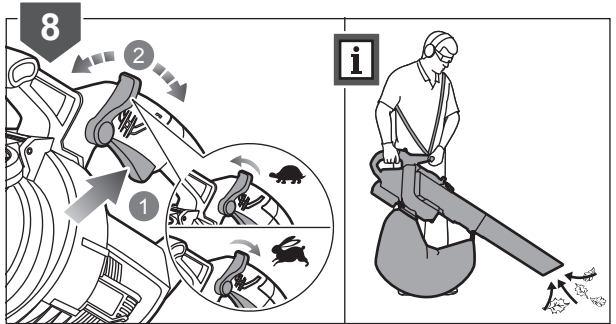
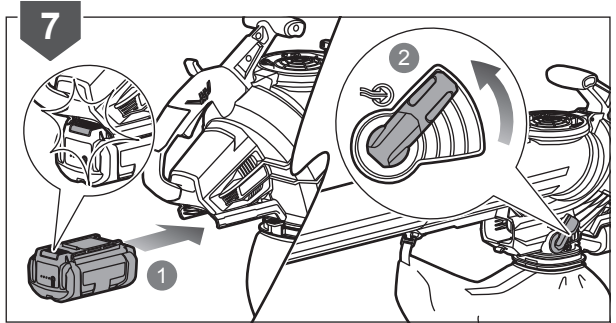
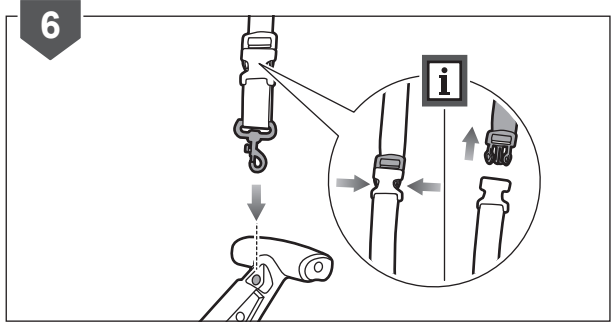
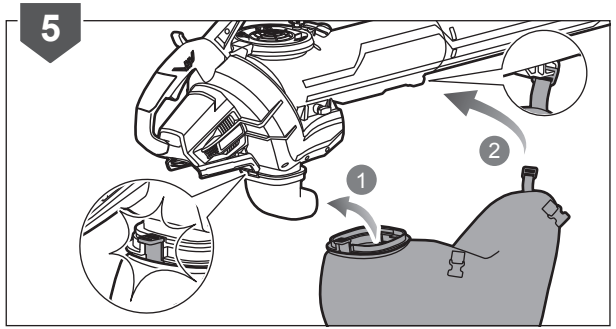




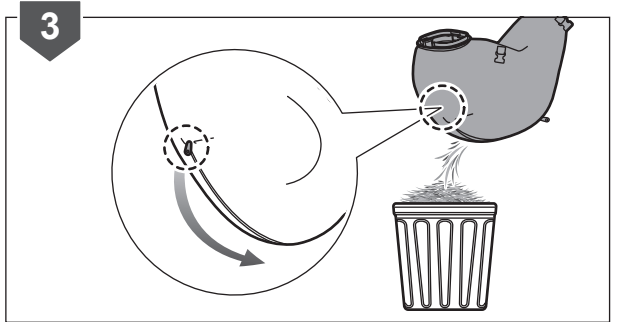
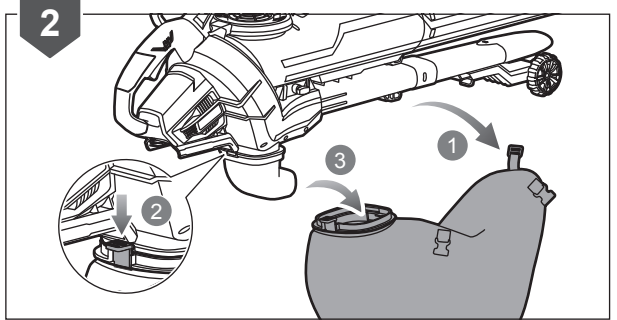
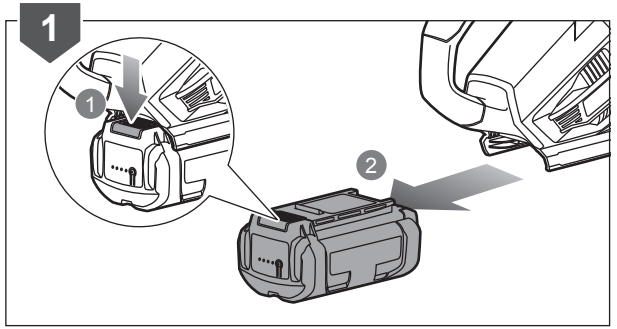
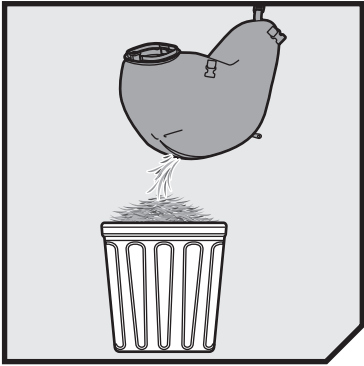


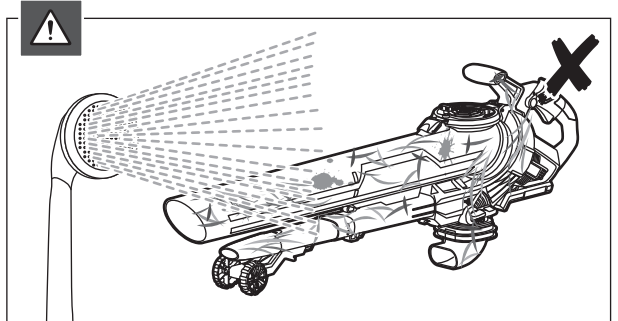
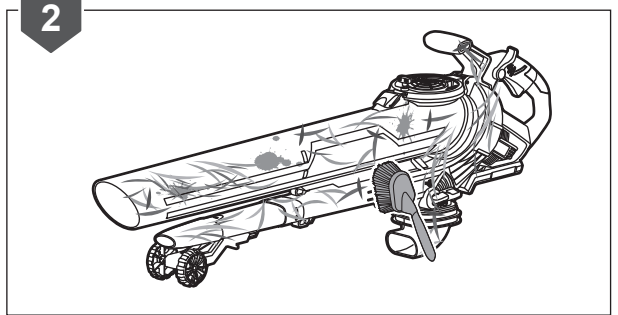
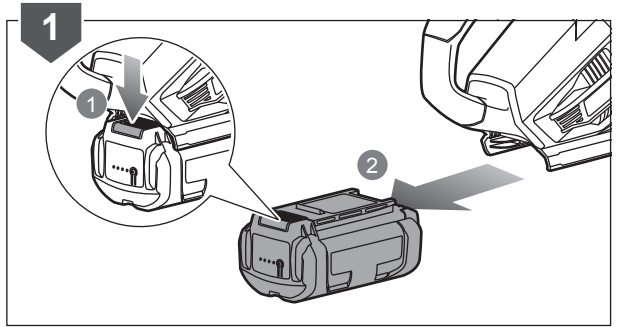
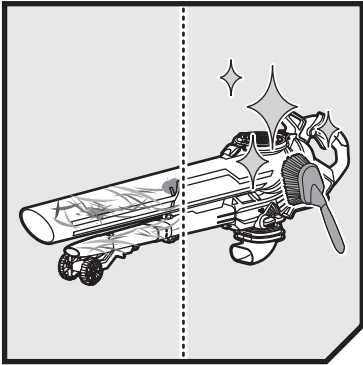


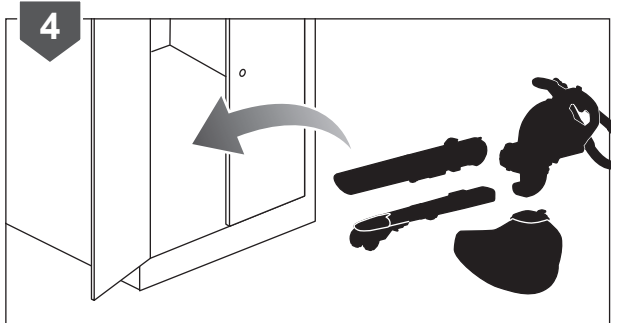
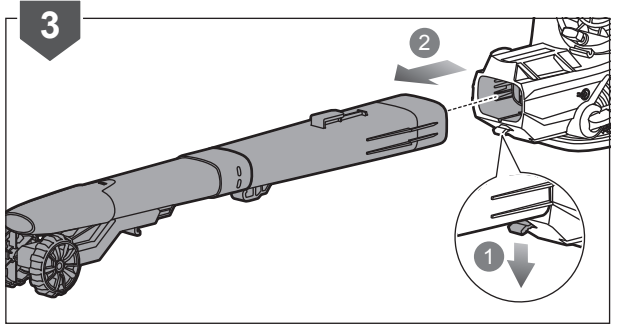
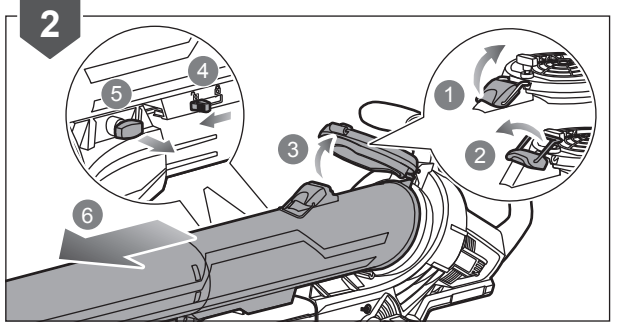
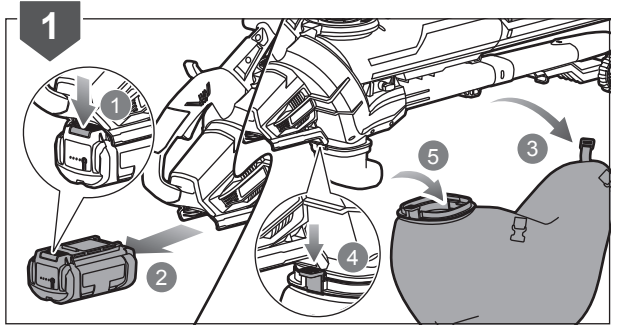
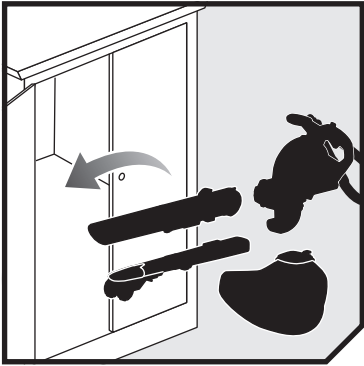












## PRODUCT SPECIFICATIONS

Model	RBV3650 / RBV3600
-------	-------------------

Rated voltage	36V
---------------	-----

Air velocity	
--------------	--

Blower	237.6 km/h
--------	------------

Vacuum	126 km/h
--------	----------

Air volume	
------------	--

Blower	5.0 m <sup>3</sup> /min
--------	-------------------------

Vacuum	12.85 m <sup>3</sup> /min
--------	---------------------------

Mulching ratio	10:1
----------------	------

Weight (with battery)	
-----------------------	--

Blower/vacuum mode	5.8 kg
--------------------	--------

Blower mode	4.9 kg
-------------	--------

Vacuum mode	5.3 kg
-------------	--------

## BATTERY AND CHARGER

Model	RBV3650	RBV3600
-------	---------	---------

Battery pack	BPL3650D	Not included
--------------	----------	--------------

Weight	1.44 kg	-
--------	---------	---

Charger	BCL3620	Not included
---------	---------	--------------

Compatible battery packs	BPL3625D/BPL3626/BPL3640/ BPL3640D/BPL3650D	
--------------------------	--	--

## REPLACEMENT PART

Bag	RAC359
-----	--------



Imported by:

**Techtronic Industries (Australia) Pty. Ltd.**

Level 1, 660 Doncaster Road  
Doncaster, VIC 3108, Australia

**Techtronic Industries New Zealand Ltd.**

18-26 Amelia Earhart Avenue  
Mangere, Auckland 2022, New Zealand