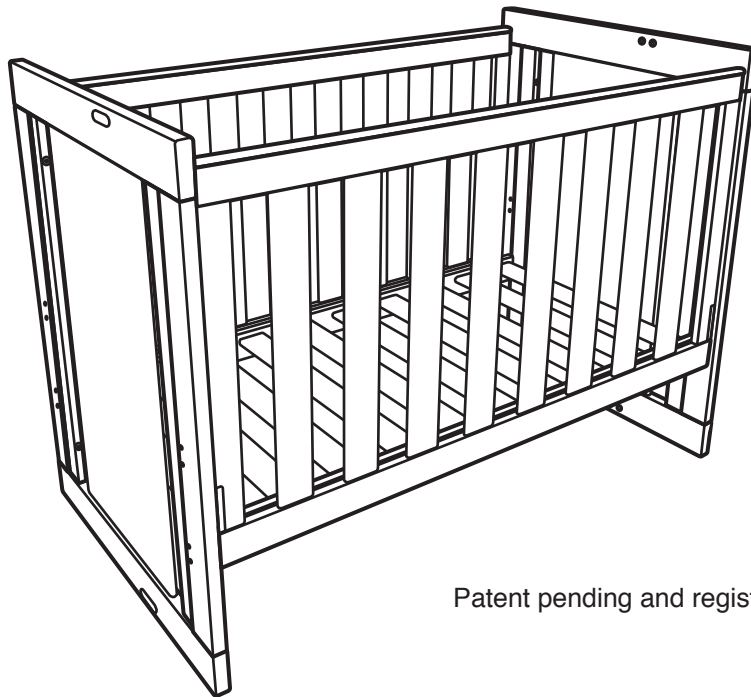


**Grotime**<sup>®</sup>  
*Innovating children's furniture*

# SLEEPOVER

5 in 1 cot to full size single bed

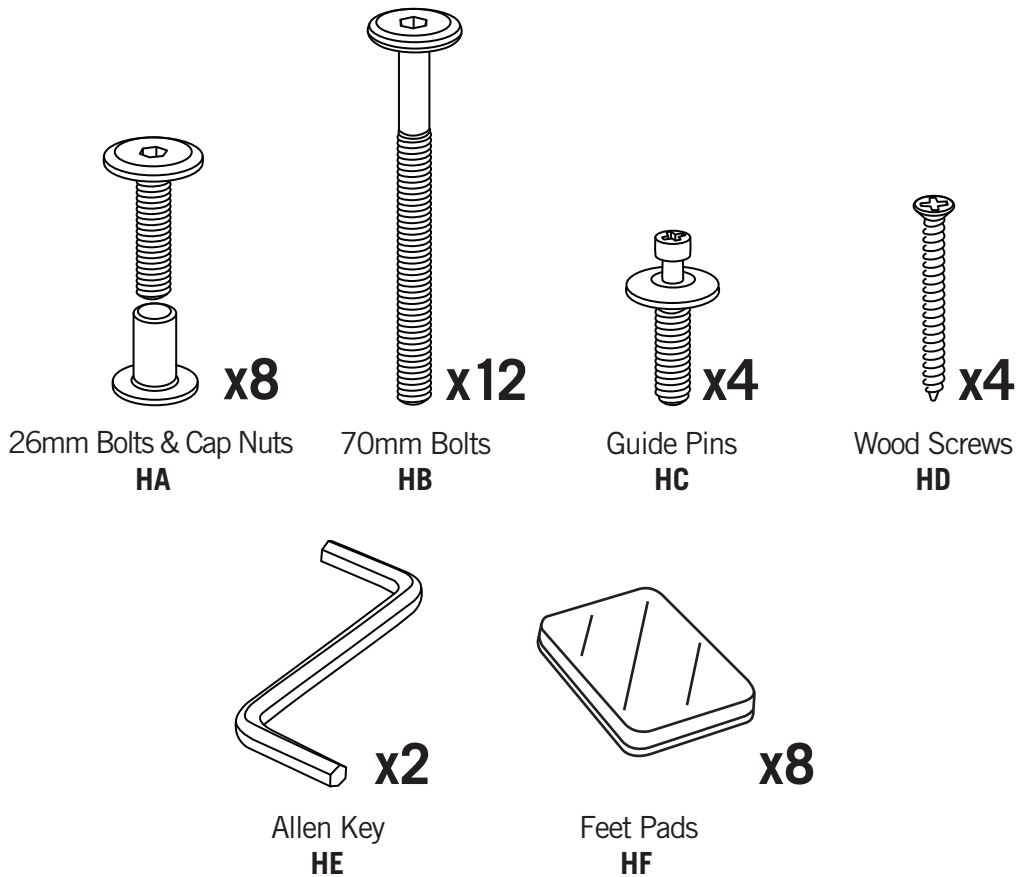


Patent pending and registered design.

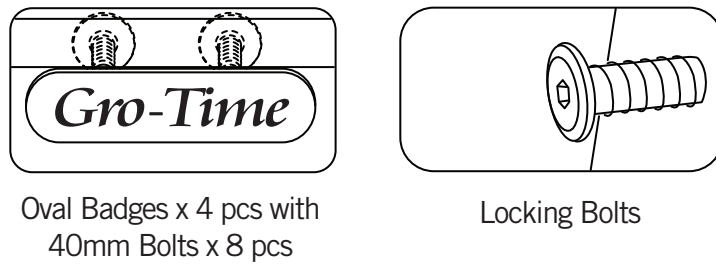
**!**  Two adults required to assemble this cot.

**!** The manufacturer's assembly instructions must be followed in detail to ensure the safety features to the cot are not compromised.

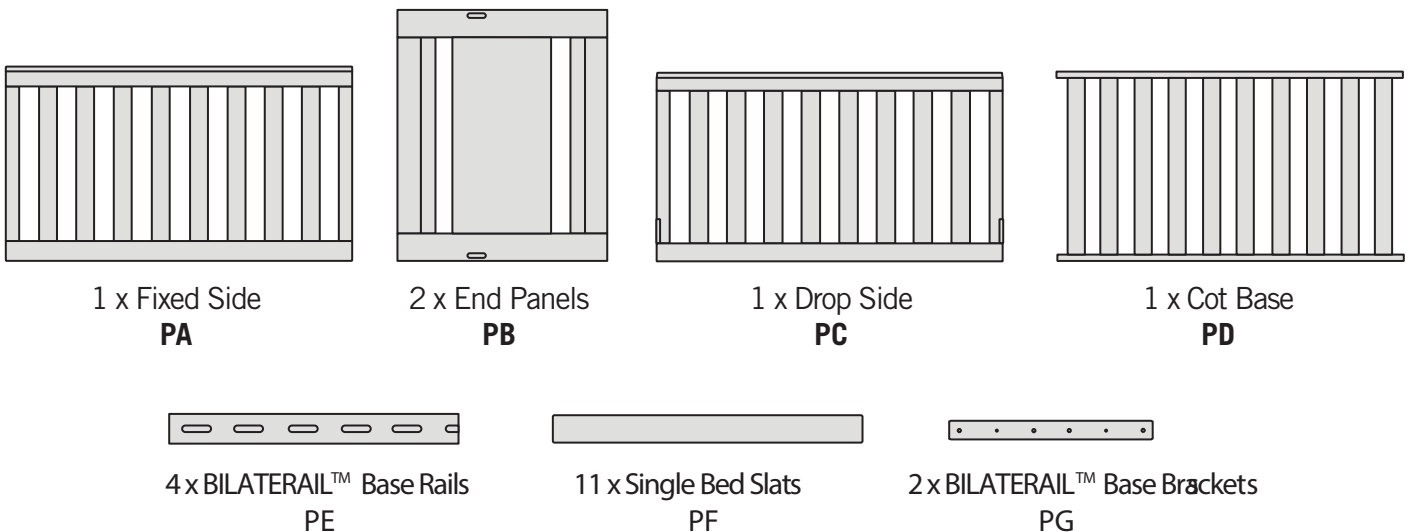
# HARDWARE INVENTORY



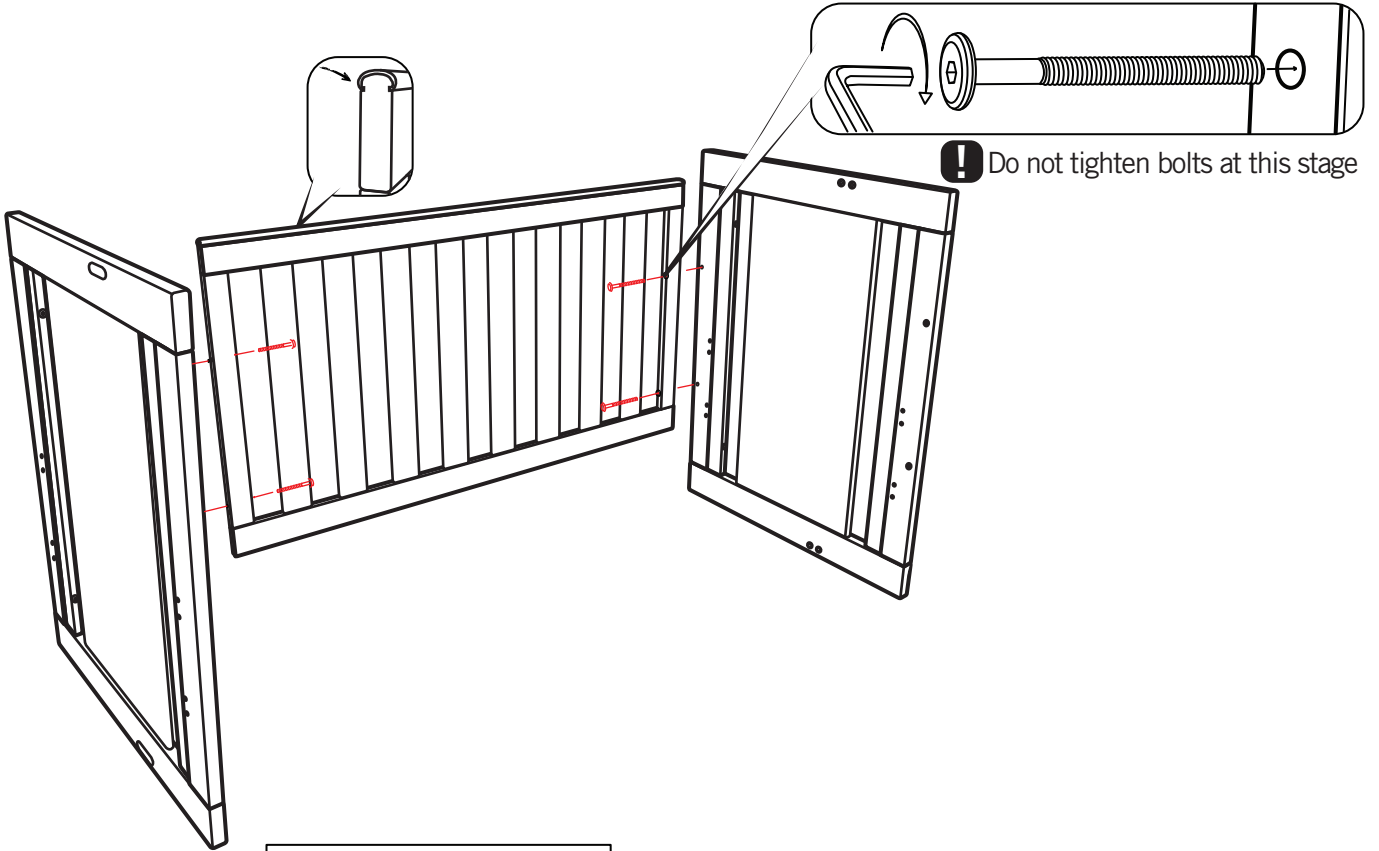
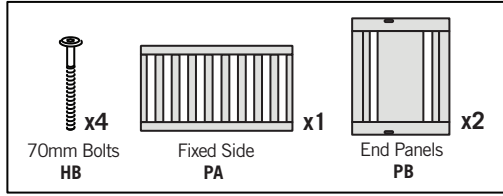
# PRE-INSTALLED HARDWARE



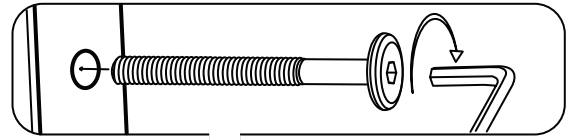
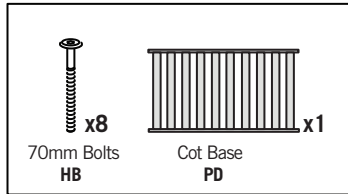
# PARTS LIST



# STEP 1 ASSEMBLE FIXED SIDE TO ENDS



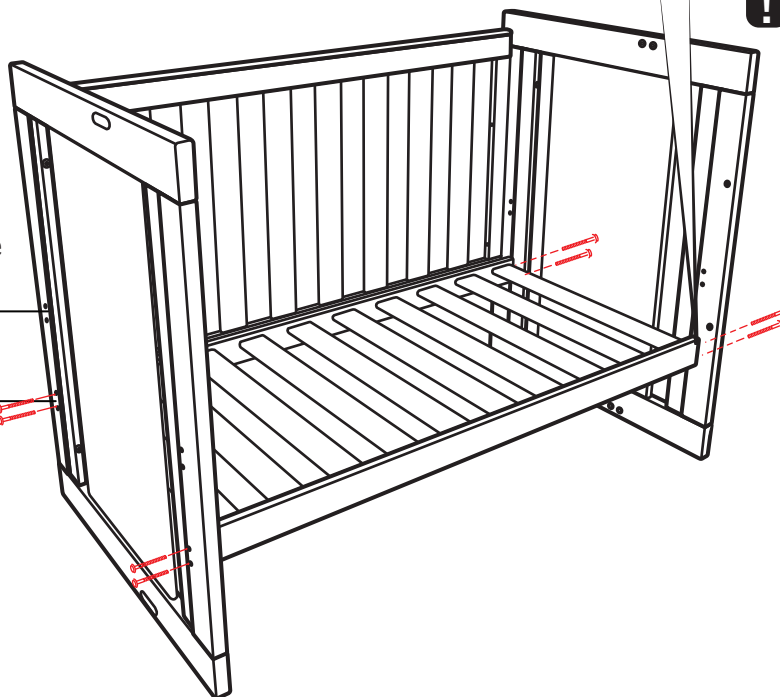
# STEP 2 ASSEMBLE BASE



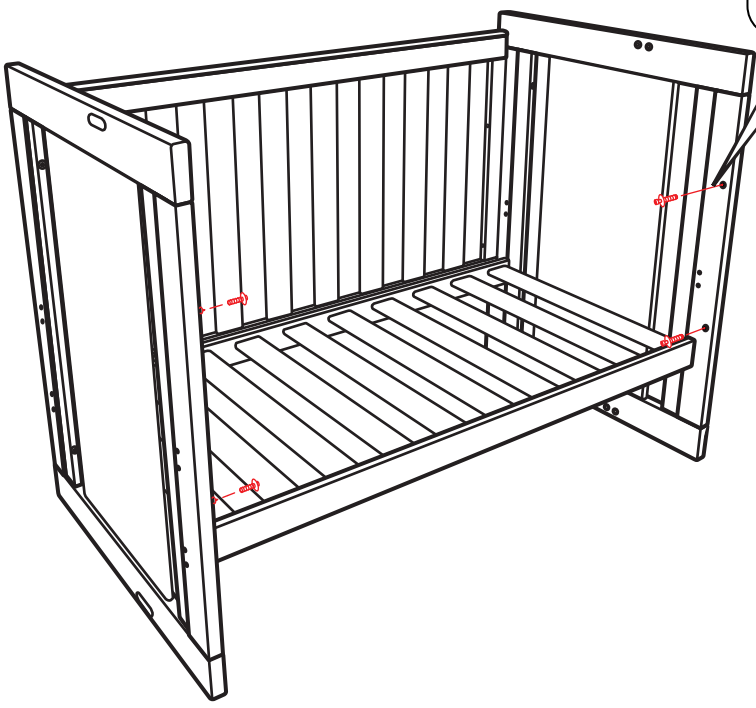
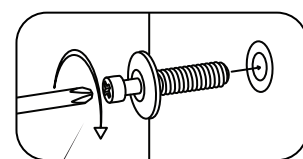
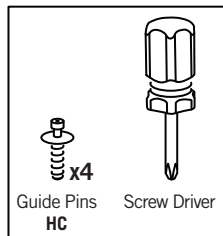
! Chose high or low position for mattress base

**HIGH**  
Bassinet level

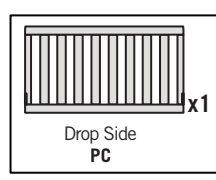
**LOW**  
Toddler level



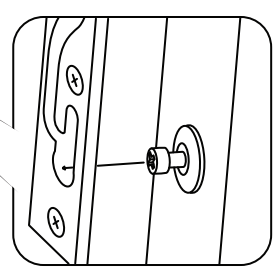
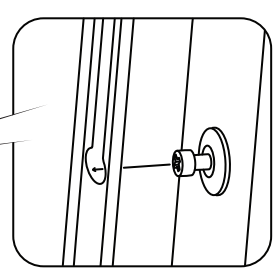
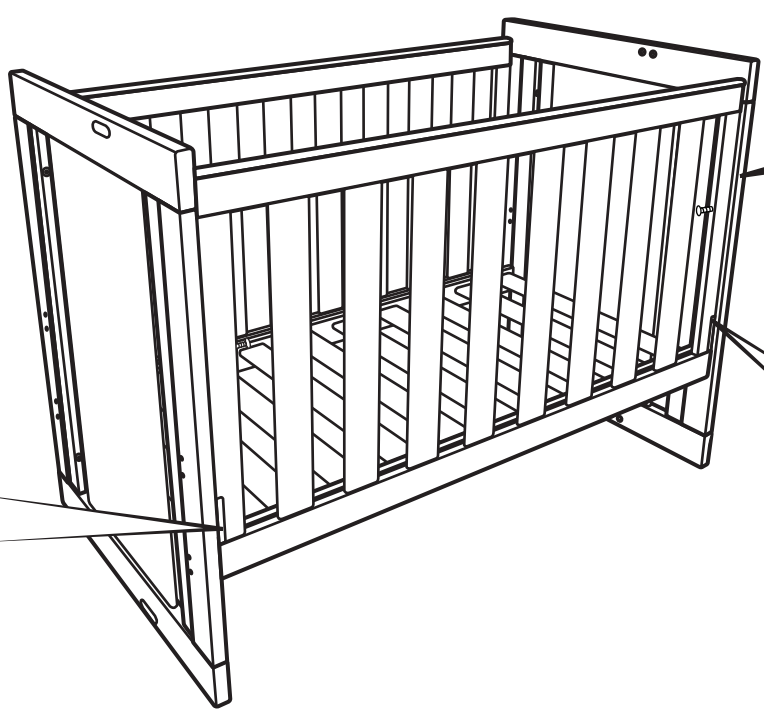
**STEP 3**  
**SCREW FOUR GUIDE PINS**  
**INTO ENDS FIRMLY**



**STEP 4**  
**ASSEMBLE**  
**DROP SIDE**

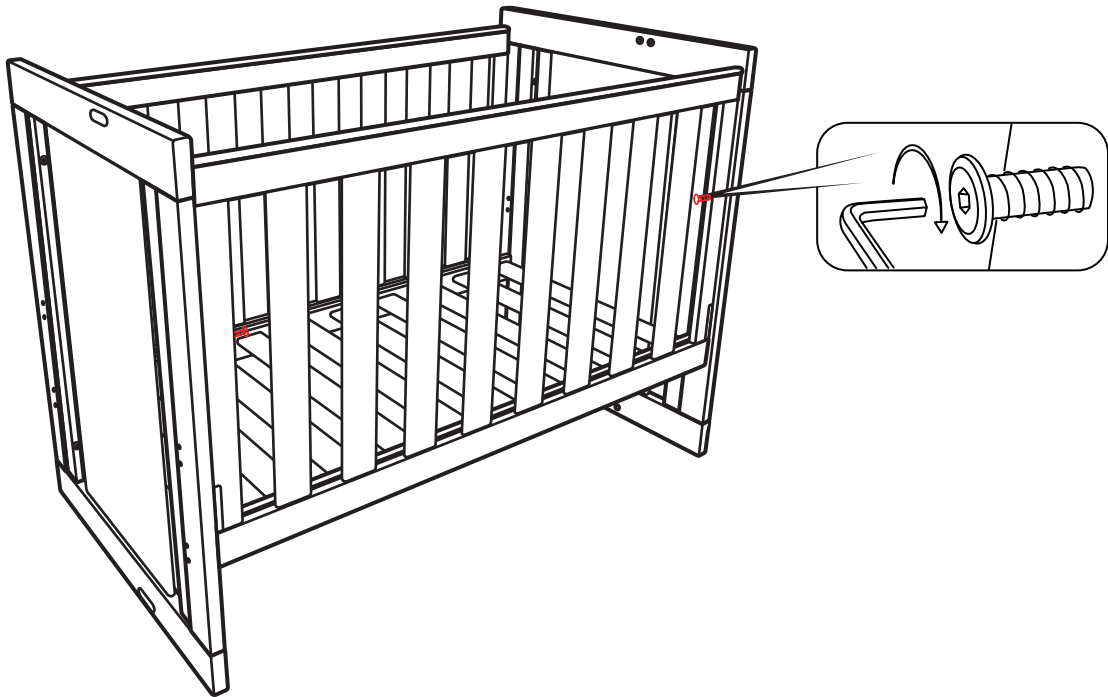


Align two access holes in the built-in runner with the guide pins on one end. Now repeat on other end.

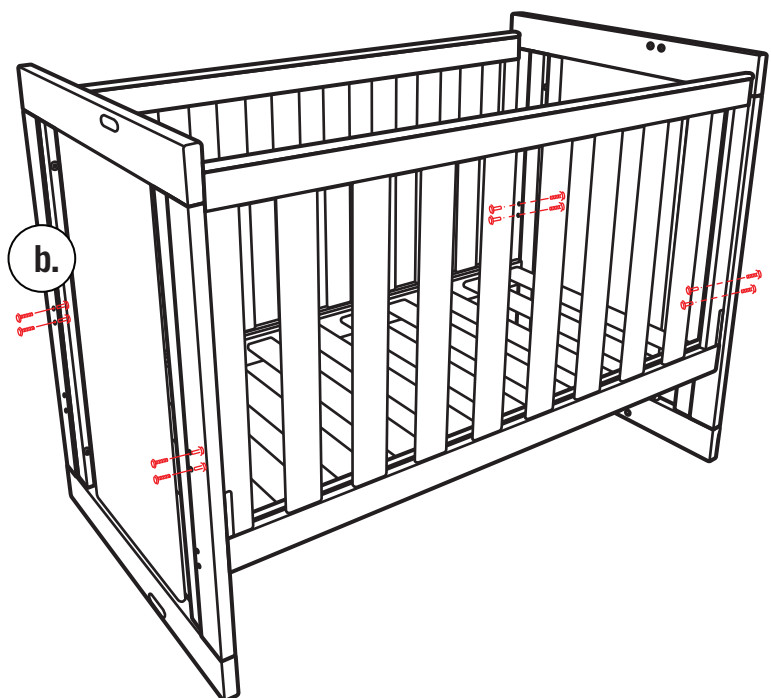
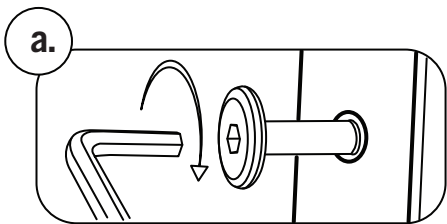
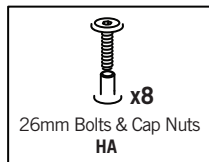


**!** Ensure correct side is facing out.

**STEP 5**  
FULLY SCREW IN  
LOCKING BOLTS



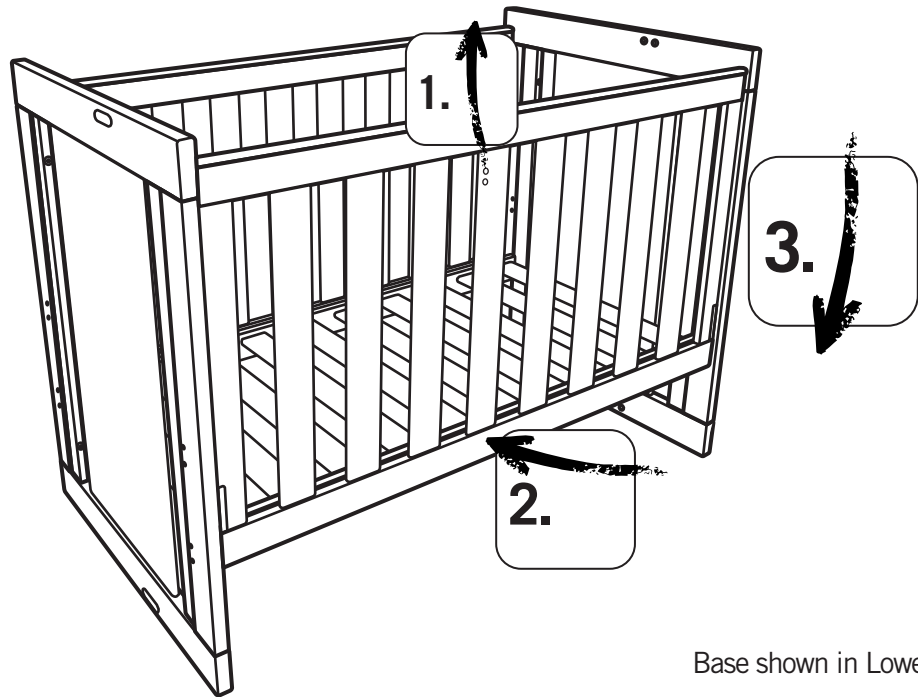
**STEP 6**  
TIGHTEN ALL BOLTS  
AND PLUG FINGER  
ENTRAPMENTS



## STEP 7

### OPERATION

To lower drop side, lift from centre of top rail, hold side in that position while using your leg to push inward on centre of bottom rail. Then allow to slide gently down.

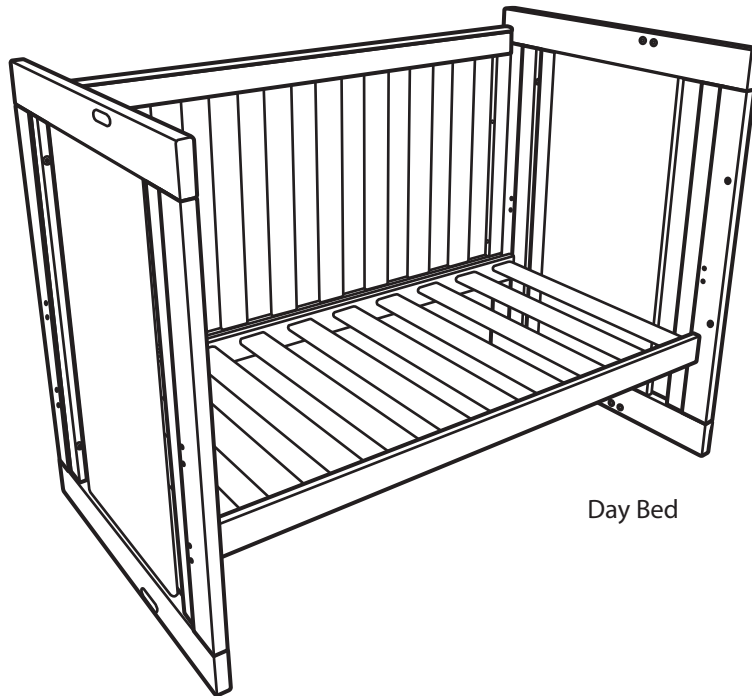


Base shown in Lower Position.

## DAY BED CONVERSION

Remove dropside by reversing to step 2.

**!** Remove dropside guide pins (HC) from the ends to prevent injury.

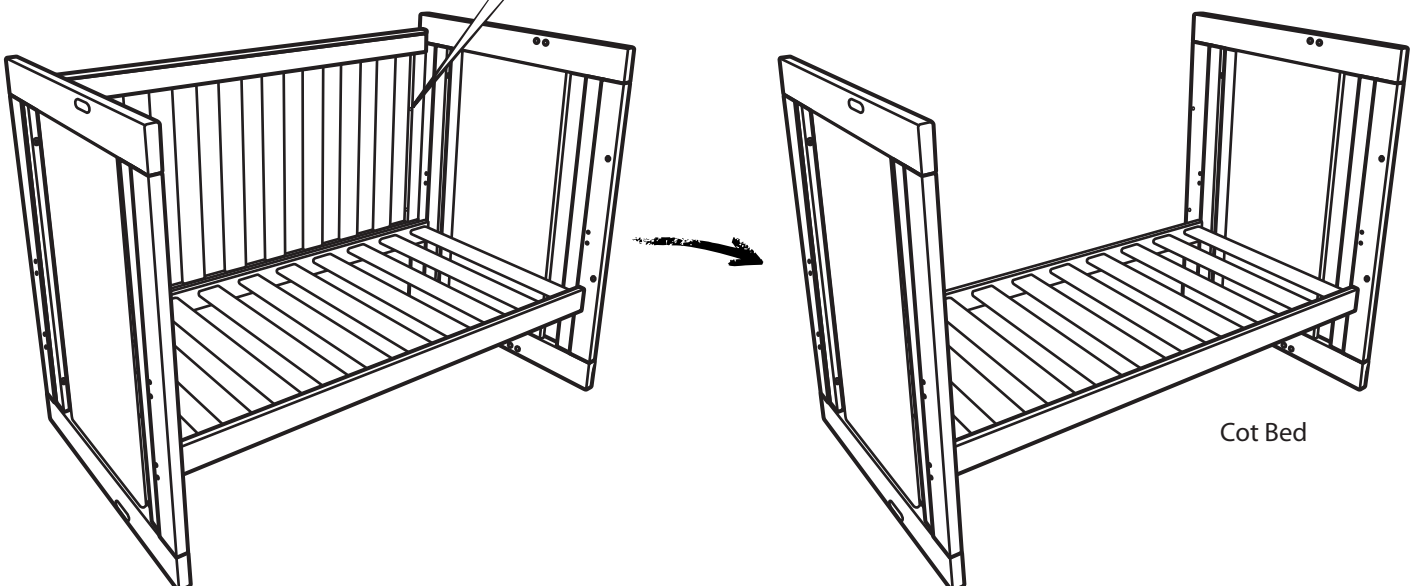
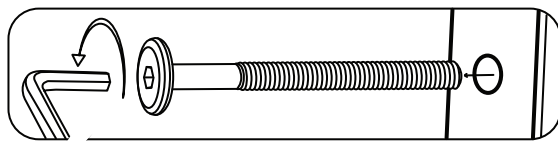


## COT BED CONVERSION

**a.** Remove dropside by reversing to step 2.

**!** Remove dropside guide pins (HC) from the ends to prevent injury.

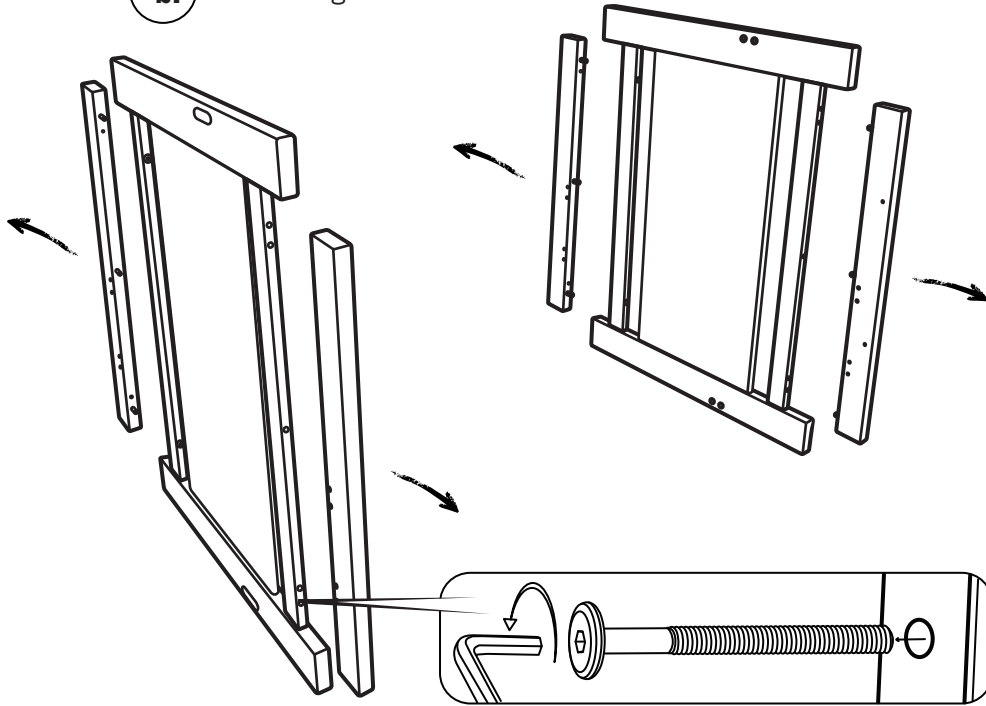
**b.** Remove fixed side



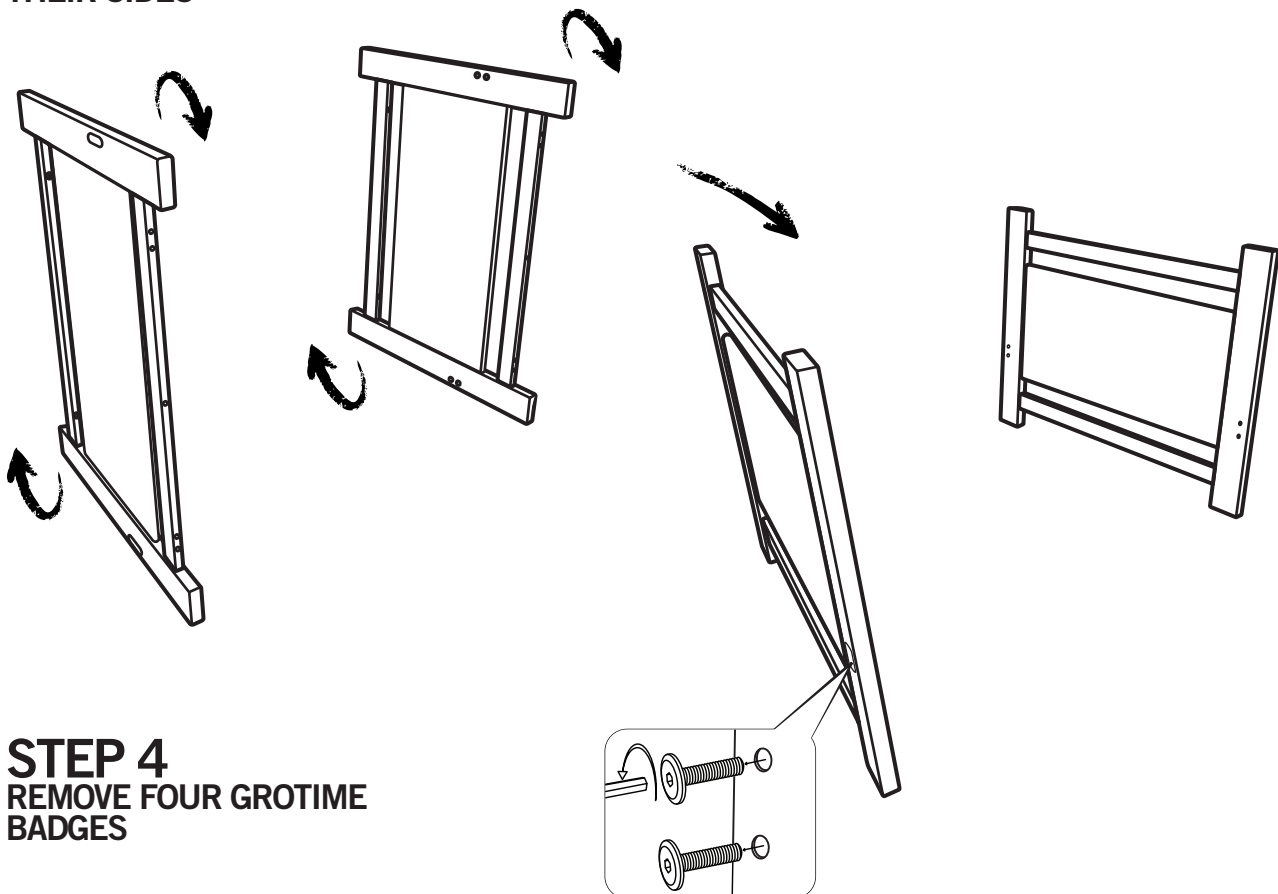
# FULL SIZE SINGLE BED CONVERSION STEP 1

a. Disassemble the cot following the assemble instructions in reverse order.

b. Remove legs from the ends



## STEP 3 ROLL OVER COT ENDS ON THEIR SIDES

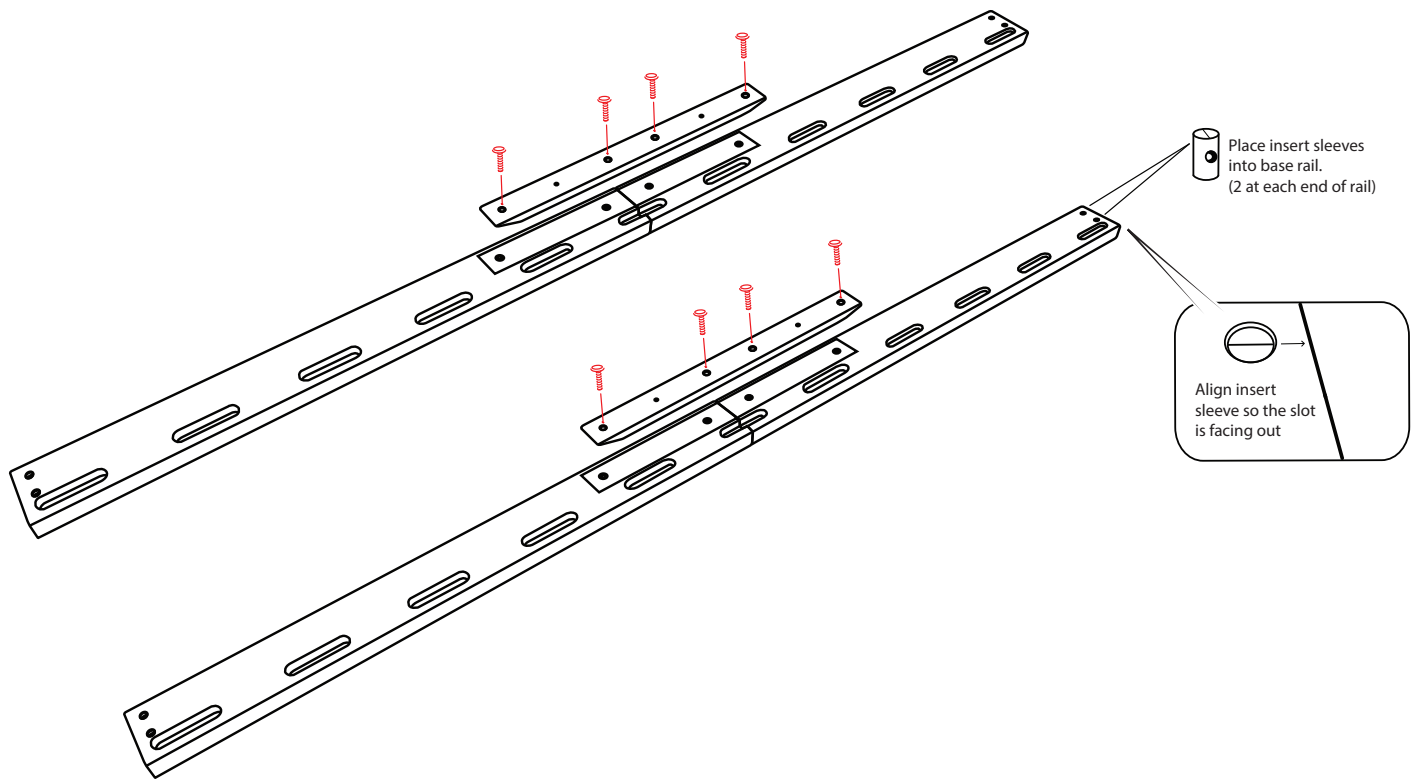
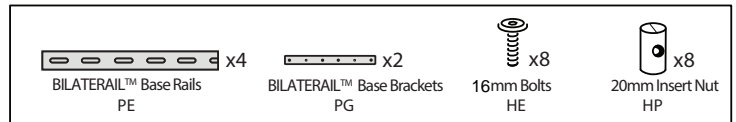


## STEP 4 REMOVE FOUR GROTIME BADGES



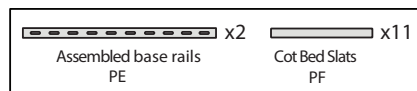
# STEP 4

## ASSEMBLE BILATERAIL™ BED RAILS Patent pending



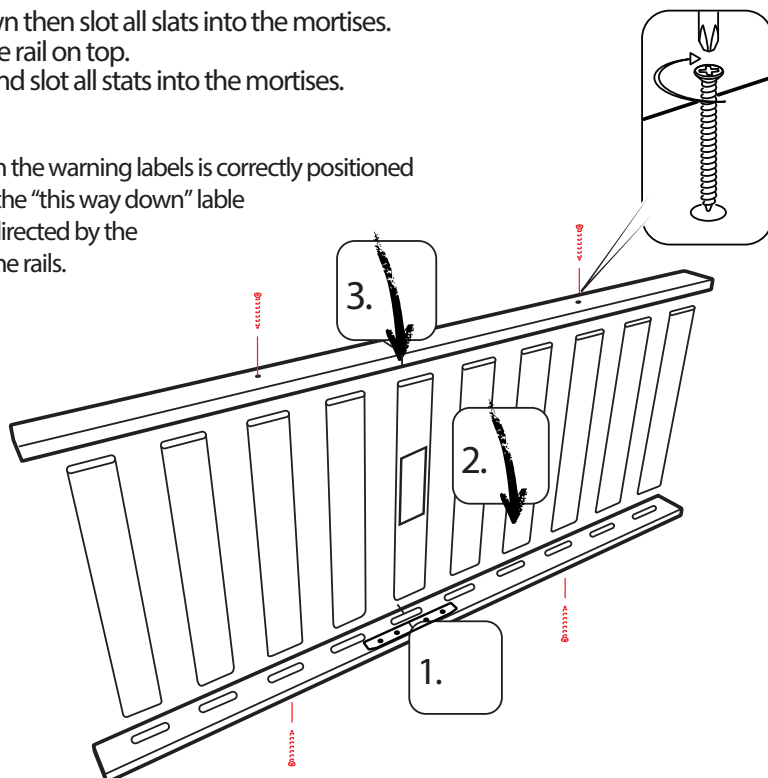
# STEP 5

## ASSEMBLE SINGLE BED BASE

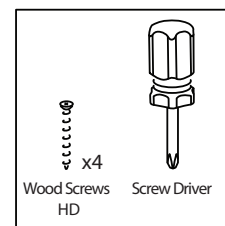


Lay one side rail down then slot all slats into the mortises.  
Place the second side rail on top.  
Working from one end slot all slats into the mortises.

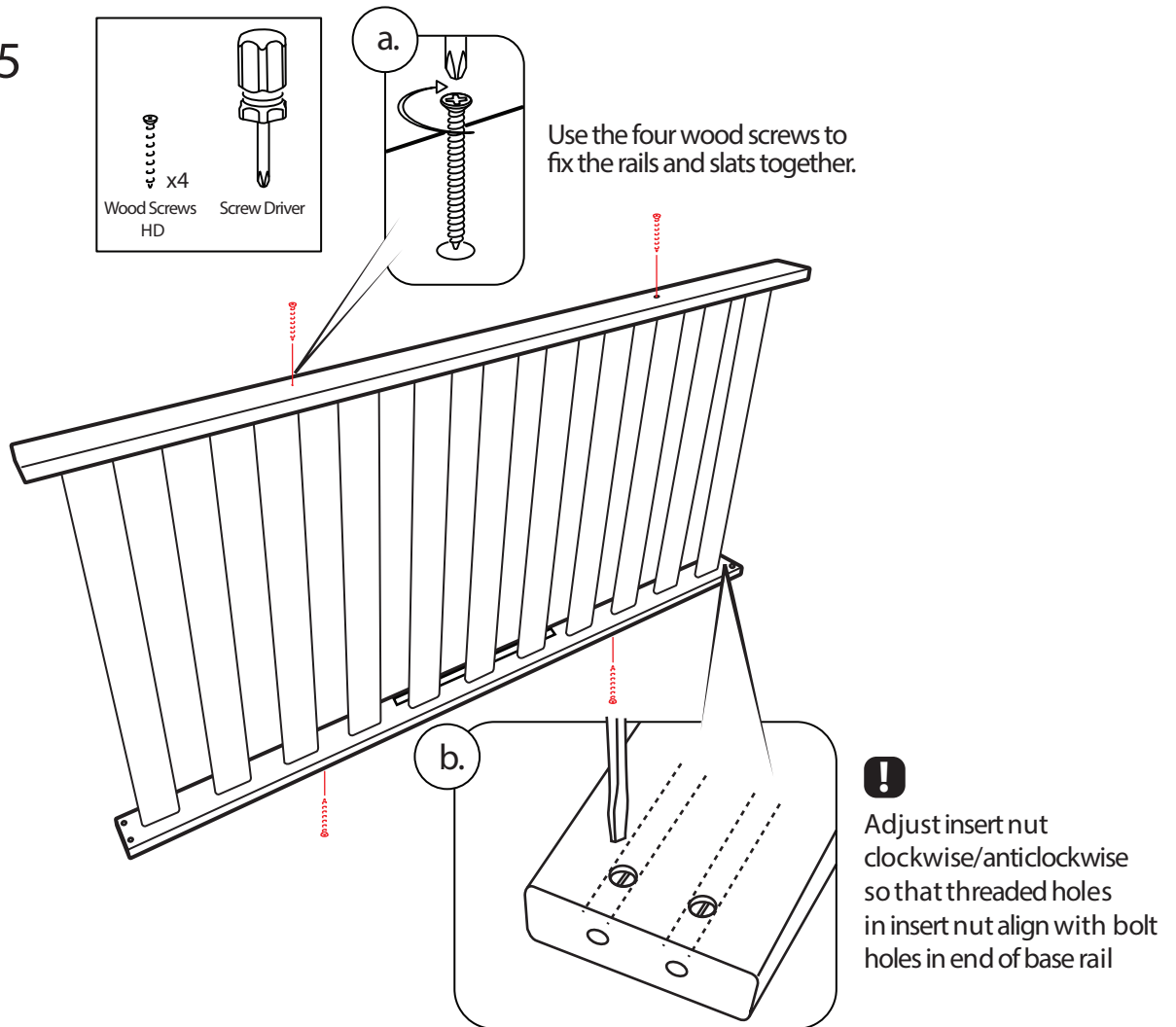
**!** Ensure the slat with the warning labels is correctly positioned in the middle and the "this way down" label is facing down as directed by the warning label on the rails.



Use the four wood screws to fix the rails and slats together.

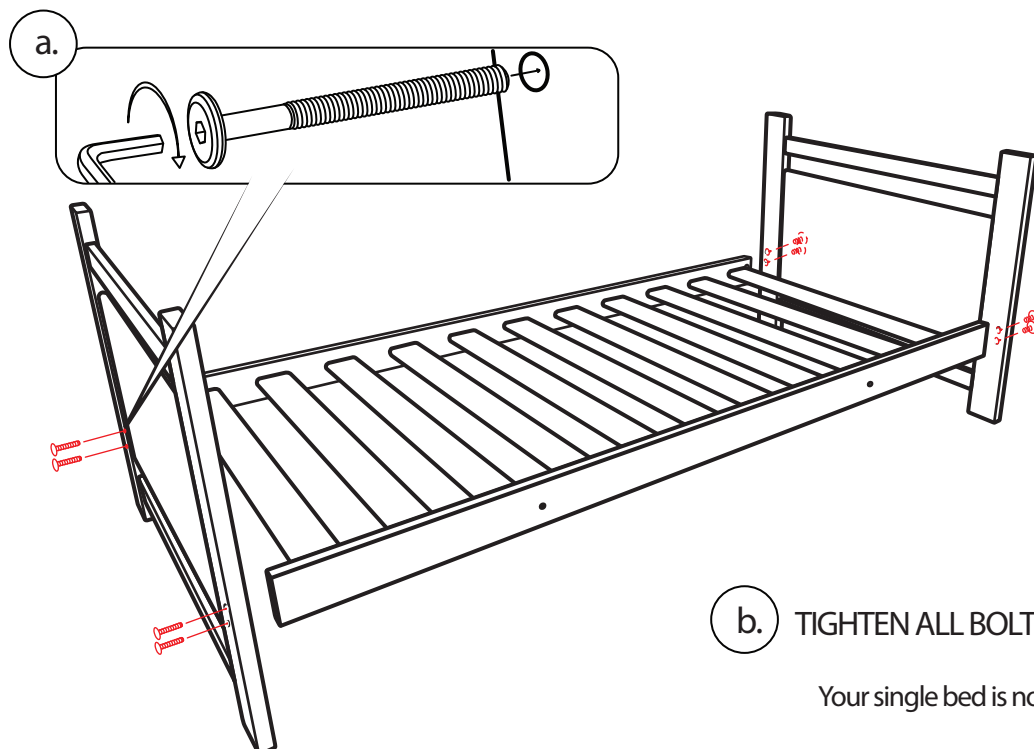
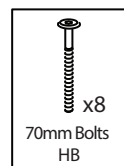


## STEP 5



## STEP 6

ASSEMBLE SINGLE BED BASE BETWEEN TWO ENDS



# MAINTENANCE

Check your cot regularly. Retighten all bolts. For after sales service contact Grotime Service Australia on 1300 799 912; or New Zealand on 0508 476 932;

## RECOMMENDED MATTRESS SIZE

This cot has been manufactured for use with a mattress which measures 690mm in width and 1300mm in length and 130mm in thickness. The width and length are specified because it is important that the gaps between the mattress and the sides and ends of the cot will not exceed 40mm. This is to minimise the risk of the child's limb becoming caught in the gap. The thickness of the mattress has been specified to ensure that the depth of the cot is greater than 500mm with the mattress base in the lowest position to minimise the risk of a child climbing or falling out of the cot.

## 5 YEAR NURSERY FURNITURE WARRANTY

1. Our goods come with guarantees that cannot be excluded under the Australian Consumer Law. You are entitled to a replacement or refund for a major failure and for compensation for any other reasonably foreseeable loss or damage. You are also entitled to have the goods repaired or replaced if the goods fail to be of acceptable quality and the failure does not amount to a major failure.
2. In order for your claim to be processed in an efficient timely manner please follow the warranty claims process as outlined below.
  - Fill in the online customer service form found on the following link <http://grotime.net/customer-service-form>
  - If you are unable for any reason to process your warranty claim using the online customer service form please call our Grocorp aftersales service department on toll free 1300 799 912 or email [sales@grocorp.net.au](mailto:sales@grocorp.net.au)
  - In order for your claim to be processed you will need to provide to Grocorp with an original proof of purchase. For example original retailer purchase receipt, bill of sale, invoice, lay-by docket, credit card receipt or similar proof of purchase.
  - Note; providing attached photographs with your claim will greatly enhance the speed in which your claim is processed.
3. This warranty does not obligate Grocorp to bear transportation costs incurred in the repair or replacement of any defective parts and excludes any superficial scratches, dents, scrapes or blemishes to paint work or timber surfaces. This Warranty does not cover faults or defects caused by:
  - Unsuitable, improper use or use not in accordance with the manufactures specifications;
  - Incorrect installation or installation not in accordance with instructions provided;
  - Normal wear and tear;
  - Inadequate or complete lack of maintenance;
  - Chemical, electrochemical or electrical influences; or
  - Harsh detergents or abrasive cleaners used on product finishes.
4. To the fullest extent permitted by law, Grocorp excludes all liability for damage or injury to any person, damage to any property, and any indirect consequential or other loss or damage.

### WARNING

**TO PREVENT FALLS, THE MATTRESS BASE OF THIS COT SHOULD BE ADJUSTED TO THE LOWEST POSITION BEFORE CHILD CAN SIT UP.**

### WARNING

**ENSURE YOUR CHOSEN LOCATION FOR THE COT IS A REASONABLE DISTANCE FROM CURTAINS, BLINDS, HEATERS, AND POWER POINTS. ALWAYS KEEP MEDICATION, STRING, ELASTIC, SMALL TOYS OR SMALL ITEMS SUCH AS MONEY OUT OF REACH FROM ANY POSITION IN THE COT. BEFORE ASSEMBLING THE COT, ENSURE YOU HAVE A CLEAR AREA ON CARPET OR A THICK BLANKET OR RUG. NEVER ASSEMBLE ON A HARD SURFACE.**

## CONTACT US

**AUSTRALIA - 10 Martini Parade Lithgow NSW 2790**

**Phone 1300 799 912 Email [sales@grocorp.net.au](mailto:sales@grocorp.net.au) Web [www.grotime.net](http://www.grotime.net)**

**NEW ZEALAND - 9 Greenacres Road North Richmond, Nelson 7050**

**Phone 0508 476 932 Email [sales@groyears.co.nz](mailto:sales@groyears.co.nz) Web [www.grotime.co.nz](http://www.grotime.co.nz)**