

Operating instructions for condenser tumble dryer T 8903 C

To avoid the risk of accidents or damage to the appliance, it is **essential** to read these instructions before it is installed and used for the first time.

en - AU, NZ

M.-Nr. 07 869 350

Caring for the environment

Disposal of the packing material

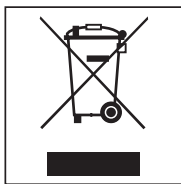
The transport and protective packing has been selected from materials which are environmentally friendly for disposal and can normally be recycled.

Ensure that any plastic wrappings, bags, etc. are disposed of safely and kept out of the reach of babies and young children. Danger of suffocation.

Rather than just throwing these materials away, please ensure they are offered for recycling.

Disposal of your old appliance or machine

Electrical and electronic appliances / machines often contain materials which, if handled or disposed of incorrectly, could be potentially hazardous to human health and to the environment. They are, however, essential for the correct functioning of your appliance or machine. Therefore, please do not dispose of your old machine or appliance with your household waste.



Please dispose of it at your local community waste collection / recycling centre and ensure that it presents no danger to children while being stored for disposal.

It should be unplugged or disconnected from the mains electricity supply by a competent person.

The plug must be rendered useless and the cable cut off directly behind the appliance or the machine to prevent misuse.

Energy saving tips

To avoid unnecessarily long drying times and high consumption of energy:

- Make sure that your laundry is thoroughly spun before drying.

The higher the spin, the greater the savings that can be made in energy and time during drying.

- Load according to the optimum amount of laundry recommended for the programme being used (see Programme chart).

Underloading is uneconomical. Overloading gives a poorer quality of drying and may cause unnecessary creasing.

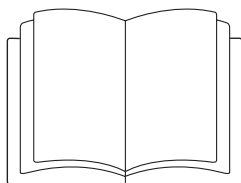
- Make sure the room in which the dryer is located is well ventilated.
- Make sure the fluff filters are clean before using the dryer.
- Check the condenser unit from time to time and clean it when necessary.

Caring for the environment	2
Warning and Safety instructions	5
Operating the tumble dryer	10
Control panel	10
Programmable functions	10
Interior drum lighting	10
Notes on laundry care	11
Care symbols	11
Tips on drying	11
How to dry correctly	12
Brief instructions	12
Changing the programme sequence	14
Once a programme has started	14
- changing the programme	14
- cancelling the programme and then selecting a different programme	14
- cancelling the programme and then removing the laundry	14
Adding or removing laundry after a programme has started	14
Programme chart	15
Cottons	15
Minimum iron	15
Delicates	16
Airing	16
Woollens handcare	16
Smoothing	16
Cleaning and care	17
Emptying the condensed water container	17
Cleaning the fluff filters	18
Cleaning them whilst dry	18
Cleaning them with water	19
Cleaning the tumble dryer	19
Cleaning the condenser unit	20
Removing the condenser unit	20
Checking the condenser unit	21
Cleaning the condenser unit	21
Replacing the condenser unit	22

Contents

Problem solving guide	23
General problems	23
Check and fault messages	26
Changing the lamp	28
After Sales service	29
Future updates (PC)	29
Optional accessories	29
Installation	30
Front view	30
Rear view	31
Installation site	31
Transporting the machine to its installation site	31
Building under a continuous worktop / in a kitchen run	31
Levelling the machine	32
Room in which the dryer is located	33
Washer-dryer stack	33
Before moving the machine again (e.g. when moving house)	33
External condensed water outlet	34
Arranging the drain hose	34
External drainage via a sink or gully	35
Installation conditions requiring a non-return valve	35
Electrical connection	37
Consumption data	38
Technical data	39
Programmable functions	40
Changing the residual moisture of the "Cottons" programme	40
Extending the drying level for the "Minimum iron" programme	41
Anti-crease setting	42
Switching the buzzer on/off	43
Changing the "Delicates" programme selection	44
Extending the cooling down time	45
Set Standby	46

Warning and Safety instructions



► It is **essential** to read these instructions.

This tumble dryer conforms to current safety requirements. Inappropriate use can, however, lead to personal injury and damage to property.

To avoid the risk of accidents and damage to the tumble dryer, please read these instructions carefully before using it for the first time. They contain important information on its safety, installation, use and maintenance.

Keep these instructions in a safe place and ensure that new users are familiar with the content. Pass them on to any future owner.

Correct application

► This tumble dryer must only be used for domestic purposes to dry items which have been washed in a water solution and which are marked on the manufacturer's care label as being suitable for tumble drying. "Dry cleaning kits" for freshening up garments in a tumble dryer are increasingly available on the market. If using, do so at your own risk, and follow the instructions provided on the packaging.

Any other usage is not supported by the manufacturer and could be dangerous. Miele cannot be held liable for damage resulting from incorrect or improper use or operation of the tumble dryer.

► This appliance is not intended for use by persons (including children) with reduced physical, sensory or mental capabilities, or lack of experience or knowledge, unless they are supervised whilst using it or have been shown how to use it correctly by a person responsible for their safety.

Safety with children

► Keep children away from the tumble dryer at all times. It is not a toy! To avoid the risk of injury do not allow them to play on or near it or to play with its controls. Supervise children whilst you are using it.

► Older children may only use it if its operation has been clearly explained to them, and they are able to use it safely, recognising the dangers of incorrect use.

Warning and Safety instructions

Technical safety

- ▶ Before setting up the tumble dryer, check it for any externally visible damage.
Do not install or use a damaged tumble dryer.
- ▶ Before connecting the tumble dryer, ensure that the connection data on the data plate (voltage and connected load) match the mains electricity supply. If in any doubt, consult a qualified electrician.
- ▶ The electrical safety of this tumble dryer can only be guaranteed when continuity is complete between it and an effective earthing system which complies with current local and national safety regulations. It is most important that this basic safety requirement is present and regularly tested, and where there is any doubt, the household wiring system should be inspected by a qualified electrician. Miele cannot be held liable for the consequences of an inadequate earthing system (e.g. electric shock).
- ▶ Do not connect the tumble dryer to the mains electricity supply by an extension lead. Extension leads do not guarantee the required safety of the tumble dryer (e.g. danger of overheating).
- ▶ Unauthorised repairs could result in unforeseen dangers for the user, for which Miele cannot accept liability. Repairs should only be undertaken by a Miele approved service technician. Ensure current is not supplied to the tumble dryer until after maintenance or repair work has been carried out.

- ▶ Faulty components must only be replaced by genuine Miele original spare parts. Only when these parts are fitted can the safety standards of the tumble dryer be guaranteed.
- ▶ If the connection cable is faulty, it must only be replaced by a Miele approved service technician to protect the user from danger.
- ▶ In the event of a fault or for cleaning purposes, the tumble dryer is only completely isolated from the electricity supply when:
 - it is switched off at the wall socket and the plug is withdrawn, or
 - it is switched off at the mains, or
 - the mains fuse is disconnected, or the screw-out fuse is removed (in countries where this is applicable).
- ▶ This tumble dryer may only be used in mobile installations such as ships if a risk assessment of the installation has been carried out by a suitably qualified engineer.
- ▶ In areas which may be subject to infestation by cockroaches or other vermin, pay particular attention to keeping the tumble dryer and its surroundings in a clean condition at all times. Any damage which may be caused by cockroaches or other vermin will not be covered by the warranty.
- ▶ Do not make any alterations to the tumble dryer, unless authorised to do so by Miele.

Warning and Safety instructions

Correct use



READ THE INSTRUCTIONS

⚠ To avoid the possible danger of fire, please read these warnings carefully.

⚠ A clogged filter is a fire hazard! The fluff filter must be cleaned after every programme.

- ▶ Remove all objects from pockets such as lighters and matches.
- ▶ To prevent the risk of fire, the following textiles must not be dried in this tumble dryer:
 - Items which have not been washed.
 - Items, such as workwear, which have not been thoroughly cleaned and which are still soiled with grease, oil or other desoposits (such as cosmetics, lotions etc).
If items have not been thoroughly cleaned, there is a danger that these might ignite when heated, even after they have been removed from the dryer at the end of the programme.

- Items that have been soiled with substances such as cooking oil, acetone, petrol, kerosene, spot removers, turpentine, waxes, wax removers and other chemicals (e.g. mops and floor cloths) should be washed in hot water with extra detergent before being dried in the tumble dryer.
- Items which have been splashed with hair lacquer, hair spray, nail polish remover or similar substances.

When washing such heavily soiled items ensure that you use sufficient detergent and select a high temperature. If in doubt, wash the items several times.

- ▶ Oil-affected items can ignite spontaneously, especially when exposed to heat sources such as in a tumble dryer.
The items become warm, causing an oxidation reaction in the oil. Oxidation creates heat.
If the heat cannot escape, the items can become hot enough to catch fire. Piling, stacking or storing oil-affected items can prevent heat from escaping and so create a fire hazard.
If it is unavoidable that fabrics contaminated with vegetable or cooking oil, or hair care products, be placed in a tumble dryer, they should first be washed in hot water with extra detergent - this will reduce, but not eliminate, the hazard.

Warning and Safety instructions

► To prevent the risk of fire, the following textiles or products must not be dried in this tumble dryer:

- Items which have been dry-cleaned (for example with a chemical treatment).
- Fabrics which contain a large proportion of rubber, foam rubber or rubber-like materials. For example, products made from latex foam rubber, shower caps, waterproof textiles, rubberised articles and items of clothing and pillows with foam rubber filling.
- Fabrics which contain padding or fillings (e.g. pillows, jackets). If these were damaged, the filling could get out with the risk of igniting in the dryer.

► In many programmes, the heating phase is followed by a cooling down phase to ensure that the items are not too hot to handle when you remove them (this also avoids the danger of the laundry self-igniting). The programme is not finished until the cooling down phase is complete.

Ensure that you always wait until the end of the programme before removing the laundry.

► **Warning:** Do not switch the tumble dryer off before the end of the drying programme. If this was done and the laundry was then removed immediately, it could give off a great amount of heat.

► Fabric conditioner and similar products must be used according to the instructions on the manufacturer's packaging.

Warning and Safety instructions

▶ The dryer must not be used without the fluff filters in place or if the fluff filters are damaged in any way.

▶ The fluff filters must be cleaned regularly.

▶ The dryer must not be used without the condenser unit in place.

▶ The fluff filters must be thoroughly dried after cleaning. Damp or wet filters could cause operational faults.

▶ Do not install the tumble dryer in a room where there is a risk of frost occurring. At temperatures around freezing point the tumble dryer may not be able to operate properly. There is a risk of damage if the condensed water is allowed to freeze in the pump, hoses and / or condensed water container.

The ambient room temperature should be between +2°C and +35°C.

▶ If the water is drained externally through the drain hose instead of being collected in the condensed water container, make sure the drain hose is securely attached if you hang it in a sink or basin to avoid the hose slipping and the water causing damage.

▶ Condensed water is not drinking water.

It can cause health problems in both people and animals.

▶ Always keep the area around the tumble dryer free of dust and fluff. Dust drawn into the tumble dryer can cause blockages in the condenser unit over time.

▶ Do not let anyone sit or lean on the door, as this can cause the tumble dryer to tip up.

▶ Always close the door after use. This way you will avoid the danger of:

- Children climbing onto or into the dryer or hiding things in it.
- Pets or other small animals climbing into it.

▶ The tumble dryer must not be hosed down.

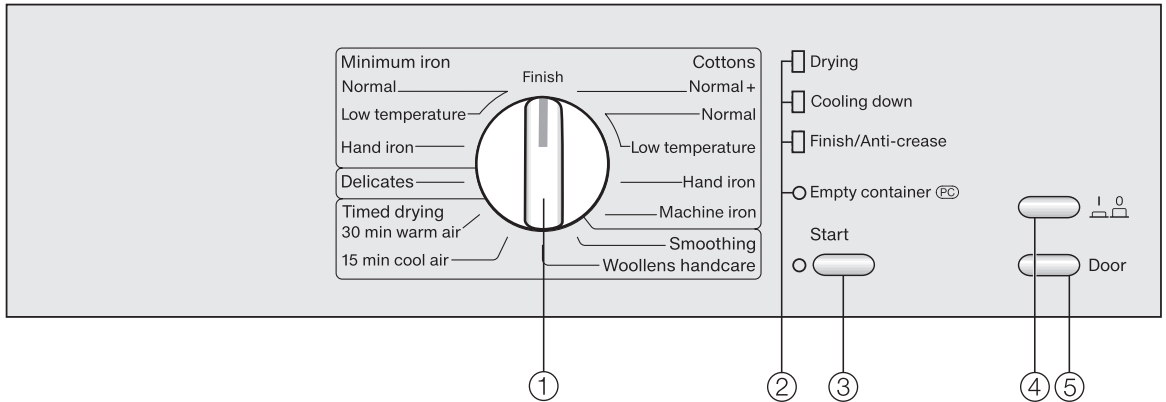
Accessories

▶ Only use genuine Miele spare parts and accessories with this appliance. If non-Miele parts are used, warranty, performance and product liability claims may be invalidated.

Miele cannot be held liable for damage caused by non-compliance with these Warning and Safety instructions.

Operating the tumble dryer

Control panel



① Programme selector

For setting the drying programme.

The programme selector can be turned clockwise or anti-clockwise.

② Programme sequence / Check lights

③ Start button

For starting a drying programme.

The indicator light flashes while a programme is being selected and then lights up constantly after the programme has started.

④ On/Off button

For switching the dryer on and off.

The *Finish/Anti-crease* indicator light lights up after switching the tumble dryer on for confirmation.

⑤ Door button

For opening the door and cancelling a programme.

Pressing this button will open the door even when the dryer is switched off at the mains.






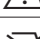
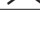
Programmable functions

The programmable functions are used to alter the machine's electronics to suit changing requirements. Programmable functions are explained at the end of these Operating instructions.

Interior drum lighting

If the dryer is switched on at the mains and the door is opened, the drum lighting will come on. It will go out a few minutes later to save energy.

Care symbols

Drying	
	Normal/higher temperature.
	Reduced temperature: Select <i>Low temperature</i> for sensitive fabrics.
	Do not tumble dry
Ironing	
	Very hot.
	Hot.
	Warm.
	Do not iron.

Tips on drying

- See the "Programme chart" for maximum recommended loads for each programme.

Overloading can cause unnecessary wear and tear to the laundry, give a disappointing drying result and cause more creasing.

- Do not tumble dry loopknit garments! Spin garments for at least 30 seconds after washing.
- Open jackets so that they can dry evenly.
- Woollen fabrics and wool blends tend to shrink and become matted if dried in a tumble dryer. These fabrics should only be dried using the *Woollens handcare* programme.
- Down-filled fabrics have linings which have a tendency to shrink, depending on the quality of the item.

These fabrics should only be dried in the *Smoothing* programme.

- Pure linen should only be machine dried if specified as suitable by the manufacturer on the care label. Otherwise the surface of the fabric may become rough.
- Loopknit garments (e.g. T-shirts, underwear) have a tendency to shrink after the first wash. Therefore: To avoid further shrinking, do not overdry these fabrics. When buying loopknit garments, it is advisable to take their shrinkage properties into account.
- Creasing in minimum iron fabrics increases with the size of the load. This applies in particular to very sensitive fabrics (e.g. shirts, blouses). Use the *Delicates* programme. If in doubt, reduce the size of the load.
- Starched laundry can be dried in the tumble dryer. To achieve the usual finish, double the amount of starch should be used.
- New dark coloured garments should be washed separately from light coloured garments. Do not dry these together with light garments as they may bleed onto them (also onto plastic components in the tumble dryer). Dark coloured fibres can also settle on light coloured garments and vice versa.

How to dry correctly


Brief instructions

The headings numbered (1, 2, 3 ...) show the operating sequence and can be used as a brief guide to using your machine.

1 Sort the laundry

Separate the washed laundry and sort it according to . . .


- . . . the drying level required,
 - . . . the type of fibre or weave,
 - . . . size,
 - . . . the moisture content after spinning.
- In this way an even drying result will be achieved.

 Make sure that objects, e.g. detergent dispensing balls, have been removed from the laundry. They could melt and cause damage to the dryer or the laundry.

- Check seams and stitching to ensure that padding and linings are intact.
- Remove all objects from pockets such as lighters and matches.
- Fasten duvet covers and pillow cases to prevent small items from being rolled up inside them.
- Fasten zips, hooks and eyes etc.
- Tie fabric belts and apron strings.
- Sew in or remove underwiring from bras.

2 Turn on the tumble dryer

The tumble dryer may be switched on after loading, saving energy as the light will not come on.

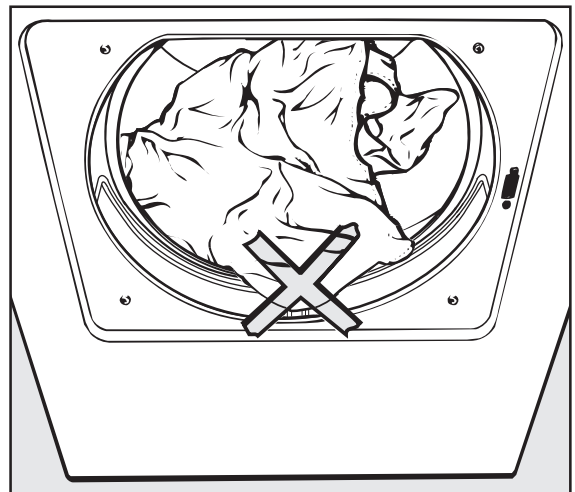
- Switch on the dryer by pressing the  button.

3 Load the tumble dryer

- Press the *Door* button to open the door.
- Load the laundry loosely into the drum.

Do not overload the drum. See the "Programme chart" for recommended loads for each programme. Overloading can cause unnecessary wear and tear to the laundry and give a disappointing drying result.

- Before closing the door, make sure the fluff filter is correctly positioned in the door.

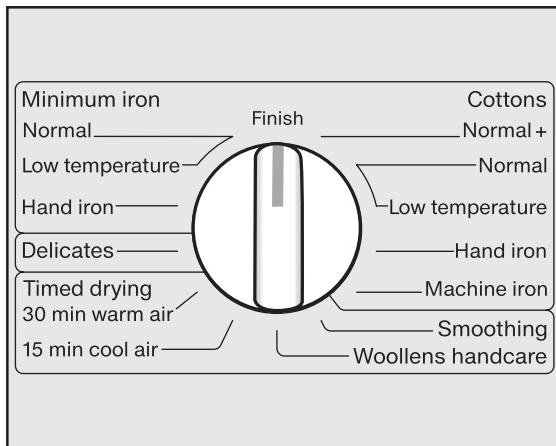


Check the laundry is right inside the drum so that it cannot get trapped or damaged when the door is shut.

- Shut the door either with a gentle swing, or lean against it and push it shut.

How to dry correctly

4 Select a programme



- Turn the programme selector to the required programme.

Tip: You can individually modify the residual moisture or programme selection for some programmes (see "Programmable functions").

5 Start the programme

- Press the *Start* button.

The indicator light for the *Start* button will go from flashing to constantly lighting up.

The heating phase begins.

Before the end of a programme

The heating phase is followed by a cooling down phase (*Cool air* lights up). The programme is not finished until the cooling down phase has been completed.

There is no cooling down phase with: *Woollens handcare*, *Smoothing*.

6 Remove the laundry when the programme has finished

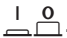
The *Finish/Anti-crease* indicator light comes on.

After the programme has finished, the drum will continue to rotate in a certain rhythm, depending on the selected programme. This "Anti-crease rhythm" helps to prevent creasing if the laundry is not removed immediately after the end of a programme (not with *Woollens handcare*).

Duration: changeable, see "Programmable functions".

- Press the *Door* button.
- Open the door.
- Remove the laundry.

Check that all items have been removed from the drum. If items are left in the dryer, they could be damaged by overdrying when the dryer is next used.

- Switch the dryer off by pressing the *On/Off* button .
- Clean the fluff filters.
- Close the door.
- Empty the condensed water container (unless the dryer has been connected for external drainage).
- Check the condenser unit intermittently and clean if necessary (see "Cleaning and care").

Using the *Cottons Normal +* programme is recommended for a mixed cotton load and is the programme used in energy consumption tests to AS/NZS 2442 (Refer to www.energyrating.gov.au website for consumption data).

Changing the programme sequence

Once a programme has started

- changing the programme

You cannot change to another programme once a programme has started (this prevents unintentional alterations).

Once a selection has been made, the *Finish/Anti-crease* indicator light will flash.

You will need to cancel the current programme before you can select a new one.

- cancelling the programme and then selecting a different programme


- Turn the programme selector to *Finish*.
- Press the *Door* button.
- Close the door.
- Select and start a new programme.

- cancelling the programme and then removing the laundry

- Refer to the following: "Adding or removing laundry after a programme has started".
- Switch the dryer off after closing the door.

Adding or removing laundry after a programme has started

- Press the *Door* button.
- Open the door.

 **Danger of burning:**
Do not touch the back of the drum when adding or removing items. The drum and the items can get very hot.

- Add or remove items as required.
- Close the door.
- Press the *Start* button.

Programme chart

Cottons		Max. load: 7 kg*
Normal+, Normal		
Fabric type	Single and multi-layered cotton fabrics such as towelling, jerseywear, T-shirts, underwear.	
Normal Low temperature		
Fabric type	All fabrics with the ☺ symbol on the care label for the <i>Cottons</i> programme.	
Note	Delicate fabrics are dried at a low temperature in this programme.	
Hand iron, Machine iron		
Fabric type	Cotton and linen fabrics. For example: table linen, bed linen, starched laundry.	
Note	To prevent laundry from drying out, it should be rolled up until you are ready for ironing.	
Minimum iron		Max. load: 3.5 kg*
Normal, Hand iron		
Fabric type	Minimum iron items made of cotton, synthetic or mixed fibres. For example: dresses, trousers, skirts or table cloths.	
Note	Depending on fabric type and amount of laundry, items are dried with very little creasing with the <i>Hand iron</i> drying level.	
Normal Low temperature		
Fabric type	All fabrics with the ☺ symbol on the care label for the <i>Minimum iron</i> programme.	
Note	Delicate fabrics are dried at a low temperature in this programme.	

* Weight of dry laundry

Programme chart

Delicates		Max. load: 2.5 kg*
Fabric type	Delicate items made of synthetic fibres, easy care cotton, blended fabrics or rayon, e.g. shirts, blouses and evening wear with sequins and beading.	
Notes	<ul style="list-style-type: none"> – For fabrics with the ☉ symbol on the care label. – Reduce the load for delicate fabrics to reduce creasing even more. 	
Airing		Max. load: 7 kg*
Warm air		
Fabric type	<ul style="list-style-type: none"> – "Voluminous" and multi-layered fabrics whose layers have different drying characteristics: e.g. jackets, pillows. – For drying individual items, e.g. bath towels, swimwear, tea towels and small loads. 	
Cool air		
Fabric type	Any item which only needs airing.	
Woollens handcare		Max. load: 2 kg*
Fabric type	Woollen fabrics.	
Notes	<ul style="list-style-type: none"> – This programme only fluffs up woollen garments. They are not dried completely by this programme. – Remove garments as soon as the programme has finished and leave to finish drying at room temperature. 	
Smoothing		Max. load: 3 kg*
Fabric type	<ul style="list-style-type: none"> – Cotton and linen fabrics. – Minimum iron items made of cotton, synthetic or mixed fibres. For example: trousers, anoraks, shirts. 	
Notes	<ul style="list-style-type: none"> – Smooths out creasing caused during the spin cycle in the washing machine. – Fabrics are not completely dried by this programme. – Remove garments as soon as the programme has finished so that they are easy to iron. 	

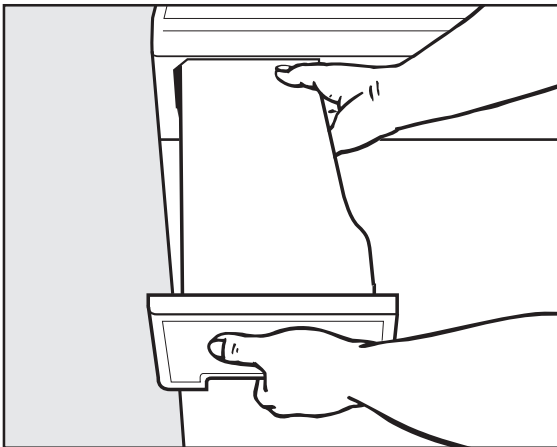
* Weight of dry laundry

Emptying the condensed water container

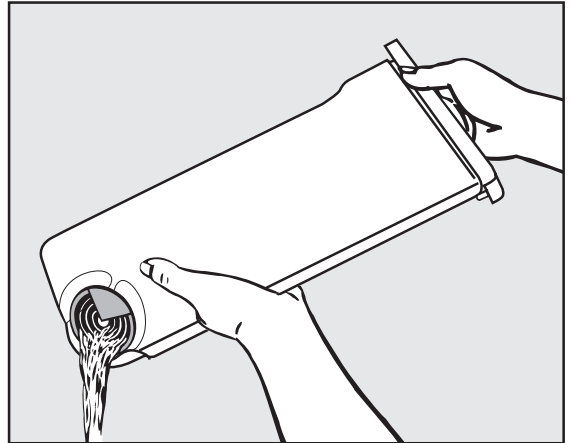
Condensate is collected in the condensed water container.

Empty the condensed water container after every drying programme.


The *Empty container* indicator light will come on if the maximum level of the condensed water container is reached. The indicator light will go out when the door is opened and closed again.



- Pull out the container.
- Hold it at the front and towards the back and keep it in a horizontal position when carrying it.



- Empty the container.
- Slide the container back into the dryer.

 Condensed water should not be consumed. It could lead to health problems for people and animals.

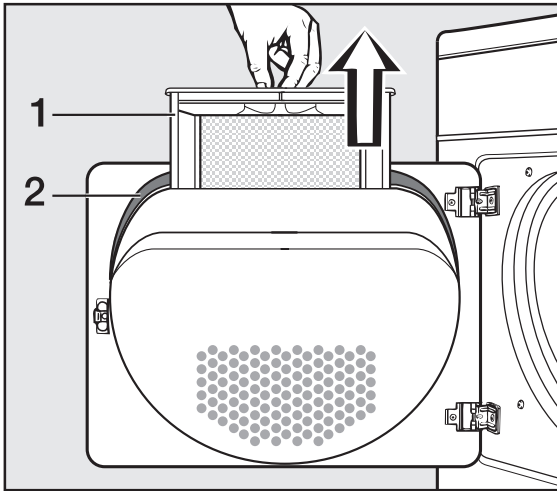
Condensed water can be put to household use (e.g. used in a steam iron or humidifier). To ensure that any residual particles of fluff in the condensed water are removed before use, pass it through a fine sieve or paper filter first.

Cleaning and care

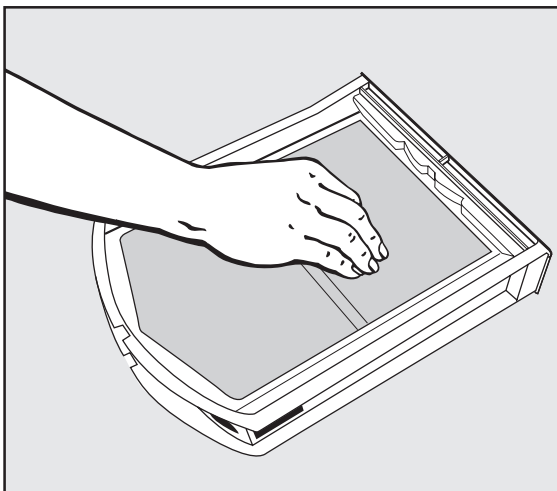
Cleaning the fluff filters

The fluff which is created by the drying process is collected by the fluff filters in the door and the door opening. Clean the filters after **each** drying programme.

Cleaning them whilst dry

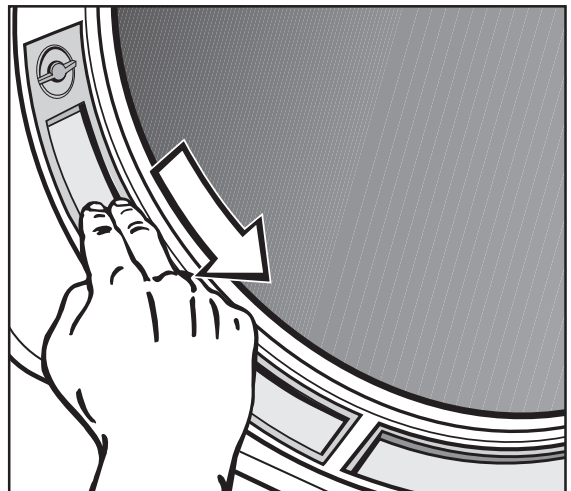


- Open the door and pull the fluff filter (1) out of the door as illustrated.



- Use your fingers to remove the fluff from the surface of the filter.

- Remove any fluff from the hollow part of the door opening. You could also use a cleaning brush which is available as an optional extra from your Miele Chartered Agent or from Miele, or use a vacuum cleaner.
- Once clean, push the filter back into the door holder until it clicks into position. Ensure it is facing the correct way.
- Also clean the door seal (2) with a damp cloth.



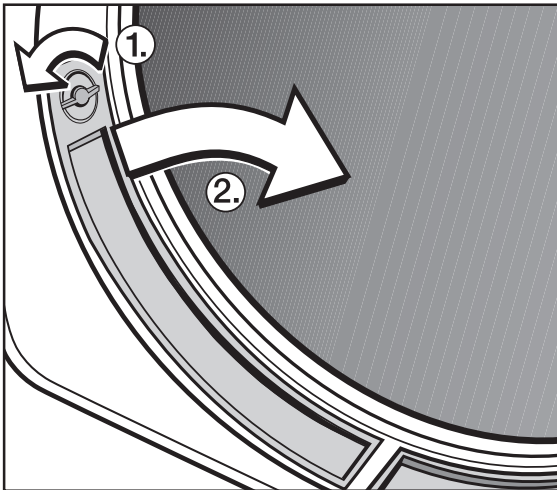
- Use your fingers to remove the fluff from the two fluff filters in the door opening.
- Close the door.

Cleaning them with water


If there is a great deal of compacted fluff on any of the filters, they can be removed and cleaned under hot running water.

- Open the door and pull the fluff filter out of the door as described previously.

The two filters in the door opening can also be removed if you need to clean them with water.



- Turn dial ① and pull the filter by the dial out of the door opening as shown ②. Do the same on the other side.
- Rinse all the filters under hot, running water.
- Then shake the filters until no more water droplets are visible.
- Dry the filters thoroughly with care.
- Clean the area underneath these filters, e.g. with a vacuum cleaner.

 Do not replace them if they are damp or wet. Damp or wet filters could cause operational faults.

- Push the large filter back into the door holder until it clicks into position. Ensure it is facing the correct way.
- Replace the filters in the door opening by first inserting them at the bottom and then pressing them into place at the top.
- Lock both dials.

Cleaning the tumble dryer

Disconnect the machine from the mains electricity supply.

- Clean the housing and control panel with a slightly damp cloth and a mild detergent or soapy water.
- The drum and other stainless steel parts can be cleaned with a suitable proprietary stainless steel cleaner following the manufacturer's instructions.

Do not use solvents, abrasive cleaners, glass cleaners or all-purpose cleaners. These could damage plastic surfaces and other parts. The machine must never be hosed down.

- Dry all parts with a soft cloth.

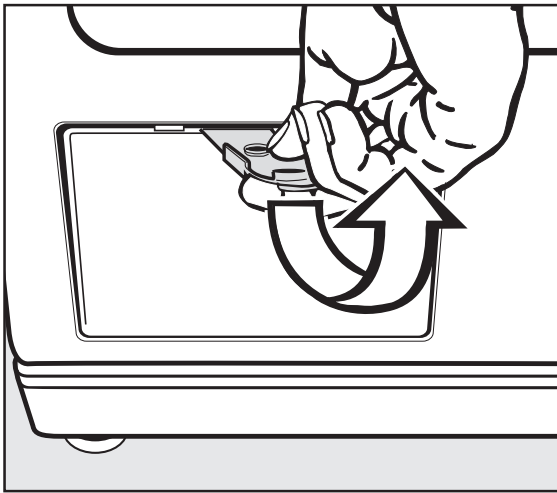
Cleaning and care

Cleaning the condenser unit

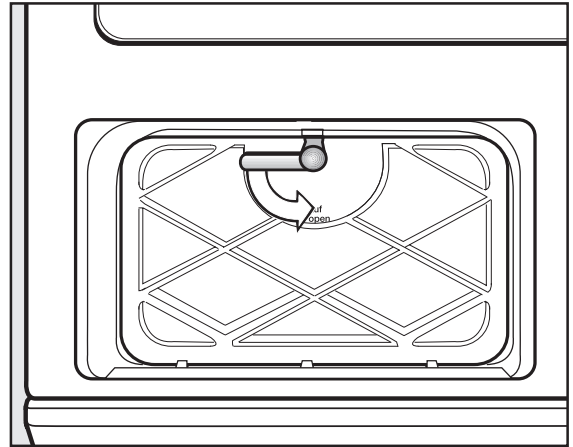
Detergent residue, hair and fine fluff from the dryer can get through the fluff filters and block the condenser unit.

Check the condenser unit at least twice a year. If the dryer is used frequently, then clean the condenser unit after approx. 100 drying cycles.

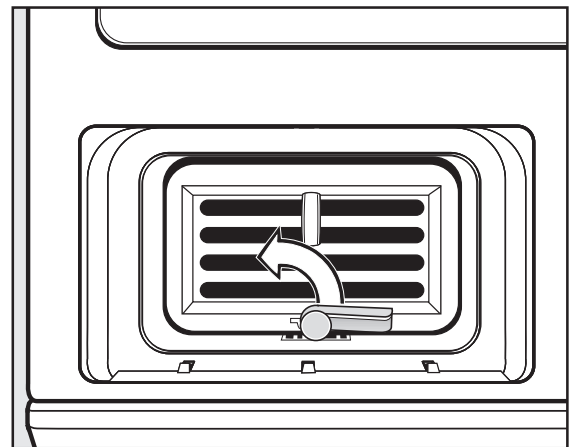
Removing the condenser unit



- Open the service panel. The hooks at the side will prevent the panel from falling off.
- Now remove the panel in an upwards direction
- and place it to one side.

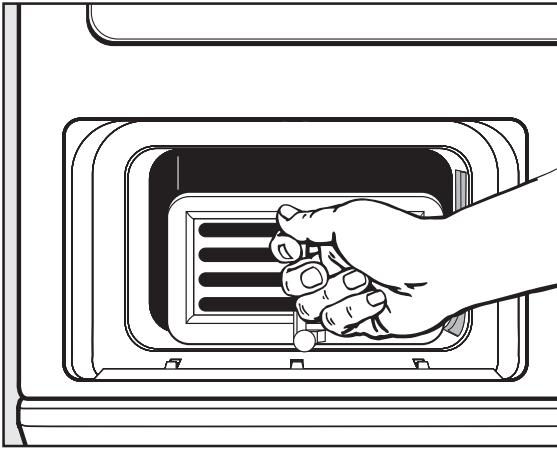


- Turn the lever on the inner cover downwards to the vertical position.
- Pull the cover forwards
- and remove it by pulling it diagonally upwards.



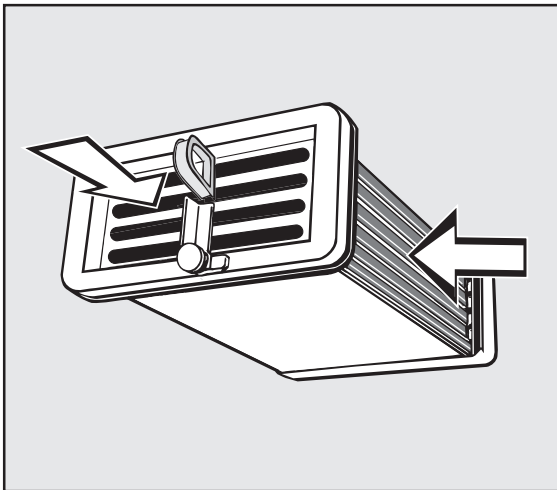
- Turn the lever on the condenser unit to the vertical position.

Cleaning and care



- Pull the condenser unit out of its housing by the handle.

Checking the condenser unit



- Hold the condenser unit up to the light **as shown**.
- Check to see if there is any fluff inside it.
The arrows in the illustration above indicate where to look.

If you cannot see any fluff:

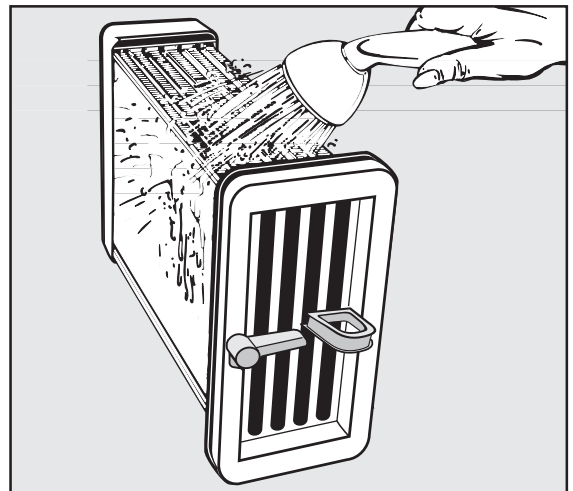
- Replace the condenser unit (see following page).

If you can see some fluff:

- Clean the condenser unit as described below.

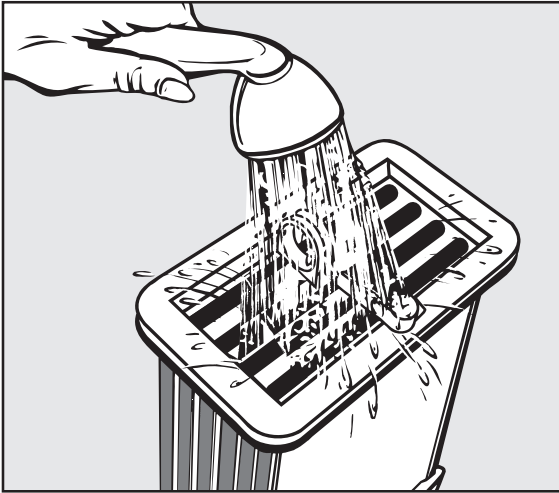
Cleaning the condenser unit

- When rinsing the condenser unit, make sure you position it as shown in the next two illustrations.



- Use a shower head or similar to rinse the unit out **as shown**.

Cleaning and care



- Then flush the unit through from the front.
- Check the condenser unit again for any visible fluff and if necessary flush it through again until it has all gone.
- Remove any soiling still visible inside the housing unit.
- Also make sure the rubber seals are clean.
The rubber seals must not be removed and must be free of kinks.
- Shake any excess water out of the unit until no more water droplets are visible.

Replacing the condenser unit

- With the handle facing upwards, push the condenser unit back into position in its housing.
- Turn the lever down to the horizontal position, making sure that the hook on the lever clicks into the groove.


When replacing the inner cover after cleaning, ensure that the rubber seal fits correctly into the groove.

- Replace the cover making sure the hooks locate correctly. Hold it at an angle and push it gently downwards.
- Then turn the lever upwards into the horizontal position to lock the cover.
- Replace the service panel and press the upper edge until it clicks into position.

It is important to ensure that both the condenser unit and the cover are correctly positioned and locked. Otherwise water may leak from the machine.

Problem solving guide

With the help of the following notes, minor faults in the performance of the machine, some of which may result from incorrect operation, can be put right without contacting Miele. A call-out charge will be applied for unnecessary service visits where the problem could have been rectified as described in these Operating instructions.

 Repair work to electrical appliances should only be carried out by a suitably qualified person in strict accordance with current local and national safety regulations. Repairs and other work by unqualified persons could be dangerous. The manufacturer cannot be held liable for unauthorised work.

General problems

Problem	Possible cause	Remedy
The tumble dryer fails to start when switched on.	No obvious cause.	<ul style="list-style-type: none">– Have you followed the switch-on procedure correctly (see “How to dry correctly”)?– Is the plug correctly inserted in the socket and switched on?– Is the door closed properly?– Has the fuse or circuit breaker tripped?
Items made of synthetic fibres are charged with static electricity after drying.	Synthetic fibres tend to attract static charge.	Static charge can be reduced by adding a fabric conditioner to the final rinse in the washing machine or a fabric conditioner sheet to the load in the dryer.

Problem solving guide

Problem	Possible cause	Remedy
There is a build-up of fluff.	Fluff is principally the result of friction when garments are being worn and to some extent when they are being washed. Machine drying hardly causes any fluff to form and has no appreciable effect on the lifetime of the fabric.	Fluff is collected by the fluff filters and can be easily removed (see "Cleaning and Care").
The laundry is not sufficiently dry.	The load consisted of different fabrics.	<ul style="list-style-type: none"> – Finish drying using the Warm air programme. – Select a suitable programme* next time you tumble dry.
Water leaks from the machine after the condenser unit has been cleaned.	<ul style="list-style-type: none"> – The inner cover of the condenser unit has not been locked properly and/or the condenser unit has not been positioned correctly. – There is a build-up of fluff. 	<ul style="list-style-type: none"> – Ensure that the condenser unit is positioned correctly and lock the inner cover. – Check the rubber seals. – Use a cloth to remove any visible fluff from the inside of the condenser unit housing.
The interior drum lighting is not switched on.	The lighting switches off automatically (to save energy).	Switch the dryer off and then on again.
	The lamp needs changing.	You can change the lamp as described in "Changing the lamp" at the end of this section.

* You can alter the drying levels for some programmes: see "Settings menu".

Problem solving guide

Problem	Possible cause	Remedy
The drying process goes on too long or even switches off.	The dryer is not working efficiently or economically*. The fluff filters may be clogged with fluff, hair or detergent residues.	<ul style="list-style-type: none"> – Remove any fluff. – Do not replace fluff filters if they are damp or wet. Damp or wet filters could cause operational faults. – If this cleaning is not satisfactory, check the following points.
	Ventilation to and from the dryer may be insufficient (e.g. because it is installed in a small room). This has caused the temperature in the room to rise sharply.	<ul style="list-style-type: none"> – Open a door or window while the machine is in operation for increased air flow.
	The vents below the door are covered.	<ul style="list-style-type: none"> – Remove any obstructions.
	Detergent residue, hair and fine fluff can block the condenser unit.	<ul style="list-style-type: none"> – The condenser unit should be checked and cleaned from time to time (See "Cleaning and care").
	The laundry has not been spun sufficiently.	<ul style="list-style-type: none"> – Make sure that your laundry is thoroughly spun at the appropriate spin speed in the washing machine.
	The tumble dryer has been overloaded.	<ul style="list-style-type: none"> – Do not exceed the maximum load for the programme selected.
	Metallic components, e.g. zippers have prevented the dryer from registering the correct moisture level.	<ul style="list-style-type: none"> – Open the zippers next time. – If the problem occurs again, dry garments with long zippers using the Warm air programme (timed drying).
<p>* Before remedying a problem:</p> <ul style="list-style-type: none"> – Open and close the door. – Switch the tumble dryer on and off. 		

Problem solving guide

Check and fault messages		
Problem	Possible cause	Remedy
The <i>Empty out container</i> indicator light comes on.	The condensed water container is full or there is a kink in the drain hose.	<ul style="list-style-type: none"> – Empty out the condensed water container. – Check the drain hose. – The indicator light will go out when the door is opened and closed again.
The <i>Finish/Anti-crease</i> indicator light flashes while drying.	The programme selector was turned after the start of the programme. However, the programme finishes without problems.	Set the originally selected programme: The indicator light will go out.
Cancel the programme. <i>Cool air</i> flashes. The buzzer sounds.	The dryer is not working efficiently or economically.	See previous page: The drying process goes on too long (...).
Cancel the programme. The <i>Finish/Anti-crease</i> indicator light comes on. The buzzer sounds.	This is not a fault. The electronic unit recognised that there was no laundry in the drum and cancelled the programme. Drying individual garments or items which are already dry can also cause the programme to be cancelled.	Use the Warm air programme (timed drying) to dry individual items. <ul style="list-style-type: none"> – Open and close the door.
Cancel the programme. <i>Cool air</i> or <i>Finish/Anti-crease</i> flashes. The buzzer sounds.	There is no immediate cause.	<ul style="list-style-type: none"> – Switch the dryer off and then on again. – Start a programme. If the programme stops again and Cooling down or Finish flashes again, there is a fault. Contact Miele.

Problem solving guide

Problem	Possible cause	Remedy
Some programmes won't start anymore. <i>Start</i> doesn't even flash.	There is no immediate cause.	<ul style="list-style-type: none">– Switch the dryer off and then on again.– Select the programme that cannot be started.– If you still can't start the programme, there is a fault. Contact Miele.– If not all programmes are blocked, select a programme which can be started.
The indicator light for the <i>Start</i> button flashes/doesn't flash.	The flashing indicates that a programme can be started.	After the programme has started, the flashing will change to a constant light.
The <i>Start</i> button light flashes slowly.	The dryer is on standby. This is a normal function and does not indicate a fault.	See "Programmable functions".

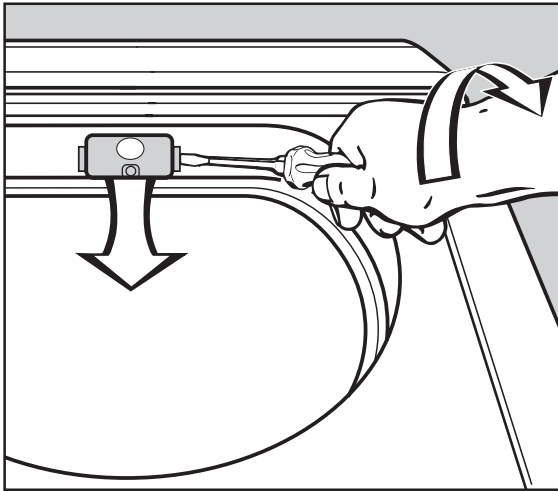
Problem solving guide

Changing the lamp

Disconnect the machine from the mains electricity supply.

- Open the door.

You will find the interior lamp cover at the top of the drum aperture.




- Insert a suitable tool, such as a wide bladed screwdriver, under the side edge of the lamp cover as illustrated.
- Apply a little pressure and whilst doing so turn your wrist in the direction of the arrow to open the cover.

The cover will open downwards.

The temperature resistant lamp should only be ordered from your Miele Chartered Agent or from Miele.

The lamp specification and maximum wattage is stated on the data plate and on the lamp cover.

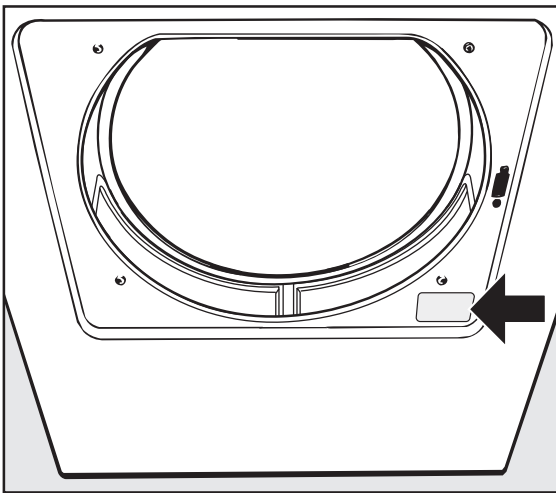
- Replace the lamp.
- To close the cover, push it upwards and press it on the left and right until you hear it click into position.

 Ensure that it is fitted into position securely, as any moisture could cause a short circuit.

In the event of any faults which you cannot remedy yourself, please contact

- Your Miele Chartered Agent or
- Miele (see back cover for address).

When contacting Miele, please quote the model and serial numbers both of which are located on the data plate situated on the right-hand side below the drum aperture.



Future updates (PC)

The indicator or check light marked **PC** on the fascia panel is the interface used by the Miele service technicians during service work for testing purposes and for updating the machine's programme data.

Optional accessories

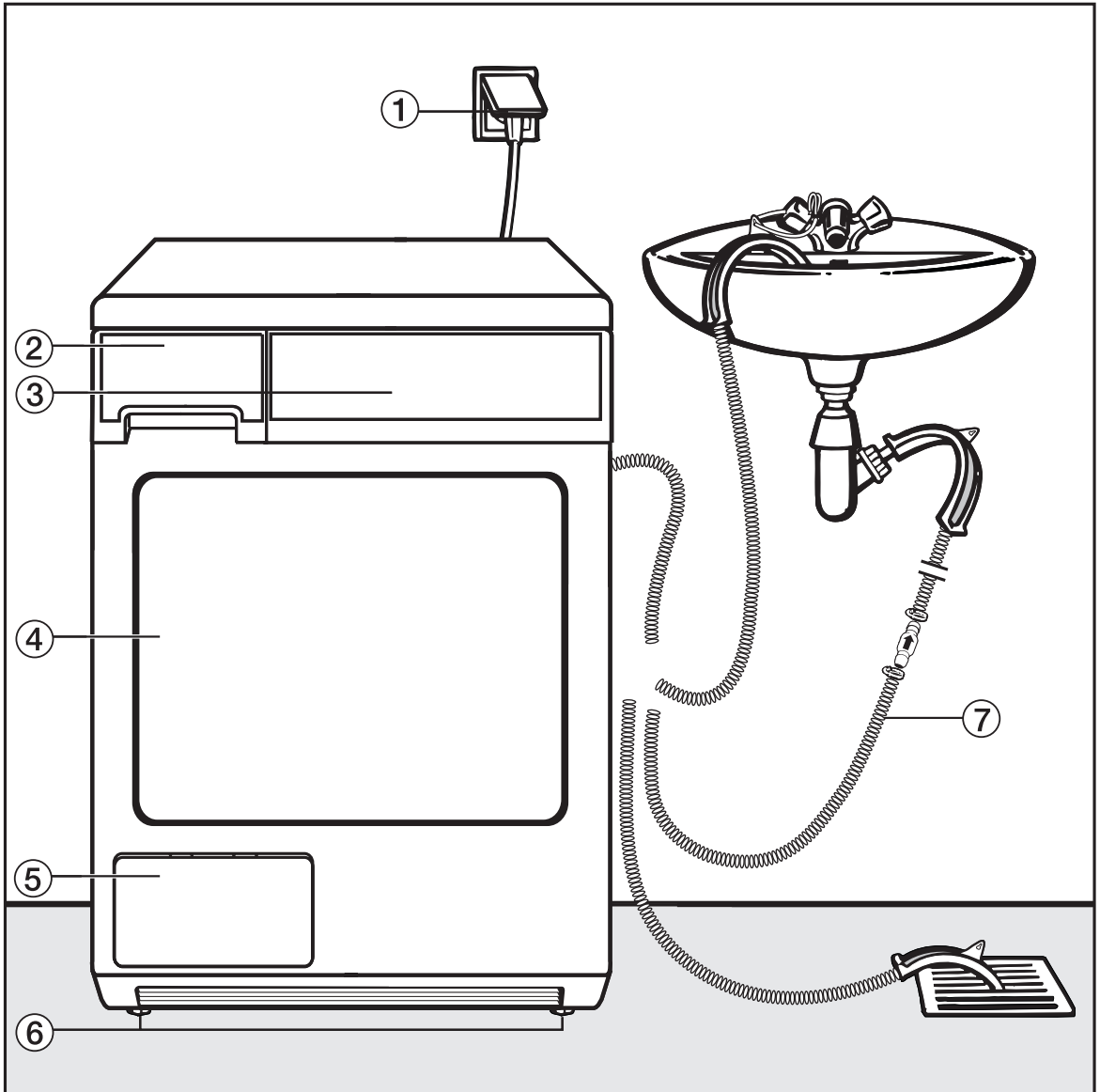
Optional accessories for these dryers are available from your Miele Chartered Agent or from Miele.

Please note that telephone calls may be monitored and recorded to improve our service.

Note: A call-out charge will be applied for unnecessary service visits where the problem could have been rectified as described in this instruction manual.

Installation

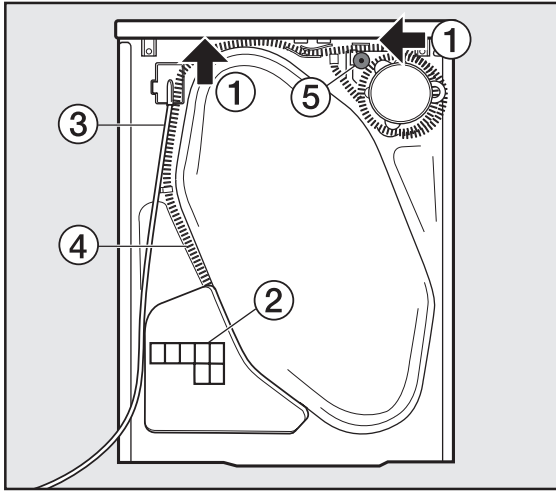
Front view



- ① Supply cable for electrical connection
- ② Condensed water container
- ③ Control panel
- ④ Door

- ⑤ Service panel for condenser unit
- ⑥ Four height-adjustable screw feet
- ⑦ External drainage options (e.g. via wash basin, wash basin drain outlet, or gully).

Rear view



- ① Protruding lid for holding when moving the machine (see arrows)
- ② Air inlet vent for cooling the condenser unit
- ③ Mains connection cable
- ④ External drainage of the condensed water
- ⑤ Accessories for connection to a sink drain outlet

Installation site

⚠ The appliance must not be installed behind a lockable door, a sliding door or a door with a hinge on the opposite side to that of the tumble dryer, in such a way that a full opening of the tumble dryer door is restricted.

Transporting the machine to its installation site

When moving the machine, you can hold it by the lid where it protrudes to the rear of the dryer. To manoeuvre the dryer out of its packing case to its installation site, you will also need to hold it by the front feet.

Building under a continuous worktop / in a kitchen run

⚠ A **building-under kit*** with a coverplate to replace the machine lid is required. It must be fitted by a suitably qualified person to ensure electrical safety.

N.B. If you wish to push your machine under a worktop and there is space to do this **without removing the lid**, the building under kit is not necessary. Otherwise the building under kit is essential.

- The building-under kit is supplied with its own installation instructions.
- N.B. When built under, drying times may be longer.
- The electrical socket must be located in an accessible position near the machine.

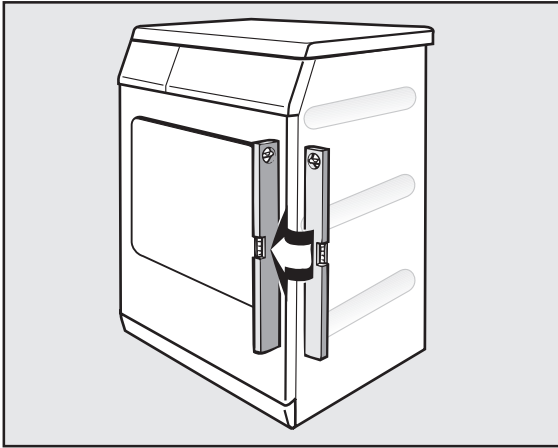
With niche heights of:

- 830-840 mm, longer screw feet* are required.
- 870-885 / 915-930 mm, one or two raising kits* are required.

* accessory available to order

Installation

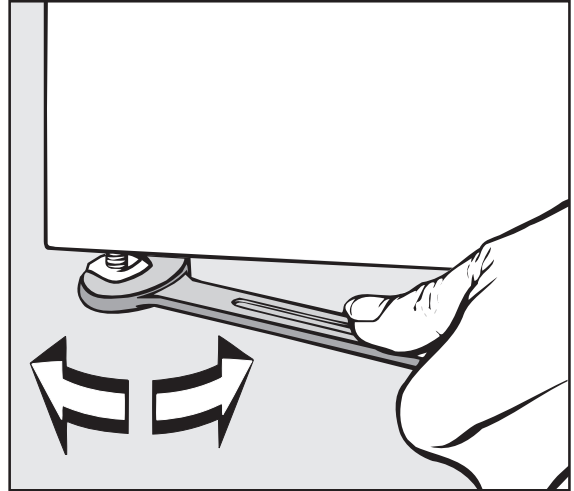
Replacing the lid




If the lid has been removed in order to fit a coverplate, ensure that, if the lid is ever replaced, it fits securely into the rear holders. Otherwise, it is not properly secure for transport.


Levelling the machine

The machine must be perfectly level to ensure safe and proper operation.



- The screw feet can be adjusted to compensate for any unevenness in the floor.

 The air inlet and outlet vents on the front of the machine must not be covered as this would prevent sufficient ventilation for cooling the condenser unit.


 The gap between the base of the dryer and the floor must not be minimised by a plinth or thick-piled carpet as this will prevent a sufficient intake of cold air.

Room in which the dryer is located

Air taken in for use in the drying process will be warm when it is expelled from the front of the dryer. This expelled air heats up the air in the room. It is therefore very important to ensure that the room is adequately ventilated, particularly if the dryer is located in a small room. Otherwise running times and energy consumption could be increased.

Washer-dryer stack

The tumble dryer can also be combined with a Miele washing machine in a washer-dryer stack. The appropriate "WTV" stacking kit (available to order) to match your dryer is required.

 Stacking kits must only be installed by a suitably qualified fitter.

Before moving the machine again (e.g. when moving house)

After each use a small quantity of condensed water will collect in the area around the pump. This water can run out if the machine is tipped up when it is being moved. It is a good idea to run the *Cool air* programme for approximately 1 minute before moving the machine. Any remaining condensed water will then be fed into the condensed water container or out through the drain hose.


Installation

External condensed water outlet

General notes

When drying is in progress, condensed water is pumped into the condensed water container through the drain hose at the back of the dryer. The condensed water can also be drained off directly if the machine is installed near a sink, drain outlet etc. so that the condensed water container does not have to be emptied.


Drain hose length 1.50 m
Maximum delivery head 1.50 m
Maximum drain hose length 4.00 m

 If the on-site water drainage system is not fitted with a non-return valve or an appropriate air gap, one must be fitted to prevent the risk of back-flow (See "Installation conditions requiring a non-return valve").

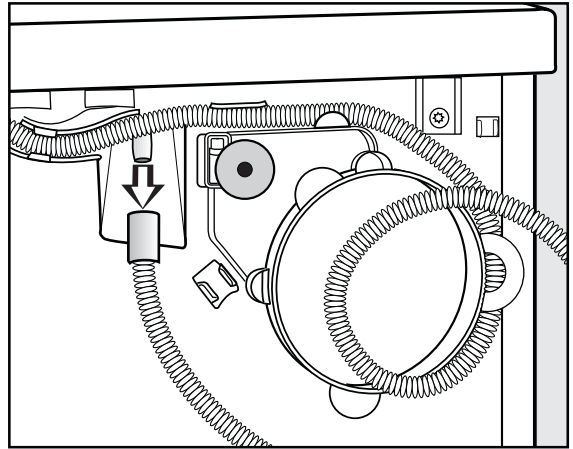
The following optional accessories are available:

- an extension hose
- a non-return valve kit for connection to an external condensed water outlet (includes an extension hose).
Maximum delivery head with non-return valve fitted: 1.00 m

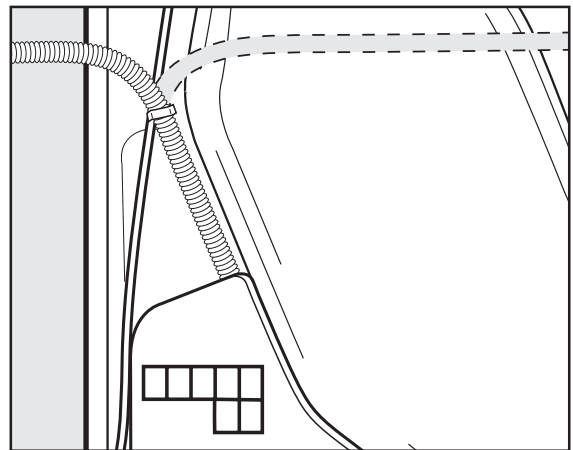
Arranging the drain hose

 Do not pull on the drain hose and do not stretch it or allow it to become kinked as it could get damaged.

- There will be a small amount of residual water in the drain hose. Have a container ready to collect this.



- Pull the hose off its connection (see arrow).
- Allow any residual water to run into the container.
- Unwind the hose and pull it carefully out of the holders.




- Position the hose to the right or left-hand side as necessary.

Leave the hose in the middle holder to prevent it from becoming kinked inadvertently.


External drainage via a sink or gully

- See "Front view" illustration.

 If you want to drain the water off into a sink, you will need to secure the hose carefully, e.g. by tying it to a tap to make sure it cannot slip during use. Otherwise there is a risk of overflowing water which could cause damage.

- Use the bow-shaped guide to prevent the drain hose from becoming kinked.

Installation conditions requiring a non-return valve

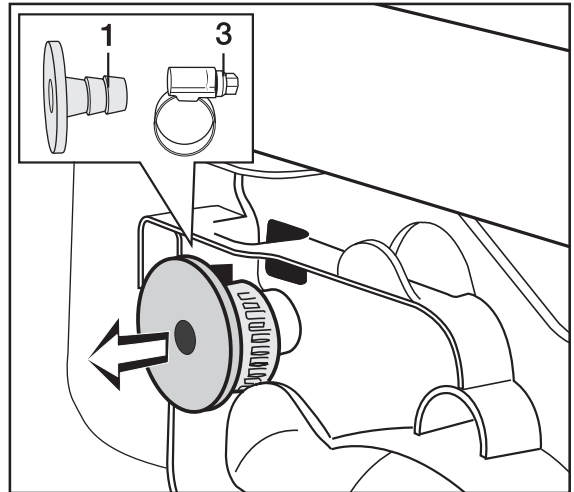
 Certain installation conditions require the fitting of a non-return valve (available as an optional accessory). A non-return valve will prevent the risk of back-flow out of the dryer which could cause damage.

A non-return valve is required:

- If the tumble dryer is connected to a sink drain outlet (see the following section).
- If the tumble dryer is connected to a drainage system **already in use** by another appliance, e.g. a dishwasher or washing machine.

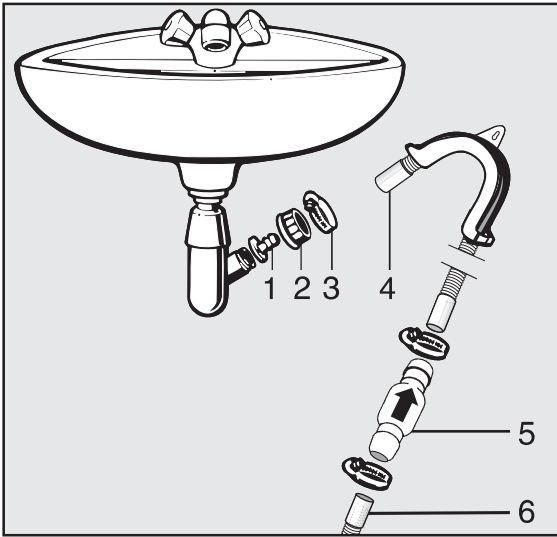
Example: Connection to a sink drain outlet

The drain hose with non-return valve fitted can be connected directly to a suitable sink drain outlet.



- Remove the following from the back of the dryer at the top:
Adapter **1** and hose clip **3** behind it.

Installation




- 1 Adapter
- 2 Nut
- 3 Hose clip
- 4 End of the hose
- 5 Non-return valve
- 6 Tumble dryer drain hose

- Fit adapter **1** to the sink drain outlet using nut **2**.

If this nut has a flat disc in it, you should take the disc out first.

- Attach the end of the hose **4** to adapter **1**.
- Use a screwdriver to tighten hose clip **3** up close to the nut.

 Non-return valve **5** has to be fitted with the arrow pointing in the direction of flow (i.e. towards the sink). Otherwise water will not drain out of the machine.

- Fit non-return valve **5** to the tumble dryer drain hose **6** (make sure it is fitted in the correct direction (see arrow on non-return valve)).
- Secure the non-return valve using hose clips.

Electrical connection

This tumble dryer is supplied ready for connection to an AC single phase supply. The machine is supplied with a mains cable with moulded plug.

The accessibility of the plug must be always ensured in order to separate the dryer from the mains.

The appliance should be connected up only by a qualified electrician, in accordance with national and local safety regulations.

For extra safety, it is advisable to install a residual current device (RCD) with a trip current of 30 mA.

The voltage, rated load and plug rating are given on the data plate. Please ensure that these match the household mains supply.

Important


The wires in the mains lead are coloured in accordance with the following code:

Green/yellow = earth

Blue = neutral

Brown = live

As the colours of the wires in the mains lead of this appliance may not correspond with the coloured markings identifying the terminals in your plug, proceed as follows:

The wire which is coloured green and yellow must be connected to the terminal in the plug which is marked with the letter E or by the earth symbol  or coloured green or green and yellow.

The wire which is coloured blue must be connected to the terminal which is marked with the letter N or coloured black.

The wire which is coloured brown must be connected to the terminal which is marked with the letter A or coloured red.

WARNING
THIS APPLIANCE MUST BE
EARTHED

Consumption data

	Load ¹	Final spin speed in a domestic washing machine	Residual moisture	Energy	Duration
	kg	rpm	%	kWh	min.
Cottons Normal²	7.0	1000	60	3.80	121
Cottons Normal	7.0	1200	53	3.45	110
	7.0	1400	50	3.25	105
	7.0	1600	48	2.90	95
	7.0	1800	43	2.85	93
Cottons Normal low temperature	7.0	1000	60	4.10	169
Cottons Hand iron²	7.0	1000	60	3.00	96
Cottons Hand iron	7.0	1200	53	2.65	85
	7.0	1400	50	2.50	80
	7.0	1600	48	2.10	70
	7.0	1800	43	2.05	68
Minimum iron Normal²	3.5	1200	40	1.35	44
Minimum iron Normal low temperature	3.5	1200	40	1.40	66
Minimum iron Hand iron	3.5	1200	40	1.15	39
Delicates	2.0	700	50	1.50	98
Woollens handcare	2.0	1000	50	0.11	4
¹ Weight of dry laundry					
² EN 61121:2005 test programme					
All data without a "star" placed against it was calculated using EN 61121:2005.					

Note for test institutes:

Results based on European test results.

Before testing in accordance with EN 61121, dry a 3 kg load of cotton laundry with 70% residual moisture as per the above standard using the Cottons Normal programme without any Extra options.

Consumption data can vary from the nominal values given above depending on the size of the load, types of textiles, residual moisture levels after spinning, fluctuations in the electricity supply and any Extra options selected.

Technical data

Height	850 mm
Width	595 mm
Depth	587 mm
Depth with door open	1,062 mm
Height for building under	820 mm
Width for building under	600 mm
Depth for building under	600 mm
Suitable for pushing under a worktop	Yes
Suitable for stacking	Yes
Weight	51 kg
Drum volume	111 l
Maximum capacity	7 kg dry weight
Capacity of condensed water container	approx. 4.2 l
Drain hose length	1.5 m
Maximum delivery head	1.5 m
Maximum drain hose length	4 m
Length of connection cable	2 m
Voltage	See data plate
Rated load	
Fuse rating	
Lamp wattage	
Test certificates awarded	
Energy consumption	see "Consumption data"

Programmable functions

Changing the residual moisture of the "Cottons" programme

The electronics of this dryer ensure a very effective and energy-efficient drying process. You can, however, extend the range of the drying level in this programme to adjust the amount of moisture in laundry at the end of the programme.

Follow steps (1,2,3 ...) with the help of the *Start* button and programme selector to programme and store in memory.

Before you begin, first ensure that:

- The dryer is switched off.
- The door is closed.
- The programme selector is turned to *Finish*.

- 1 Press the *Start/Stop* button and keep it pressed in whilst carrying out steps 2-3.
- 2 Switch the dryer on.
- 3 Wait until *Start* lights up constantly. . .
- 4 . . . and then release the *Start* button.

The *Finish/Anti-crease* indicator light will flash once.

The **flashing *Drying*** indicator light shows which option is selected.

- If the *Drying* indicator light doesn't flash:

Residual moisture will increase.

- If the *Drying* indicator light flashes once:

Factory default settings.

- If the *Drying* indicator light flashes twice:

Residual moisture will decrease.

- 5 You can switch from one option to the other by pressing the *Start* button (*Drying* indicator light).

- 6 Switch the dryer off.

The setting you have selected is now stored in memory. You can alter the settings again at any time.

Control

- Repeat steps 1 to 4.
- After checking the indicator lights (see above), switch the dryer off.

Extending the drying level for the "Minimum iron" programme

The electronics of this dryer ensure a very effective and energy-efficient drying process.

You can, however, extend the range of the drying level in this programme to adjust the amount of moisture in laundry at the end of the programme.

Follow steps (1,2,3 ...) with the help of the *Start* button and programme selector to programme and store in memory.

Before you begin, first ensure that:

- The dryer is switched off.
- The door is closed.
- The programme selector is turned to *Finish*.

- 1 Press the *Start/Stop* button and keep it pressed in whilst carrying out steps 2-3.
- 2 Switch the dryer on.
- 3 Wait until *Start* lights up constantly. . .
- 4 . . . and then release the *Start* button.

- 5 Turn the programme selector to *Cottons Normal+*.

The *Finish/Anti-crease* indicator light will flash twice.

The **flashing *Drying*** indicator light shows which option is selected.

- The *Drying indicator* light doesn't flash:
Residual moisture will increase.
- The *Drying* indicator light flashes once:
Factory default setting.
- The *Drying* indicator light flashes twice:
Residual moisture will decrease.

- 6 You can switch from one option to the other by pressing the *Start* button (*Drying* indicator light).

- 7 Switch the dryer off.

The setting you have selected is now stored in memory. You can alter the settings again at any time.

Control

- Repeat steps 1 to 5.
- After checking the indicator lights (see above), switch the dryer off.

Programmable functions

Anti-crease setting

Helps prevent creasing if laundry is not normally removed immediately after the end of a programme. The drum will turn at intervals for two hours after the programme has finished.

Anti-crease

- is set as a standard setting, can be shortened or switched off completely.
- can be used for all programmes, except *Woolens handcare*.
- should always be switched on.

Follow steps (1,2,3 ...) with the help of the *Start* button and programme selector to programme and store in memory.

Before you begin, first ensure that:

- The dryer is switched off.
- The door is closed.
- The programme selector is turned to *Finish*.

- 1 Press the *Start/Stop* button and keep it pressed in whilst carrying out steps 2-3.
- 2 Switch the dryer on.
- 3 Wait until *Start* lights up constantly. . .
- 4 . . . and then release the *Start* button.

- 5 Turn the programme selector to *Cottons Normal*.

The *Finish/Anti-crease* indicator light will flash 3 times.

The **flashing *Drying*** indicator light shows which option is selected.

- The *Drying* indicator light doesn't flash:
Anti-crease is off.
- The *Drying* indicator light flashes once:
1 h Anti-crease.
- If the *Drying* indicator light flashes twice:
Factory default settings. 2 h Anti-crease.

- 6 You can switch from one option to the other by pressing the *Start* button (*Drying* indicator light).

- 7 Switch the dryer off.

The setting you have selected is now stored in memory. You can alter the settings again at any time.

Control

- Repeat steps 1 to 5.
- After checking the indicator lights (see above), switch the dryer off.

Switching the buzzer on/off

A buzzer sounds (at intervals for a maximum of 1 hr) to let you know the programme has finished.

The buzzer is activated as standard at the factory. You can deactivate the buzzer at the end of a programme if you wish.

The buzzer will still sound if there is a fault, even if it has been switched off.

Follow steps (1,2,3 ...) with the help of the *Start* button and programme selector to programme and store in memory.

Before you begin, first ensure that:

- The dryer is switched off.
- The door is closed.
- The programme selector is turned to *Finish*.

- 1 Press the *Start/Stop* button and keep it pressed in whilst carrying out steps 2-3.
- 2 Switch the dryer on.
- 3 Wait until *Start* lights up constantly. . .
- 4 . . . and then release the *Start* button.

- 5 Turn the programme selector to *Cottons Low temperature*.

The *Finish/Anti-crease* indicator light will flash four times.

The **flashing *Drying*** indicator light shows which option is selected.

- The *Drying* indicator light doesn't flash:
Buzzer is switched off.
 - The *Drying* indicator light flashes:
Factory default setting. Buzzer is switched on.
- 6 You can switch from one option to the other by pressing the *Start* button (*Drying* indicator light).
 - 7 Switch the dryer off.

The setting you have selected is now stored in memory. You can alter the settings again at any time.

Control

- Repeat steps 1 to 5.
- After checking the indicator lights (see above), switch the dryer off.

Programmable functions

Changing the "Delicates" programme selection

The drying result is set to the standard drying level *Normal*. You have the possibility to switch to *Hand iron* (more moisture) or *Normal+* (drier than the standard drying level).

Follow steps (1, 2, 3 ...) with the help of the *Start* button and programme selector to programme and store in memory.

Before you begin, first ensure that:

- The dryer is switched off.
 - The door is closed.
 - The programme selector is turned to *Finish*.
- 1 Press the *Start/Stop* button and keep it pressed in whilst carrying out steps 2-3.
 - 2 Switch the dryer on.
 - 3 Wait until *Start* lights up constantly. . .
 - 4 . . . and then release the *Start* button.

- 5 Turn the programme selector to *Cottons Hand iron*.

The *Finish/Anti-crease* indicator light will flash 5 times.

The **flashing *Drying*** indicator light shows which option is selected.

- The *Drying* indicator light doesn't flash:
Standard Drying level becomes *Hand iron*.
 - The *Drying* indicator light flashes once:
Factory default setting.
 - The *Drying* indicator light flashes twice:
Standard Drying level becomes *Normal+*.
- 6 You can switch from one option to the other by pressing the *Start* button (*Drying* indicator light).
 - 7 Switch the dryer off.

The setting you have selected is now stored in memory. You can alter the settings again at any time.

Control

- Repeat steps 1 to 5.
- After checking the indicator lights (see above), switch the dryer off.

Extending the cooling down time

The cooling down phase which takes place before the end of a programme can be lengthened if required. This makes the garments easier to handle.

The extension of the cooling down phase is not a factory standard setting. It can be extended in two steps.

It can be adjusted for *Cottons*, *Minimum iron*, *Delicates*.

Follow steps (1,2,3 ...) with the help of the *Start* button and programme selector to programme and store in memory.

Before you begin, first ensure that:

- The dryer is switched off.
- The door is closed.
- The programme selector is turned to *Finish*.

- 1 Press the *Start/Stop* button and keep it pressed in whilst carrying out steps 2-3.
- 2 Switch the dryer on.
- 3 Wait until *Start* lights up constantly. . .
- 4 . . . and then release the *Start* button.

- 5 Turn the programme selector to *Smoothing*.

The *Finish/Anti-crease* indicator light will flash 7 times.

The **flashing *Drying*** indicator light shows which option is selected.

- The *Drying* indicator light doesn't flash:

Factory default setting.

- The *Drying* indicator light flashes once:

Cooling down phase is 5 minutes longer.

- The *Drying* indicator light flashes twice:

Cooling down phase is 10 minutes longer.

- 6 You can switch from one option to the other by pressing the *Start* button (*Drying* indicator light).

- 7 Switch the dryer off.

The setting you have selected is now stored in memory. You can alter the settings again at any time.

Control

- Repeat steps 1 to 5.
- After checking the indicator lights (see above), switch the dryer off.

Programmable functions

Set Standby

To save energy, the indicator lights go out after 10 minutes and the indicator light for the *Start* button will start flashing slowly.

Reactivate from Standby

- Turn the programme selector or press the *Start* button. This will not alter a running programme.

On

Standby is activated and indicator lights will go dark after 10 minutes:

- if a programme is not selected after the machine has been switched on.
- after a programme has started.

However: Indicator lights will be switched on for 10 minutes after the end of a programme or at the end of the anti-crease cycle.

The buzzer (if selected) will sound for 10 minutes after the end of a programme.

Factory default setting. Not in current programme

As in "Factory default settings".

But: Indicator lights will not be switched off during a programme.

Off

Indicator lights will not be switched off if the tumble dryer is on.

Follow steps (1,2,3 ...) with the help of the *Start* button and programme selector to programme and store in memory.

- See the next page.

Programmable functions

Before you begin, first ensure that:

- The dryer is switched off.
- The door is closed.
- The programme selector is turned to *Finish*.

- ➊ Press the *Start/Stop* button and keep it pressed in whilst carrying out steps ➋-➌.
- ➋ Switch the dryer on.
- ➌ Wait until *Start* lights up constantly. . .
- ➍ . . . and then release the *Start* button.

- ➎ Turn the programme selector to *Woollens handcare*.

The *Finish/Anti-crease* indicator light will flash eight times.

The **flashing *Drying*** indicator light shows which option is selected.

- If the *Drying* indicator light doesn't flash:

On.

- If the *Drying* indicator light flashes once:

Factory default setting. Not in current programme.

- If the *Drying* indicator light flashes twice:

Off.

- ➏ You can switch from one option to the other by pressing the *Start* button (*Drying* indicator light).

- ➐ Switch the dryer off.

The setting you have selected is now stored in memory. You can alter the settings again at any time.

Control

- Repeat steps ➊ to ➎.
- After checking the indicator lights (see above), switch the dryer off.

Miele

Miele Australia Pty. Ltd.

ABN 96 005 635 398

Melbourne:

1 Gilbert Park Drive

Knoxfield, VIC 3180

Telephone: (03) 9764 7130

Fax: (03) 9764 7149

Sydney:

3 Skyline Place

Frenchs Forest, NSW 2086

Telephone: (02) 8977 4230

Fax: (02) 8977 4249

Brisbane:

39 Harvey Street North

Eagle Farm, QLD 4009

Telephone: 1800 798 578

Fax: 1800 799 578

Adelaide:

83-85 Sir Donald Bradman Drive

Hilton, SA 5033

Telephone: 1800 018 770

Fax: 1800 799 578

Perth:

205-207 Stirling Highway

Claremont, WA 6010

Telephone: 1800 094 872

Fax: 1800 799 578

www.miele.com.au

Miele New Zealand Limited

Unit L, 10-20 Sylvia Park Road
Mt. Wellington, 1060, Auckland
New Zealand

Telephone: 0800 264 353

Fax: 0800 463 453

www.miele.co.nz

Germany

Miele & Cie. KG

Carl-Miele-Straße 29

33332 Gütersloh