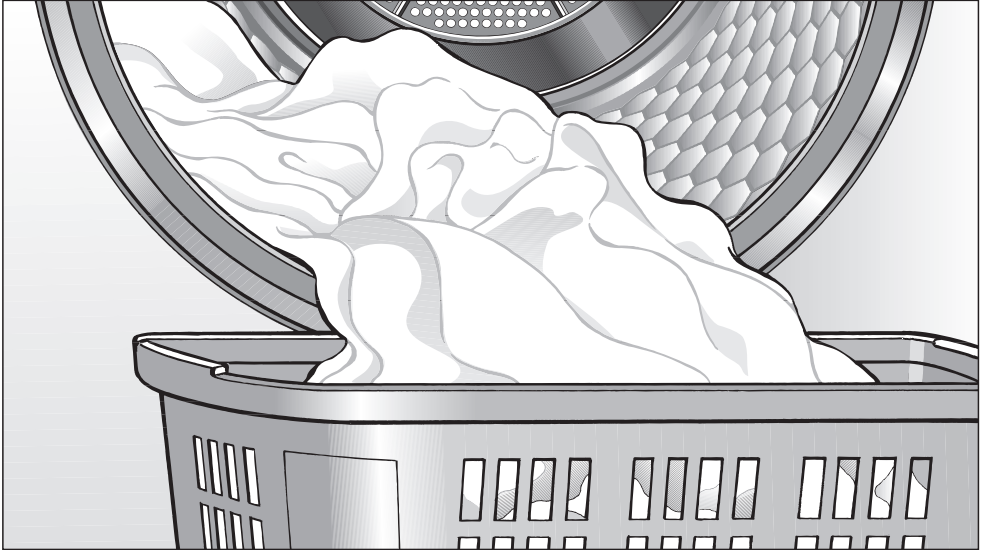


## Operating instructions



## for heat pump tumble dryer T 8929 WP

To avoid the risk of accidents or damage to the appliance, it is **essential** to read these instructions before it is installed and used for the first time.

en - AU, NZ

M.-Nr. 09 148 200

# Caring for the environment

---

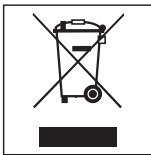
## Disposal of the packing material

The packing material protects the tumble dryer from transport damage. The transport and protective packing has been selected from materials which are environmentally friendly for disposal and can normally be recycled.

Rather than just throwing these materials away, please ensure they are recycled.

## Disposing of your old appliance

Electrical and electronic appliances often contain materials which, if handled or disposed of incorrectly, could be potentially hazardous to human health and to the environment. They are, however, essential for the correct functioning of your appliance. Please do not therefore dispose of the appliance with your household waste.



Please dispose of it at your local community waste collection / recycling centre or contact your Chartered Agent for advice.

Ensure that your old appliance presents no danger to children while being stored for disposal.

## Energy saving tips

To avoid unnecessarily long drying times and high consumption of energy:


- Make sure that your laundry is thoroughly spun before drying. The higher the spin, the greater the savings that can be made in energy and time during drying.
- Load according to the optimum amount of laundry recommended for the programme being used. Underloading is uneconomical. Overloading gives poorer quality of drying and may cause unnecessary creasing.
- Make sure that the room temperature is not too high. If there are other heat producing appliances in the room in which the dryer is located, make sure the room is well ventilated and switch the other appliances off if possible.
- After every cycle, remove the fluff from the surfaces and the fluff filters (see "Cleaning and Care").

<b>Caring for the environment</b> . . . . .	2
<b>Warning and Safety instructions</b> . . . . .	6
<b>Operating the tumble dryer</b> . . . . .	15
Control panel . . . . .	15
Display . . . . .	16
<b>Before using for the first time</b> . . . . .	18
<b>Notes on laundry care</b> . . . . .	19
Garment care label symbols . . . . .	19
Tips on drying . . . . .	19
<b>How to dry correctly</b> . . . . .	20
Brief instructions . . . . .	20
<b>Extra options</b> . . . . .	24
Freshen up . . . . .	24
Anti-crease . . . . .	24
Gentle tumble . . . . .	24
Buzzer . . . . .	24
<b>Delay start</b> . . . . .	25
<b>Programme chart</b> . . . . .	26
<b>Changing the programme sequence</b> . . . . .	31
Once a programme has started . . . . .	31
- cancelling the programme and then selecting a different programme . . . . .	31
- cancelling the programme and then removing the laundry . . . . .	31
Changing Delay start . . . . .	31
Adding or removing laundry after a programme has started . . . . .	31
Time remaining . . . . .	31

# Contents

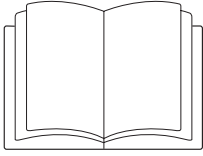
---

<b>Cleaning and care</b> . . . . .	32
Emptying the condensed water container . . . . .	32
Adhering to cleaning intervals . . . . .	33
When to clean the surfaces of the fluff filters . . . . .	33
When to clean the fine filter . . . . .	33
Surfaces of the fluff filters . . . . .	34
Cleaning without water . . . . .	34
Cleaning with water . . . . .	35
Refitting the filters . . . . .	35
Fine filter . . . . .	36
Removing the fine filter . . . . .	36
Cleaning the fine filter . . . . .	36
Cleaning the fine filter cover panel . . . . .	37
Cleaning the heat exchanger unit compartment . . . . .	37
Replacing the fine filter . . . . .	38
Cleaning the tumble dryer . . . . .	38
<b>Problem solving guide</b> . . . . .	39
Problem solving guide . . . . .	39
Fault messages in the display . . . . .	39
An unsatisfactory drying result . . . . .	42
Other problems . . . . .	43
Cleaning the cooling fins (Grille at bottom right) . . . . .	45
Changing the lamp . . . . .	46
<b>After Sales service</b> . . . . .	47
Future updates (PC) . . . . .	47
Optional accessories . . . . .	47
<b>Installation and connection</b> . . . . .	48
Front view . . . . .	48
Rear view . . . . .	49
Transporting the dryer . . . . .	49
Installation site . . . . .	50
Building under a continuous worktop/in a row of kitchen units . . . . .	50
Levelling the machine . . . . .	51
Washer-dryer stack . . . . .	51

External condensed water outlet . . . . .	52
Arranging the drain hose . . . . .	52
External drainage via a sink or gully . . . . .	53
Installation conditions requiring a non-return valve . . . . .	53
Electrical connection . . . . .	55
<b>Consumption data</b> . . . . .	<b>56</b>
<b>Technical data</b> . . . . .	<b>57</b>
<b>Settings menu</b> . . . . .	<b>58</b>
To open the Settings menu . . . . .	58
To select a setting . . . . .	58
To close the Settings menu . . . . .	58
Language  . . . . .	58
Time . . . . .	58
Drying levels . . . . .	59
Lock code . . . . .	59
Buzzer . . . . .	60
Keypad tone . . . . .	60
Contrast . . . . .	60
Brightness . . . . .	60
Standby Display . . . . .	61
Memory . . . . .	61
Anti-crease . . . . .	61

# Warning and Safety instructions

---



► It is **essential** to read these instructions.

This tumble dryer conforms to current safety requirements. Inappropriate use can, however, lead to personal injury and damage to property.

To avoid the risk of accidents and damage to the tumble dryer, please read these instructions carefully before using it for the first time. They contain important information on its safety, installation, use and maintenance.

Keep these instructions in a safe place and ensure that new users are familiar with the content. Pass them on to any future owner.

## Correct application

► This tumble dryer is designed for domestic use and for use in similar environments by guests in hotel or motel rooms, bed & breakfasts and other typical living quarters. This does not include common/shared facilities or commercial facilities within hotels, motels or bed & breakfasts.

► This tumble dryer must only be used to dry items which have been washed in a water solution and which are marked on the manufacturer's care label as being suitable for tumble drying. "Dry cleaning kits" for freshening up garments in a tumble dryer are increasingly available on the market. If using, do so at your own risk, and follow the instructions provided on the packaging. Any other usage is not supported by the manufacturer and could be dangerous. Miele cannot be held liable for damage resulting from incorrect or improper use or operation of the tumble dryer.

## Warning and Safety instructions

---

- ▶ The tumble dryer is not intended for outdoor use.
- ▶ This appliance is not intended for use by persons (including children) with reduced physical, sensory or mental capabilities, or lack of experience or knowledge, unless they are supervised whilst using it or have been shown how to use it correctly by a person responsible for their safety.
- ▶ This tumble dryer must not be installed and operated in mobile installations (e.g. on a ship).

### **Safety with children**

- ▶ Keep children away from the tumble dryer at all times. It is not a toy! To avoid the risk of injury do not allow them to play on or near it or to play with its controls. Supervise children whilst you are using it.
- ▶ Older children may only use it if its operation has been clearly explained to them, and they are able to use it safely, recognising the dangers of incorrect use.

# Warning and Safety instructions

---

## Technical safety

▶ Before setting up the tumble dryer, check it for any externally visible damage.

Do not install or use a damaged tumble dryer.

▶ Before connecting the appliance, make sure that the connection data on the data plate (voltage and rated load) match the mains electricity supply. If in doubt, consult a qualified electrician.

▶ The electrical safety of this appliance can only be guaranteed when continuity is complete between it and an effective earthing system. It is most important that this basic safety requirement is present and regularly tested, and where there is any doubt, the household wiring system should be inspected by a qualified electrician. Miele cannot be held liable for the consequences of an inadequate earthing system (e.g. electric shock).

▶ The heat pump technology in the tumble dryer uses a refrigerant which is condensed by a compressor. It is led in a closed circuit through the heat exchanger unit where heat exchange with the circulating drying air takes place. It is normal for humming noises caused by the heat pump technology to be heard during the drying process. This does not impair the efficient functioning of the dryer.

– The refrigerant is not flammable or explosive.

– In general it is not necessary to leave the dryer standing for any length of time before it is connected to the mains provided it has been transported and installed correctly (see "Installation").

▶ Do not connect the tumble dryer to the mains electricity supply by an extension lead. Extension leads do not guarantee the required safety of the appliance (e.g. danger of overheating).



## Warning and Safety instructions

---

- ▶ Unauthorised repairs could result in unforeseen dangers for the user, for which Miele cannot accept liability. Repairs should only be undertaken by a Miele approved service technician.
- ▶ Faulty components must only be replaced by genuine Miele spare parts. Only when these parts are fitted can the safety standards of the tumble dryer be guaranteed.
- ▶ If the connection cable is faulty, it must only be replaced by a Miele approved service technician to protect the user from danger.
- ▶ In the event of a fault or for cleaning purposes, the tumble dryer is only completely isolated from the electricity supply when:
  - it is switched off at the wall socket and the plug is withdrawn, or
  - it is switched off at the mains, or
  - the mains fuse is withdrawn.
- ▶ Do not make any alterations to the tumble dryer, unless authorised to do so by Miele.
- ▶ In areas which may be subject to infestation by cockroaches or other vermin, pay particular attention to keeping the appliance and its surroundings in a clean condition at all times. Any damage which may be caused by cockroaches or other vermin will not be covered by the warranty.


# Warning and Safety instructions

---

## Correct use



READ THE INSTRUCTIONS

 Caution! Risk of fire.  
To avoid the possible danger of fire, please read these warnings carefully.

 A clogged filter is a fire hazard!  
The fluff filter must be cleaned after every programme.

- ▶ Remove all objects from pockets such as lighters and matches.
- ▶ To prevent the risk of fire, the following textiles must not be dried in this tumble dryer:
  - Items which have not been washed.
  - Items, such as workwear, which have not been thoroughly cleaned and which are still soiled with grease, oil or other deposits (such as cosmetics, lotions etc).  
If items have not been thoroughly cleaned, there is a danger that these might ignite when heated, even after they have been removed from the dryer at the end of the programme.
  - Items that have been soiled with substances such as cooking oil, acetone, petrol, kerosene, spot removers, turpentine, waxes, wax removers and other chemicals (e.g. mops and floor cloths) should be washed in hot water with extra detergent before being dried in the tumble dryer.
  - Items which have been splashed with hair lacquer, hair spray, nail polish remover or similar substances.

## Warning and Safety instructions

---

When washing such heavily soiled items, ensure that you use sufficient detergent and select a high temperature. If in doubt, wash the items several times.

- ▶ Oil-affected items can ignite spontaneously, especially when exposed to heat sources such as in a tumble dryer. The items become warm, causing an oxidation reaction in the oil. Oxidation creates heat. If the heat cannot escape, the items can become hot enough to catch fire. Piling, stacking or storing oil-affected items can prevent heat from escaping and so create a fire hazard. If it is unavoidable that fabrics contaminated with vegetable or cooking oil, or hair care products, be placed in a tumble dryer, they should first be washed in hot water with extra detergent - this will reduce, but not eliminate, the hazard.
- ▶ To prevent the risk of fire, the following textiles or products must not be dried in this tumble dryer:
  - Items which have been dry-cleaned (for example with a chemical treatment).
  - Fabrics which contain a large proportion of rubber, foam rubber or rubber-like materials. For example, products made from latex foam rubber, shower caps, waterproof textiles, rubberised articles and items of clothing and pillows with foam rubber filling.
  - Fabrics which contain padding or fillings (e.g. pillows, jackets). If these were damaged, the filling could get out with the risk of igniting in the dryer.

## Warning and Safety instructions

---

▶ In many programmes, the heating phase is followed by a cooling down phase to ensure that the items are not too hot to handle when you remove them (this also avoids the danger of the laundry self-igniting). The programme is not finished until the cooling down phase is complete.

Ensure that you always wait until the end of the programme before removing the laundry.

▶ **Warning:** Do not switch the tumble dryer off before the end of the drying programme. If this was done, remove and spread out all items quickly so that the heat is dissipated.

▶ Fabric conditioner and similar products must be used according to the instructions on the manufacturer's packaging.

▶ The tumble dryer is not to be used if industrial chemicals have been used to clean it.

## Warning and Safety instructions

---

- ▶ The tumble dryer must not be used
  - without the fluff filters in place or if the fluff filters are damaged.
  - without the fine filter in place or if the fine filters are damaged.

This would cause an excessive build-up of fluff which in turn would cause a fault!
- ▶ After every cycle, remove the fluff from the surfaces and the fluff filters (see "Cleaning and care").
- ▶ Fluff must not be allowed to accumulate around the tumble dryer.
- ▶ The fluff filters and the fine filter must be thoroughly dried after cleaning. Damp or wet filters could cause operational faults.
- ▶ Do not install the tumble dryer in a room where there is a risk of frost occurring. At temperatures around freezing point the tumble dryer may not be able to operate properly.  
There is a risk of damage if the condensed water is allowed to freeze in the pump and in the drain hose.
- ▶ If the water is drained externally through the drain hose instead of being collected in the condensed water container, make sure the drain hose is securely attached if you hang it in a sink or basin to avoid the hose slipping and the water causing damage.
- ▶ Condensed water is not drinking water. It can cause health problems in both people and animals.

## Warning and Safety instructions

---

▶ Always keep the area around the tumble dryer free of dust and fluff.

Dust drawn into the tumble dryer can cause blockages in the condenser unit over time.

▶ Do not lean on the door. This can cause the tumble dryer to tip over.

▶ Always close the door after use. This way you will avoid the danger of

- children climbing onto or into the dryer or hiding things in it.
- pets or other small animals climbing into it.

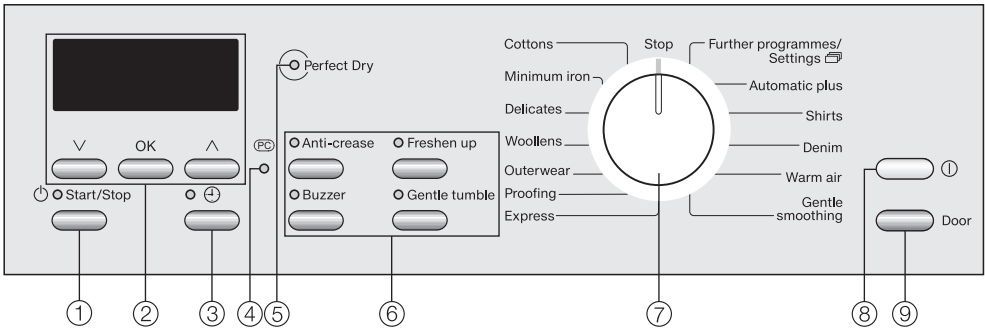
▶ The tumble dryer must not be hosed down.

### Accessories

▶ Only use genuine Miele spare parts and accessories with this tumble dryer. If non-Miele parts are used, warranty, performance and product liability claims may be invalidated.

Miele cannot be held liable for damage caused by non-compliance with these Warning and Safety instructions.

## Control panel



### ① **Start/Stop button**

For starting the programme selected and cancelling a programme once it has started.

### ② **Display with ∇, OK and ▲ buttons**

See the following pages for more information.

### ③ **⏸ button**

For selecting Delay start.

### ④ **PC / Optical interface**

This is used by service technicians to run diagnostic checks on your dryer and can also be used to update programming data in the future.

### ⑤ **Perfect Dry indicator**

For all drying level programmes. See next page.

### ⑥ **Extra option buttons** with indicator lights

Various Extra options can be added to the drying programmes.

### ⑦ **Programme selector**

The programme selector can be turned clockwise or anti-clockwise.

### ⑧ **⏻ On/Off button**

For switching the dryer on and off.

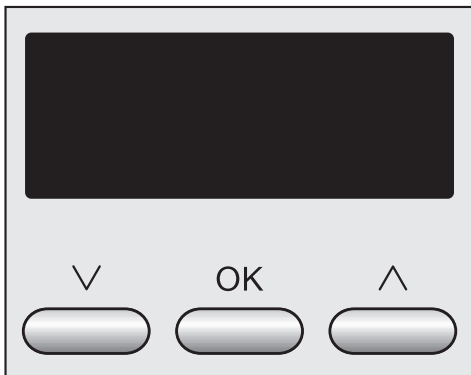
To save energy, the dryer will switch off automatically 15 minutes after the end of the programme/Anti-crease phase or 15 minutes after the dryer is switched on if it is not operated.

### ⑨ **Door button**

Pressing this button will open the door even when the dryer is switched off at the mains.

# Operating the tumble dryer

## Display



The display is operated using the **V**, **OK** and **^** buttons. The text or value currently selected will appear highlighted.

- Press the **V** button to scroll to the next text or decrease the value highlighted in the display.
- Press the **^** button to scroll to the previous text or increase the value highlighted in the display.
- Press the **OK** button to confirm the value highlighted in the display.

## Programme selection examples

To select a *Further programme*



Press the **V** button to scroll to the next programme which will then appear highlighted or press the **^** button to scroll to and highlight the previous

programme. Press the **OK** button to confirm the selection of the highlighted programme.

To increase or decrease a value



Press the **V** button to select a lower drying level and the **^** button to select a higher drying level.

Single option selection

Here one of the values is always selected. A tick ✓ will appear next to the one currently selected. The other values are deselected automatically.



Press the **V** and **^** buttons to scroll up or down the values available. Press the **OK** button to confirm your selection of the value highlighted.

To come out of a sub-menu

Select *Back* ↶ to come out of a sub-menu.



## The following can be set via the display:


- Drying levels (e.g. *Hand iron*, *Normal...*).
- Programme durations for *Cool air*, *Warm air*, *Drying basket programme*.
- Delay start.
- The cancellation of a programme.

## The following can be selected via Further programmes/Settings

### Further programmes

- Sportswear
- Silks
- Cottons Hygiene
- Standard pillows
- Large pillows
- Cool air
- Drying basket prog.  
the Miele drying basket (optional accessory) must be used with this programme.

### Settings

The *Settings*  menu is used to alter the dryer's electronics to suit different requirements. See "Settings menu" at the end of this booklet for more details.

## **Perfect Dry indicator light**

The Perfect Dry system measures the laundry's residual moisture in programmes with drying levels and provides a more precise drying result.

After starting the programme, the electronics will measure the duration of the programme (Estimated time remaining). The *Perfect Dry* indicator light will flash during this time.

The programme duration will be shown after a short time and the indicator light will go out.

Once the selected drying level has been reached, the *Perfect Dry* indicator light will remain on until the end of the programme.

The *Perfect Dry* indicator light always remains dark during the following time controlled programmes: *Woolens*, *Silks*, *Cool air*, *Warm air*, *Gentle smoothing*.

## **Estimated time remaining**

The expected time will automatically be displayed (Estimated time remaining).


The following factors all affect the estimated time remaining: Residual moisture content after spinning; type of fabric; size of load; room temperature; fluctuations in power supply.

The electronics continually assess conditions in the tumble dryer and adjust the estimated time remaining for a more accurate reading. Because of this, the time displayed can alter during the course of a programme.

In the same way, programmes may finish early. This can happen with particularly fine fabrics, very small loads or if items were partly dry beforehand.

## Before using for the first time


---

 Before using the dryer for the first time, ensure that it is correctly installed and connected. If the tumble dryer has not been transported as described in "Installation" then it must be left to stand for at least 1 hour before it is connected to the electricity supply.

- Press the  button in.

When the tumble dryer is switched on for the first time, the welcome screen will appear.

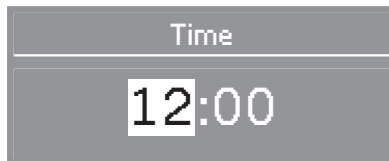
### Setting the language for the display

You will be asked to select the language you require for the display. It is possible to select another language at any time via *Further programmes/Settings*  in the *Settings* sub-menu.



- Press the  $\nabla$  and  $\Delta$  buttons to scroll through the options until the language that you want is highlighted. Press the **OK** button to confirm your selection.

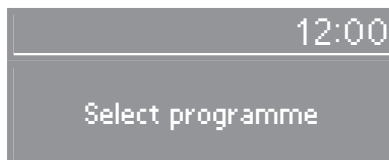
### Setting the time (of day) (if necessary)



- Press the  $\nabla$  button to decrease or the  $\Delta$  button to increase the hour.
- Confirm the hour selected with the **OK** button. Then do the same to set the minutes.

### Completing the "Before using for the first time" procedure





The entry menu showing the current time of day will appear after the tumble dryer has been switched on, until you select a programme.



- You can now load the laundry into the dryer and select a programme as described in "How to dry correctly".

The "Before using for the first time procedure" is completed when a programme lasting longer than 1 hour has been carried out. The welcome screen will appear again the next time the dryer is switched on if a programme shorter than 1 hour is selected but not if a programme longer than 1 hour is selected.

## Garment care label symbols

Drying	
	Normal/low temperature Drying is carried out at a low temperature in every programme, so you do not need to sort your garments according to whether they have the  or  symbol.
	Do not tumble dry

## Tips on drying

- Always observe the maximum recommended loads given in the "Programme chart". Never overload the drum.

Overloading can cause unnecessary wear and tear to the laundry, give a disappointing drying result and cause more creasing.

- Do not put soaking wet items into the tumble dryer. Spin fabrics for at least 30 seconds before drying.
- Use the *Automatic plus* programme for drying mixed loads of cotton and minimum iron fabrics.
- Open jackets so that they can dry evenly.
- Pure linen should only be machine dried if specified as suitable by the manufacturer on the garment care label, as the surface of the fabric may otherwise become rough.

- Loopknit garments (e.g. T-shirts and underwear) tend to shrink depending on their quality. Do not overdry these textiles. When purchasing these garments, it is advisable to take their shrinkage properties into account.
- Minimum iron fabrics tend to crease more, the larger the load. This is also the case for garments made from very fine weave fabrics, such as shirts or blouses. Make sure you select a suitable programme. If in doubt, divide the garments into smaller loads and select the *Gentle tumble Extra* option.
- Starched laundry can be dried in the tumble dryer. To achieve the usual finish, double the amount of starch should be used.
- New dark coloured garments should be washed and dried separately from light coloured garments to avoid the danger of colours running and discolouring other garments or even plastic components in the dryer. Dark coloured fibres can also settle on light coloured garments and vice versa.
- Use the *Basket programme* for drying / airing items which are not suitable for drying with mechanical action. Important: You must use a Miele drying basket (optional accessory).

# How to dry correctly


## Brief instructions

The headings numbered (1, 2, 3 ...) show the operating sequence and can be used as a brief guide to using your dryer.

### 1 Sort the laundry

To ensure an even drying result, separate out the washed laundry and sort it according to:

- ... the drying level required
- ... the type of fibre or weave
- ... size
- ... the moisture content after spinning.

 Make sure that objects e.g. detergent dispensing balls have been removed from the laundry. They could melt, and cause damage to the dryer or the laundry.

- Remove all objects from pockets such as lighters and matches.
- Check seams and stitching to ensure that padding and linings are intact.
- Fasten duvet covers and pillow cases to prevent small items from being trapped inside them.
- Fasten zips, hooks and eyes etc.
- Tie fabric belts and apron strings.
- Sew in or remove underwiring from bras.

### 2 Turn on the tumble dryer

- Switch the dryer on by pressing the ① button in.

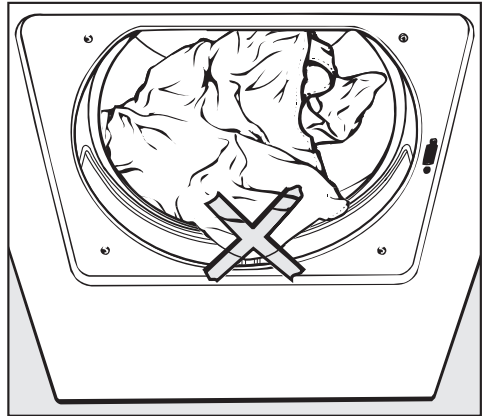
The tumble dryer may be switched on after loading, saving energy as the light will not come on.

### 3 Load the tumble dryer

- Press the *Door* button to open the door.
- Load the laundry loosely into the drum.

Do not overload the drum. See the "Programme chart" for recommended loads for each programme. Overloading can cause unnecessary wear and tear to the laundry and give a disappointing drying result.

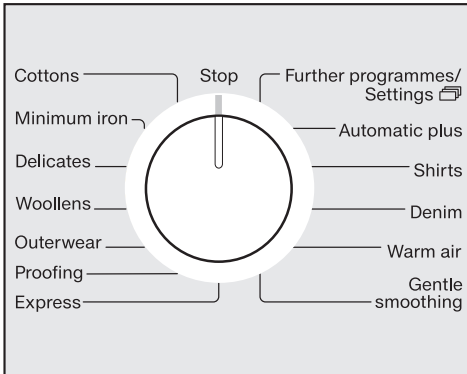
- Before closing the door, make sure the fluff filter is correctly positioned in the door.



Check the laundry is right inside the drum so that it cannot get trapped or damaged when the door is shut.

- Shut the door either with a gentle swing, or lean against it and push it shut.

## 4 Select a programme

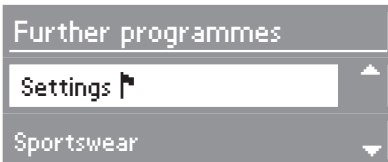


- Select the programme you want.

The programme name will appear in the display.

*Further programmes/Settings*

- Turn the programme selector to *Further programmes/Settings* , for additional programmes and settings.

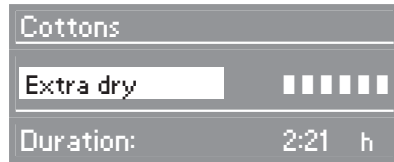


- Press the  $\nabla$  or  $\blacktriangle$  button to scroll through the options until the programme you want is highlighted.
- Confirm your selection by pressing the **OK** button.

The programme name will appear in the display.

## Drying level programmes

- You can select a drying level for many of the programmes.



- Select the drying level by pressing the  $\nabla$  or  $\blacktriangle$  button.

Any of the six drying levels can be selected for the *Cottons* and *Express* programmes. A more limited range is available when using other programmes and only the "Normal" drying level is available for the *Standard pillows / Large pillows* programmes.

Bars will also appear briefly to show the range of the drying levels available.

### Note

You can alter the drying levels for some programmes (see "Settings menu").

### The following programmes:

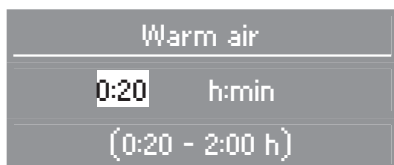
- *Gentle smoothing*, *Woollens*, *Silks* cannot be altered.

Using the *Cottons Normal +* programme is recommended for a mixed cotton load and is the programme used in energy consumption tests to AS/NZS 2442 (Refer to [www.energyrating.gov.au](http://www.energyrating.gov.au) website for consumption data).

# How to dry correctly

## Select the duration of a timed drying programme

- *Cool air:* 20 mins - 1 hour
- *Warm air:* 20 mins - 2 hours
- *Drying basket programme\*:*  
40 mins - 2:30 hours

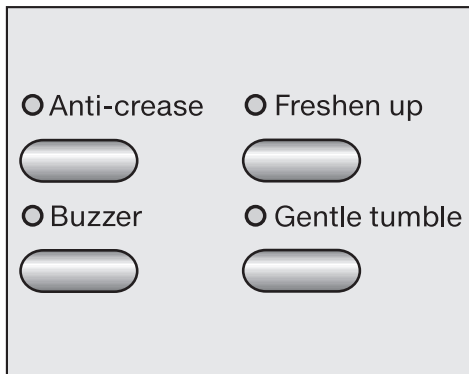


- Press the  $\nabla$  or  $\wedge$  button to increase or decrease the duration.

\* The Miele drying basket (optional accessory) must be used with this programme.

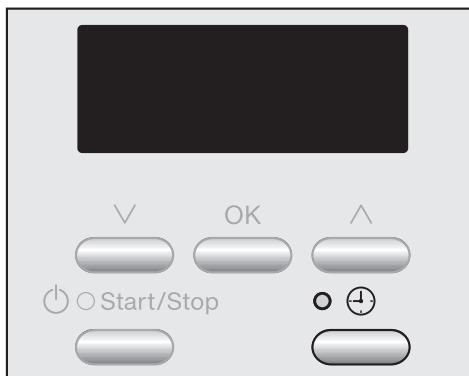
If an option is selected which is not compatible with the programme which has been chosen, *Option not possible* will appear in the display.

## 5 Select any Extra options / Delay start



- Select any Extra options by pressing the appropriate button. The relevant indicator light will come on to show which Extra option has been selected.

See "Extra options" for more information.



- You can also select Delay start (see "Delay start" for more details).

## 6 Starting the programme

The indicator light for the *Start/Stop* button will flash when a programme is being selected. The flashing indicates that a programme can be started.

- Press the *Start/Stop* button.

The indicator light for the *Start/Stop* button will now light up constantly.

*Perfect Dry* only flashes/illuminates during programmes with drying levels. It remains dark during time controlled programmes (see "Operating the tumble dryer").

Note: The duration shown in the display is only an estimate and can change.

The residual moisture is measured in programmes with drying levels and the current level is shown in the display (*Machine iron ... Hand iron*).

## Before the end of a programme

Before the end of the programme, *Cooling down* appears in the display. The programme is not finished until the cooling down phase has been completed.

## 7 Removing the laundry when the programme has finished

*Anti-crease* (if selected) and *Finished* will appear in the display to indicate that the programme has finished. The buzzer (if selected) will sound at intervals.

The dryer has a standby mode. After a programme has finished, the display will switch off and the *Start/Stop* button light will flash slowly (see "Standby"). If *Anti-crease* is activated, the drum will


still rotate occasionally. This is not a fault.

- Press the *Door* button to open the drum door.
- Remove the laundry.

Check that all items have been removed from the drum. If items are left in the dryer, they could be damaged by overdrying when the dryer is next used.

If the dryer is switched on at the mains and the door is opened, the drum lighting will come on. It will go out a few minutes later to save energy.

15 minutes after programme end/*Anti-crease* the dryer will switch off automatically.

- Switch the dryer off by pressing the  button if it is still switched on.

A buzzer will sound.

- Clean the fluff filters in the door and the door opening.
- Close the door.

- Empty the condensed water container.  
We recommend draining it externally. This means you will never have to empty it manually again.

# Extra options

## Freshen up

The drying air is heated up for a specific length of time. After this the garments are aired to the *Normal* drying level without any more heat being added.

Use *Freshen up* for the removal or reduction of odours from clean (dry or damp) clothes. Dampen the garments a little beforehand or add a fabric conditioner sheet. This Extra option will not be as effective at removing odours from any parts of the garments which are made of synthetic fibres.

## Anti-crease

After the programme has finished, the drum will continue to rotate for up to two hours in a certain rhythm, depending on the selected programme. This "Anti-crease rhythm" helps to prevent creasing if the laundry is not removed immediately after the end of a programme.

## Gentle tumble

For drying items which are not suitable for drying with a great deal of mechanical action. When this option is selected, the drum will rotate less frequently.

The programme duration will be extended.

## Buzzer

A buzzer sounds (at intervals for a maximum of 1 hr) to let you know the programme has finished.

The buzzer will always sound when

there is a fault, even if it has been switched off.

## Extra options which can be selected

	Anti-crease	Buzzer	Freshen up	Gentle tumble
Automatic plus	●	●		
Cottons	●	●	● <sup>1</sup>	● <sup>1</sup>
Cottons hygiene	●	●		
Express	●	●		
Proofing	●	●		
Denim	●	●	● <sup>1</sup>	● <sup>1</sup>
Standard pillows	●	●		
Large pillows	●	●		
Drying basket prog.			●	
Cool air	●	●		
Warm air	●	●		●
Shirts	●	●	● <sup>1</sup>	● <sup>1</sup>
Outerwear	●	●		
Minimum iron	●	●	● <sup>1</sup>	● <sup>1</sup>
Gentle smoothing	●	●		
Silks	●	●		
Sportswear	●	●		●
Delicates	●	●		
Woollens			●	

● selectable / ●<sup>1</sup> either *Freshen up* or *Gentle tumble*

Tip: You can alter the Anti-crease and buzzer Extra options, as well as drying levels for some programmes (see "Settings").



With Delay start you can choose when you want the programme to end. The start of a programme can be delayed from 15 minutes up to a maximum of 24 hours, allowing you to make use of night-time economy electricity rates, for example.

The current time of day needs to have been set for Delay start to work correctly.

## To select Delay start

- 1 Select the programme you want and then press the ⊕ button.

The display shows:

Delay start	8:20
Start time	8:20
Finish time	9:39

- 2 Press the ^ button to select the time you want the programme to end at.

The first press on the button will adjust the programme end time to the next 15, 30, 45 minutes or full hour. Each subsequent press on the button will delay the programme end time by 15 minutes.

Delay start	8:20
Start time	10:41
Finish time	12:00

- 3 Confirm your selection by pressing the **OK** button.

- 4 Press the *Start/Stop* button.

The display will show the hours and minutes remaining until the start of the programme.

The drum will turn briefly every hour to help prevent creasing.

## To change Delay start

You can select a different programme end time, if you wish.

- Press the ⊕ button.
- Use the ∨ or ^ button to change the programme end time.
- Confirm your selection by pressing the **OK** button.

You can also alter the drying level or select or deselect Extra options.

## To cancel Delay start

- Press the *Start/Stop* button.

The following will appear in the display: *Cancel delay start.*

- Confirm by pressing the **OK** button.
- Now you can select a different programme, or
- Press the *Start/Stop* button to start the programme straight away.

# Programme chart

<b>Cottons</b>		<b>Max. load 7 kg*</b>
<b>Extra dry, Normal+, Normal</b>		
Fabric type	Single and multi-layered cotton fabrics such as towelling, T-shirts, underwear, flannelette bed linen.	
Notes	<ul style="list-style-type: none"> <li>– Select <i>Extra dry</i> for multi-layered and very thick fabrics.</li> <li>– Do not use <i>Extra dry</i> for loopknit fabrics (e.g. T-shirts, underwear, baby clothes), as they have a tendency to shrink.</li> </ul>	
<b>Hand iron Δ, Hand iron ΔΔ, Machine iron</b>		
Fabric type	Cotton or linen fabrics, e.g.: table linen, bed linen, starched laundry.	
Note	To prevent laundry from drying out, it should be rolled up until you are ready for ironing.	
<b>Minimum iron</b>		<b>Max. load 3.5 kg*</b>
<b>Normal+, Normal, Hand iron Δ</b>		
Fabric type	Minimum iron items made of cotton, synthetic or blended fabrics, e.g.: dresses, trousers, skirts and table cloths.	
<b>Delicates</b>		<b>Max. load 2.5 kg*</b>
<b>Normal+, Normal, Hand iron Δ, Hand iron ΔΔ</b>		
Fabric type	Delicate items made of synthetic fibres, easy care cotton or blended fabrics, e.g. shirts, blouses, lingerie and appliquéd garments.	

\* Weight of dry laundry

## Programme chart

<b>Woollens</b>		<b>Max. load: 2 kg*</b>
Fabric type	Woollen fabrics. Fabrics containing wool blends.	
Notes	<ul style="list-style-type: none"> <li>– Woollen garments are fluffed up.</li> <li>– Remove garments immediately at the end of the programme.</li> </ul>	
<b>Outerwear</b>		<b>Max. load: 2.5 kg*</b>
<b>Normal, Hand iron <math>\Delta</math></b>		
Fabric type	Outerwear which is suitable for drying in a tumble dryer.	
<b>Proofing</b>		<b>Max. load: 2 kg*</b>
<b>Normal</b>		
Fabric type	For drying microfibre fabrics, ski wear, fine, closeweave cotton garments (poplin) or tablecloths which are suitable for drying in a tumble dryer and have been treated to provide a water and dirt resistant finish.	
Notes	<ul style="list-style-type: none"> <li>– This programme contains an extra fixing phase for proofing.</li> <li>– <b>Only use proofing agents which are stated by the manufacturer as being "suitable for use on membrane textiles"</b> as these contain fluorochemical compounds.</li> <li>– <b>Do not dry items which have been treated with proofing agents containing paraffin. Fire hazard!</b></li> </ul>	
<b>Express</b>		<b>Max. load: 3.5 kg*</b>
<b>Extra dry, Normal+, Normal, Hand iron <math>\Delta</math>, Hand iron <math>\Delta\Delta</math>, Machine iron</b>		
Fabric type	Tougher fabrics for the <i>Cottons</i> programme.	
Note	Reduced programme duration.	
<b>Automatic plus</b>		<b>Max. load: 5 kg*</b>
<b>Normal+, Normal, Hand iron <math>\Delta</math></b>		
Fabric type	Mixed loads of garments suitable for the <i>Cottons</i> and <i>Minimum iron</i> programmes. Sort according to colour.	
<b>Shirts</b>		<b>Max. load: 2 kg*</b>
<b>Normal, Hand iron <math>\Delta</math></b>		
Fabric type	Shirts and blouses.	

\* Weight of dry laundry

# Programme chart

<b>Denim</b>		<b>Max. load: 3 kg*</b>
<b>Normal, Hand iron <math>\Delta</math></b>		
Fabric type	Denim garments, e.g. trousers, jackets, skirts or shirts.	
<b>Cool air</b>		<b>Max. load: 7 kg*</b>
Fabric type	Any item which only needs airing.	
<b>Warm air</b>		<b>Max. load: 7 kg*</b>
Fabric type	<ul style="list-style-type: none"> <li>– "Voluminous" and multi-layered fabrics whose layers have different drying characteristics: e.g. jackets, pillows.</li> <li>– For drying individual items, e.g. bath towels, swimwear, tea towels and small loads.</li> </ul>	
Note	<ul style="list-style-type: none"> <li>– Do not select the longest drying time to start with. Check the items as you are drying them to find the optimum time.</li> </ul>	
<b>Gentle smoothing</b>		<b>Max. load: 1 kg*</b>
Fabric type	<ul style="list-style-type: none"> <li>– Cotton and linen fabrics.</li> <li>– Minimum iron items made of cotton, synthetic or mixed fibres. For example: trousers, anoraks, shirts.</li> </ul>	
Notes	<ul style="list-style-type: none"> <li>– Suitable for dry and damp laundry/fabrics. Dry fabrics are time-controlled and damp fabrics are smoothed using the Hand iron function.</li> <li>– Smooths out creasing caused during the spin cycle in the washing machine.</li> <li>– Remove garments as soon as the programme has finished so that they are easy to iron.</li> </ul>	
<b>Sportswear</b>		<b>Max. load: 3 kg*</b>
<b>Normal+, Normal, Hand iron <math>\Delta</math></b>		
Fabric type	Sportswear which is suitable for drying in a tumble dryer.	
<b>Silks</b>		<b>Max. load: 1 kg*</b>
Fabric type	Silks (which are suitable for drying in a tumble dryer), e.g. blouses and shirts.	
Notes	<ul style="list-style-type: none"> <li>– Smooths out creasing.</li> <li>– Remove garments immediately at the end of the programme.</li> </ul>	

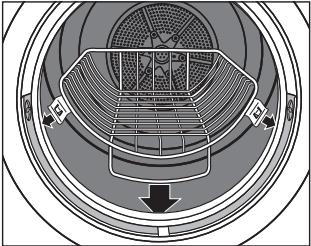
\* Weight of dry laundry

## Programme chart

<b>Cottons hygiene</b>		<b>Max. load: 3.5 kg*</b>
<b>Normal</b>		
Fabric type	Cottons and linen fabrics, which will be in direct contact with the skin, e.g. underwear, nappies, towelling, bed linen, pillow and mattress covers.	
Note	The temperature is held constant for a longer period of time to deactivate micro-organisms, e.g. germs or house dustmites, and also reduce the number of allergens in the laundry. This programme should not be interrupted as this would prevent the micro-organisms from being deactivated.	
<b>Pillows</b>		<b>1-2 pillows up to 80 x 40 cm</b>
<b>Large pillows</b>		<b>1 pillow up to 80 x 80 cm</b>
<b>Normal</b>		
Fabric type	Pillows suitable for drying in a tumble dryer, with feather, down or synthetic fillings.	
Note	Pillows can still feel damp after being dried. You can use this programme several times until the pillow feels dry.	

\* Weight of dry laundry

# Programme chart

<b>Drying basket programme</b>		<b>Max. load for basket: 3 kg</b>
Notes	<ul style="list-style-type: none"><li>- The drum does not rotate in this programme. For this reason, airing and drying may only be carried out if the Miele drying basket (optional accessory) is fitted in the drum.</li><li>- Use this programme to dry items which are suitable for drying in a tumble dryer but which are not suitable for drying using mechanical action.</li><li>- A satisfactory drying result cannot be achieved without the drying basket.</li><li>- It is essential to observe the operating instructions for the drying basket.</li></ul>	
Fabric type/ Items	See the operating instructions supplied with the drying basket.	

\* Weight of dry laundry

# Changing the programme sequence

---

You cannot change to another programme once a programme has started (this prevents unintentional alterations).

If an attempt is made to change a selection: *Option not possible* will appear in the display.

It is still possible to select or deselect the *Buzzer* and the *Anti-crease Extra* options.

You will need to cancel the current programme before you can select a new one.

## Once a programme has started

### - cancelling the programme and then selecting a different programme

- Press the *Start/Stop* button.

*Cancel programme* appears in the display.

- Press the **OK** button.

The items will be cooled down, depending on the temperature reached and how long they have been dried for.

If you press the *Start/Stop* button during the cooling down phase and confirm by pressing **OK**, *Finished* will appear in the display.

- Switch off the tumble dryer by pressing the ① button.
- Switch on the tumble dryer by pressing the ① button.
- Select and start a new programme.

Note: A programme can also be cancelled by turning the programme selector to *Stop*.

### - cancelling the programme and then removing the laundry

- Refer to the following: "Adding or removing laundry after a programme has started".
- Switch the dryer off after closing the door.

## Changing Delay start

- See "Delay start".

## Adding or removing laundry after a programme has started

- Press the *Door* button.
- Open the door.
- Add or remove items as required.
- Close the door.
- Press the *Start/Stop* button.

## Time remaining

Changes to the programme sequence can alter the estimated time remaining in the display.

# Cleaning and care

## Emptying the condensed water container

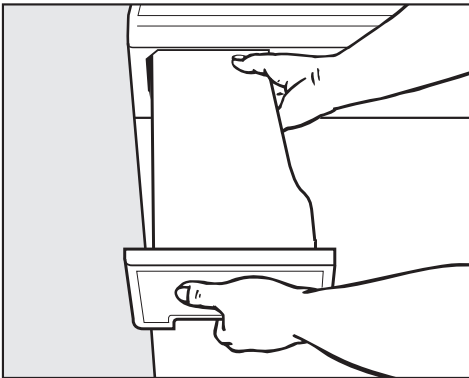
Condensate is collected in the condensed water container during drying, unless the dryer has been connected for external drainage.

Empty the condensed water container after every drying programme, unless the dryer has been connected for external drainage (see "Installation and connection").

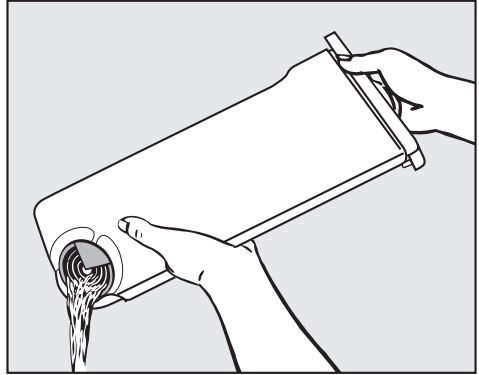
- If the condensed water container is full,
- the programme will be cancelled.
  - *Empty the container* appears in the display.

To clear the display:


- Switch the dryer off and then on again.



- Pull out the condensed water container.
- Hold it at the front and towards the back and keep it in a horizontal position when carrying it.



- Empty the condensed water container.
- Slide the container back into the dryer.

 Condensed water should not be consumed. It could lead to health problems for people and animals.

Condensed water can be put to household use (e.g. used in a steam iron or humidifier). To ensure that any residual particles of fluff in the condensed water are removed before use, pass it through a fine sieve or paper filter first.




## Adhering to cleaning intervals

This tumble dryer has a multistage filter system, consisting of the **fluff filters in the door and the door opening** and an additional **fine filter**.

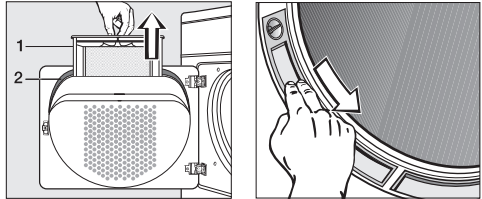
This system requires maintenance.

- **This tumble dryer must not be used without the fluff filters and fine filter in place.**  
**The grille at the bottom right of the appliance must also always be in place.**
- **Also ensure that the fluff filters and the fine filter are not damaged.**  
**If they are damaged: replace them immediately (optional accessories).**

 Failure to follow instructions:  
The tumble dryer may experience an excessive build-up of fluff, which in turn could cause a fault.

## When to clean the surfaces of the fluff filters

Clean fluff filters after every programme.

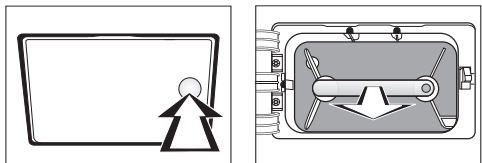


The fluff which is created by the drying process is collected by the fluff filters in the door and the door opening.

- See "Surfaces of the fluff filters".

## When to clean the fine filter

Only clean the fine filter if *Clean plinth filter* appears in the display.



The fine filter is located behind the cover panel at the bottom left of the appliance. It collects finer fluff, hair and detergent residues which have got through the surfaces of the fluff filters in the door and the door opening.

- See section "Fine filter".
- To clear the display: Press the **OK** button.

# Cleaning and care

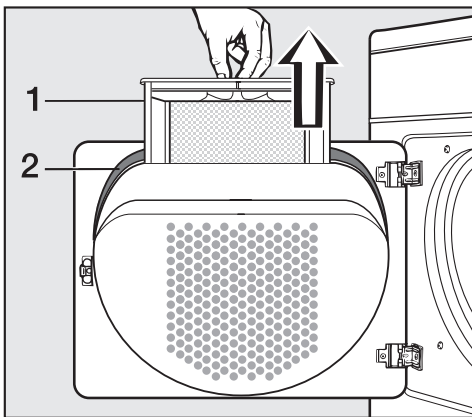
## Surfaces of the fluff filters

### Cleaning intervals

Clean the surfaces of the fluff filters in the door and the door opening after each drying programme.

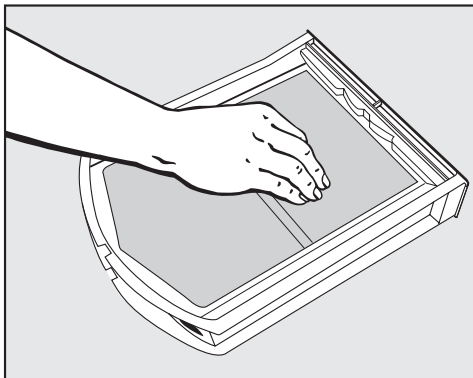
### Cleaning without water

Tip: You can use a vacuum cleaner to remove the fluff.

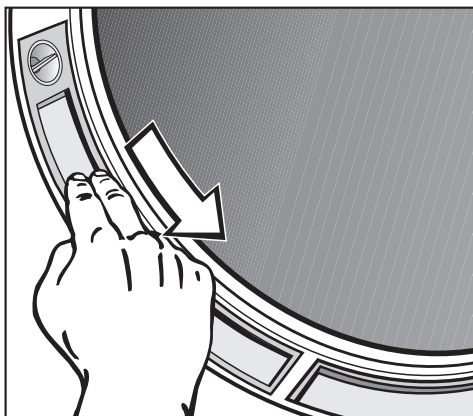


- 1 Fluff filter
- 2 Seal

- Open the door and pull the fluff filter (1) out of the door as illustrated.
- Remove any fluff from the hollow part of the door with a bottle brush or a vacuum cleaner.
- Also clean the door seal (2) with a damp cloth.



- Use your fingers or a vacuum cleaner to remove the fluff from the surface of the filter.



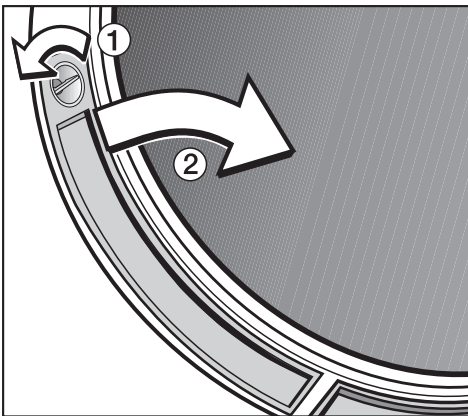
- Use your fingers or a vacuum cleaner to remove the fluff from the two fluff filters in the door opening.
- Push the filter back into the door holder until it clicks into position. Ensure it is facing the correct way.
- Close the door.

## Cleaning with water

If there is a great deal of compacted fluff on any of the filters, they must be removed and cleaned under hot running water.


- Open the door and pull the fluff filter out of the door as described previously.

The two filters in the door opening can also be removed if you need to clean them with water.



- Turn the dial ① on each fluff filter until you feel it click.
- Pull the filter out of the door opening by the dial as shown ②.
- Rinse all the filters under hot, running water.
- Carefully dry the fluff filters thoroughly.
- Clean the area underneath these filters, e.g. with a vacuum cleaner.

## Refitting the filters

 The fluff filters must be dry before they are refitted. Damp or wet filters could cause operational faults.

- Push the filter back into the door holder until it clicks into position. Ensure it is facing the correct way.
- Replace the filters in the door opening by first inserting them at the bottom and then pressing them into place at the top.
- Lock both dials (you will feel them click into position).

# Cleaning and care

## Fine filter

### Cleaning intervals

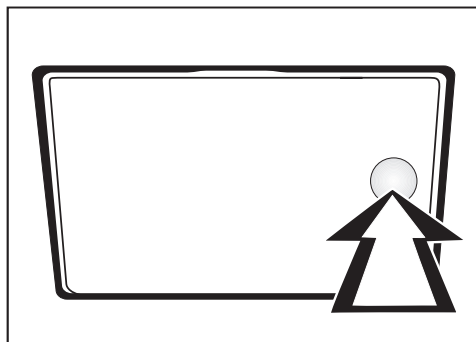
Only clean the fine filter if *Clean plinth filter* appears in the display.

- To clear the display: Press the **OK** button.

### Removing the fine filter

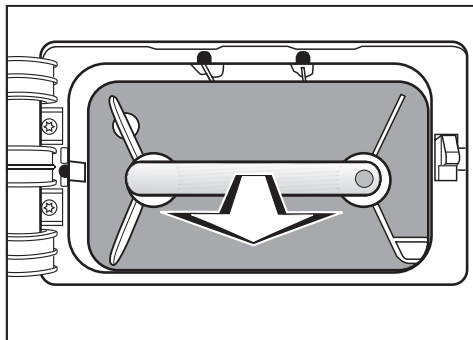
- Switch the tumble dryer off.

At the bottom left of the appliance:

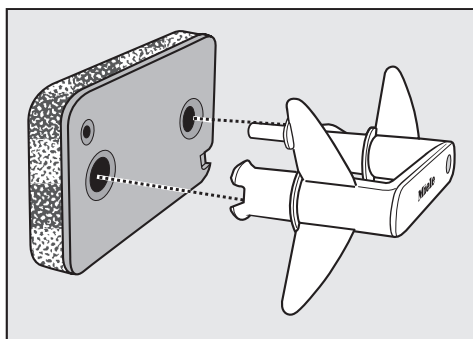


- Press the cover panel for the fine filter.

The panel will open.




- Pull the fine filter out by the handle.



- Pull the handle out of the fine filter.

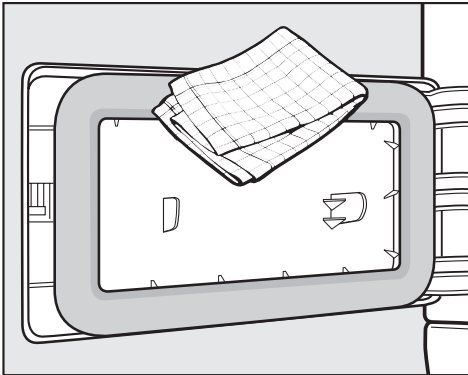
### Cleaning the fine filter

- Clean the fine filter thoroughly under running water.
- Then firmly squeeze the water out of the fine filter.

 The fine filter must not be replaced in the dryer dripping wet. This could cause a fault to occur.


- Remove any fluff on the handle with a damp cloth.


## Cleaning the fine filter cover panel



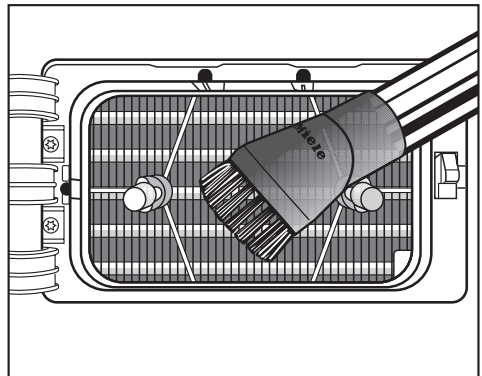
- Remove any fluff with a damp cloth. Be careful not to damage the rubber seal.
- Check whether the cooling fins are dirty (refer to the following).

## Cleaning the heat exchanger unit compartment

 **Danger of injury!**  
Do not touch the cooling fins as they are very sharp and may cut your fingers.

 **Risk of damage!**  
Carefully run the dusting brush of the vacuum cleaner across the cooling fins.  
Otherwise the cooling fins or the braces in front of them may be damaged.

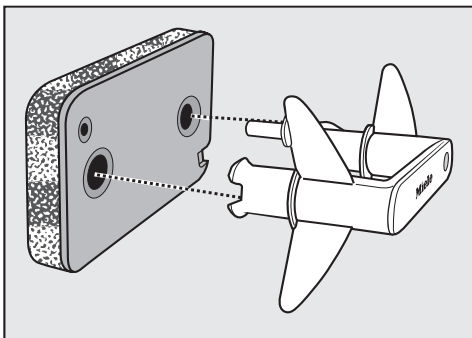
In case of visible soiling:



- Carefully vacuum up any soiling using a dusting brush or crevice nozzle.

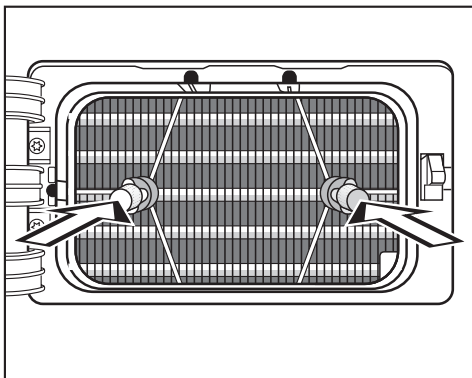
## Cleaning and care

### Replacing the fine filter



- Insert the handle into the fine filter.

In order that the filter sits correctly in front of the heat exchanger unit:



- Stick the handle with the filter attached onto the two guide pins.

Ensure that the **yellow dot is on the right-hand side** of the handle.

- Push the handle in as far as it will go.
- Close the cover panel.

Only when the filter is fitted correctly and the cover panel is closed can the condensed water system be sealed and the correct functioning of the tumble dryer be guaranteed.

### Cleaning the tumble dryer

Disconnect the machine from the mains electricity supply.


- Clean the housing, control panel and door seal with a slightly damp cloth and a mild detergent or soapy water.
- The drum and other stainless steel parts can be cleaned with a suitable proprietary stainless steel cleaner following the manufacturer's instructions.

**Do not** use solvents, abrasive cleaners, glass cleaners or all-purpose cleaners. These could damage plastic surfaces and other parts.



- Dry all parts with a soft cloth.

## Problem solving guide




With the help of the following notes, minor faults in the performance of the machine, some of which may result from incorrect operation, can be put right without contacting Miele. A call-out charge will be applied for unnecessary service visits where the problem could have been rectified as described in these Operating instructions. Please note:

 Repairs to electrical appliances should only be carried out by a suitably qualified and competent person in strict accordance with current local and national safety regulations. Repairs and other work by unqualified persons could be dangerous. The manufacturer cannot be held liable for unauthorised work.

### Fault messages in the display


Problem	Possible cause	Remedy
<b>You are asked to enter a code.</b>	Access via a code has been activated.	Enter the code (see "Settings menu").
 <b>Adjust the load</b> <b>The programme is cancelled and the buzzer sounds.</b>	This is not a fault. In some programmes, if the drum has been overloaded or underloaded, the programme will be cancelled. This can also happen if the items are already dry.	Use the <i>Warm air</i> programme to dry individual items. – Open and close the door.
 <b>Empty the container</b> <b>The programme is cancelled and the buzzer sounds.</b>	The condensed water container is full or there is a kink in the drain hose.	– Empty out the condensed water container or check the drain hose. To clear the display: – Switch the dryer off and then on again.

## Problem solving guide

Problem	Possible cause	Remedy
 Clean plinth filter appears at the end of a programme.	This is a reminder to clean the fine filter in front of the heat exchanger unit under running water.	<ul style="list-style-type: none"> <li>– Clean the fine filter. See chapter "Cleaning and care".</li> </ul> To clear the display: <ul style="list-style-type: none"> <li>– Press the <b>OK</b> button.</li> </ul>
 Fit plinth filter appears and a programme cannot be started.	<p>The fine filter is not in place or has been incorrectly fitted.</p> <p>The programme will be cancelled if the fine filter is removed while the machine is in operation.</p>	<ul style="list-style-type: none"> <li>– Fit the fine filter.</li> <li>– See chapter "Cleaning and care".</li> <li>– Switch the dryer off and then on again.</li> </ul>
 Technical fault	A programme cannot be started while there is a fault message in the display.	<ul style="list-style-type: none"> <li>– Note what is shown in the display.</li> <li>– Switch the dryer off and then on again.</li> <li>– If a programme still cannot be started, call Miele.</li> </ul>
<b>Extra cooling</b>	The programme has finished but the laundry is still cooling down.	You can remove the laundry and spread it out to allow the heat to dissipate, or leave it in the dryer to cool down more.



## Problem solving guide

Problem	Possible cause	Remedy *
 Clean out airways <b>appears after a programme is cancelled.</b> <b>The laundry is not completely dry.</b>	The cool air intake panel at the front of the dryer is covered, e.g. by a laundry basket.	<ul style="list-style-type: none"> <li>– Remove the laundry basket or other objects.</li> </ul>
	The temperature in the room has risen sharply. The drying programme has been interrupted by a cooling phase to protect the heat pump from overheating.	<ul style="list-style-type: none"> <li>– Open a door or window while the machine is in operation for increased air flow.</li> <li>– Start the programme again once the room has cooled down.</li> </ul>
	Too much fluff has accumulated.	Check and clean the surfaces of the fluff filters and the fine filter.  Carefully vacuum up any dust or lint on the cooling fins which may be causing a blockage from the heat exchanger unit at the bottom left (see "Cleaning and care").
<b>A prompt which has not been described previously appears in the display.</b>	A programme cannot be started while there is a fault message in the display.	<ul style="list-style-type: none"> <li>– Note what is shown in the display.</li> <li>– If a programme still cannot be started, call the Miele.</li> </ul>

**\* To delete the fault message: Switch the dryer off and then on again.**

## Problem solving guide



<b>An unsatisfactory drying result</b>		
<b>Problem</b>	<b>Possible cause</b>	<b>Remedy</b>
<b>The laundry is not sufficiently dry.</b>	The load consisted of different fabrics.	<ul style="list-style-type: none"><li>– Finish drying using the Warm air programme.</li><li>– Select a different programme next time*.</li></ul>
<b>Feather filled pillows smell after drying.</b>	Feathers are a natural product and this is quite normal.	The smell will dissipate after sufficient airing.
<b>Items made of synthetic fibres are charged with static electricity after drying.</b>	Synthetic fibres tend to attract static charge.	Static charge can be reduced by adding a fabric conditioner to the final rinse in the washing programme or a fabric conditioner sheet to the load when drying.
<b>There is a build-up of fluff.</b>	Fluff is principally the result of friction when garments are being worn and to some extent when they are being washed. Machine drying hardly causes any fluff to form and has no appreciable effect on the lifetime of the fabric.	Fluff is collected by the fluff filters and can be easily removed (see "Cleaning and Care").

\* You can alter the drying levels for some programmes (see "Settings menu").

Other problems		
Problem	Possible cause	Remedy *
<b>The drying process goes on too long or even switches off.</b>	Ventilation to and from the dryer may be insufficient (e.g. because it is installed in a small room). This has caused the temperature in the room to rise sharply.	Open a door or window while the machine is in operation for increased air flow.
	<ul style="list-style-type: none"> <li>– Detergent residue, hair and fine fluff may have blocked the fluff filters and fine filter.</li> <li>– The cooling fins may be blocked.</li> </ul>	<ul style="list-style-type: none"> <li>– Clean the fluff filters and fine filter.</li> <li>– Remove any fluff:  <ul style="list-style-type: none"> <li>. . . from the heat exchanger unit at the bottom left (see "Cleaning and care").</li> <li>. . . from the cooling fins behind the grille at the bottom right.</li> </ul> </li> </ul>
	The cool air intake panel (grille at bottom right) is covered.	Remove the laundry basket or other objects.
	The fluff filters and the fine filter were still wet when they were replaced.	The fluff filters and fine filter must be dry before being replaced.
	The laundry has not been spun sufficiently.	Make sure that your laundry is thoroughly spun at the appropriate spin speed in the washing machine.
	The tumble dryer has been overloaded.	Do not exceed the maximum load for the programme selected.
	Metallic components, e.g. zippers have prevented the dryer from registering the correct moisture level.	<ul style="list-style-type: none"> <li>– Open the zippers next time.</li> <li>– If the problem occurs again, dry garments with long zippers using the <i>Warm air</i> programme (timed drying).</li> </ul>

\* **Before starting a programme, switch the dryer off and then on again.**

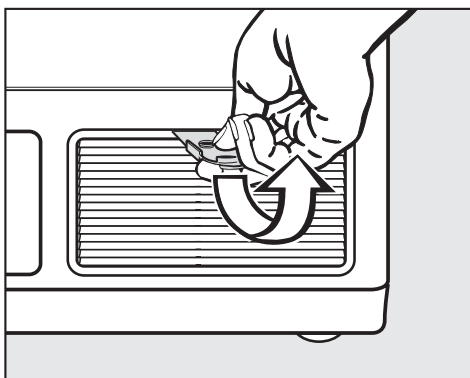
## Problem solving guide

Problem	Possible cause	Remedy
<b>There are humming noises.</b>	The compressor is operating.	None. These noises are quite normal and do not indicate a fault.
<b>The display is dark. The programme selector is not lit up. The <i>Start/Stop</i> button light flashes slowly.</b>	The display has switched off automatically to save energy (Standby mode). The light of the programme selector goes out when selecting <i>Settings</i>  .	The display will light up when one of the buttons is pressed.
<b>The <i>Start/Stop</i> indicator light flashes/does not flash.</b>	The flashing indicates that a programme can be started.	After the programme has started, the flashing will change to a constant light.
<b>A programme cannot be started.</b>	There is no immediate cause.	<ul style="list-style-type: none"> <li>– Is the dryer switched on?</li> <li>– Is the mains plug plugged in?</li> <li>– Is the door closed properly?</li> <li>– Has the fuse or circuit breaker tripped?</li> <li>– If you cannot remedy the problem, there is a fault. Call Miele.</li> </ul>
<b>Power cut.</b>	When power is restored to the tumble dryer after a power cut, the programme will continue automatically.	
<b>The display is in a different language.</b>	A different language has been selected.	Set the language you want. The <b>flag symbol</b>  will guide you.
<b>The interior drum lighting is not switched on.</b>	The lighting switches off automatically (to save energy).	<ul style="list-style-type: none"> <li>– Switch the dryer off and then on again.</li> <li>– If the lamp needs to be replaced, follow the instructions in "Changing the lamp" at the end of this section.</li> </ul>

### Cleaning the cooling fins (Grille at bottom right)

⚠ Generally, the cooling fins do not need to be cleaned. They should only be cleaned if excessive quantities of dust and lint are causing unusually long drying times.

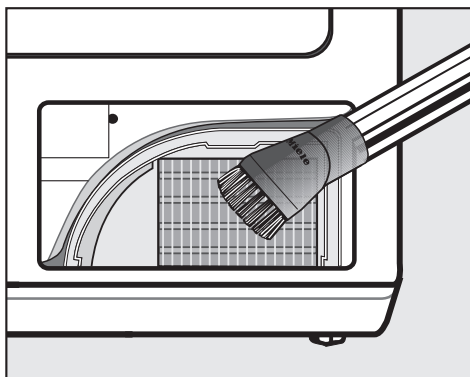
Use the yellow opener supplied to open the grille at the bottom right of the front of the tumble dryer.



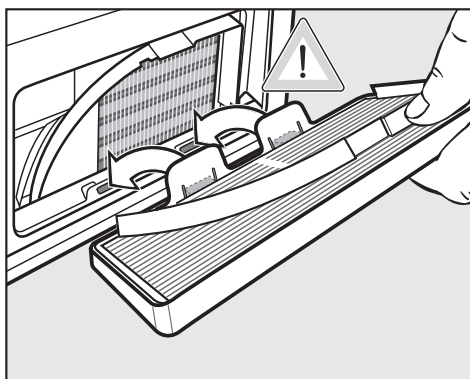
- Insert the opener in the top-centre of the grille and carefully lift the opener to pry open (see arrow) the grille.
- Now remove the grille by pulling it diagonally upwards.
- Check whether the cooling fins are blocked.

⚠ Danger of injury!  
Do not touch the cooling fins as they are very sharp and may cut your fingers.

⚠ To avoid damaging the cooling fins, run the vacuum cleaner (using dusting brush or crevice nozzle) lightly across them without pressure.



- **Carefully** vacuum up any dust or lint on the cooling fins which may be causing a blockage.



- Replace the grille by inserting at the bottom first.
- Then click it into position at the top.

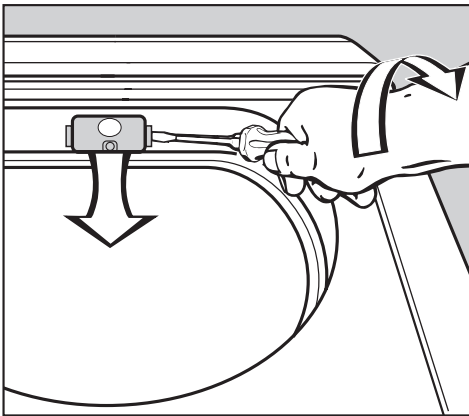
# Problem solving guide

## Changing the lamp

Disconnect the machine from the mains electricity supply.

- Open the door.

You will find the interior lamp cover at the top of the drum aperture.



- Insert a suitable tool, such as a wide bladed screwdriver, under the side edge of the lamp cover as illustrated.
- Apply a little pressure and, whilst doing so, turn your wrist in the direction of the arrow to open the cover.

The cover will open downwards.

The temperature resistant lamp should only be ordered from your Miele Chartered Agent or from Miele.

The lamp specification and maximum wattage are stated on the data plate and on the lamp cover.

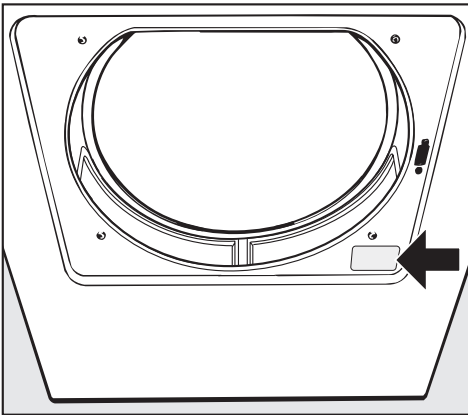
- Replace the lamp.
- To close the cover, push it upwards and press it on the left and right until you hear it click into position.

⚠ Ensure that it is fitted into position securely, as any moisture could cause a short circuit.

In the event of any faults which you cannot remedy yourself, please contact

- Your Miele Chartered Agent or
- Miele (see back cover for address).

When contacting Miele, please quote the model and serial numbers, both of which are located on the data plate situated on the right-hand side below the drum aperture.



### Future updates (PC)

The indicator or check light marked **PC** on the control panel is the interface used by the Miele service technicians during service work for testing purposes and for updating the machine's programme data.

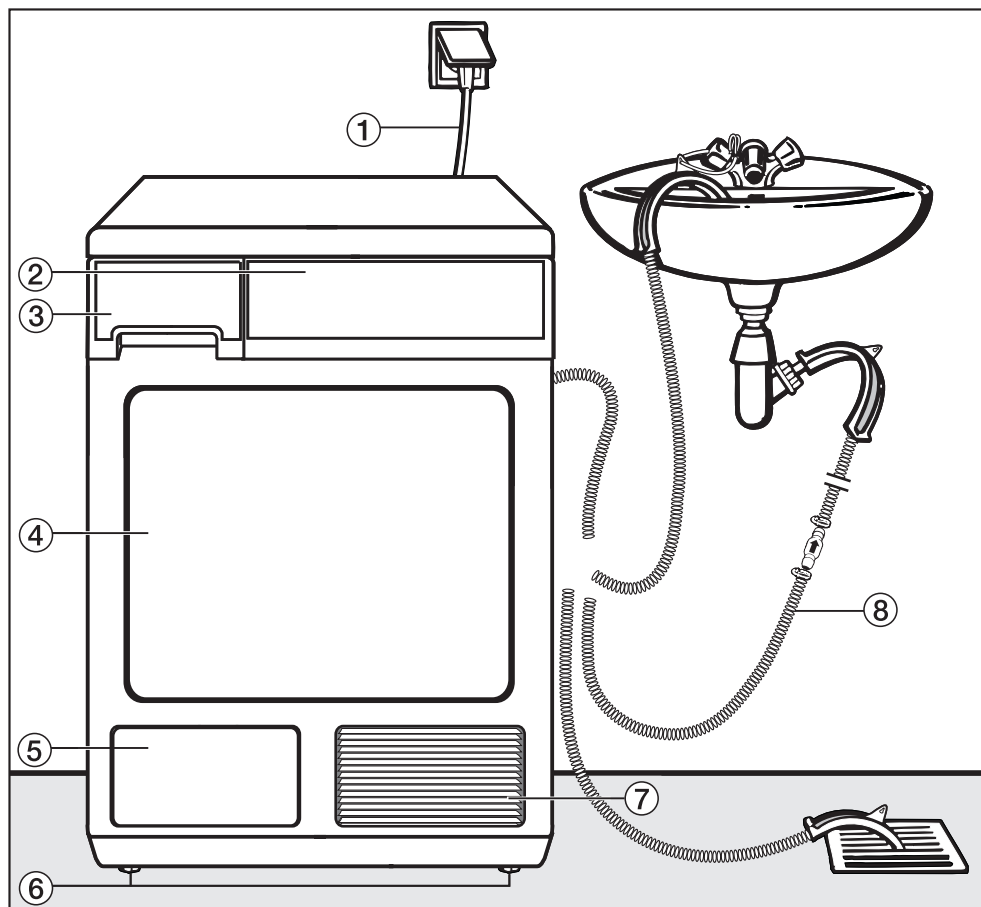
### Optional accessories

Optional accessories for these dryers are available from your Miele Chartered Agent or from Miele.

Please note that telephone calls may be monitored and recorded to improve our service.

# Installation and connection

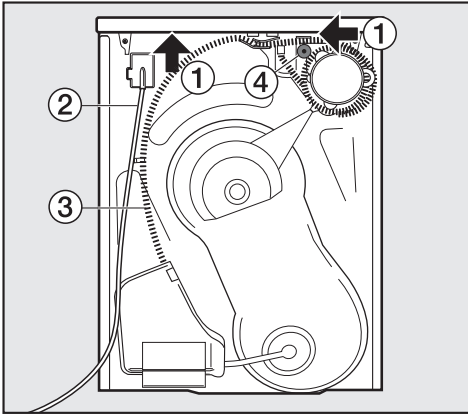
## Front view



- ① Mains connection cable
- ② Control panel
- ③ Condensed water container (empty after every drying programme)
- ④ Door
- ⑤ Fine filter cover panel (do not open during drying programme)
- ⑥ Four height adjustable screw feet
- ⑦ Cool air intake panel (do not block, e.g. with wash basket)
- ⑧ Hose for external drainage of condensed water (see "External condensed water outlet")




## Rear view




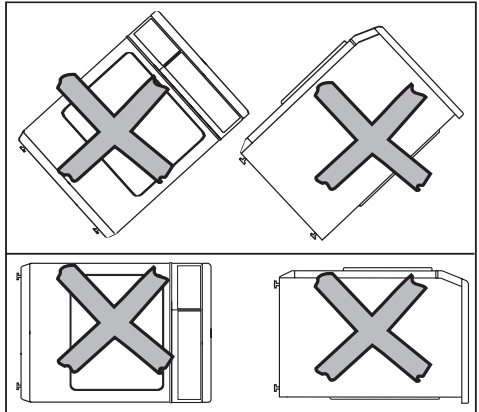
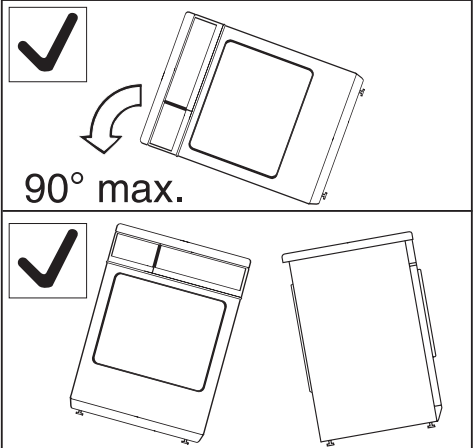
- ① Protruding lid for holding when moving the machine (see arrows)
- ② Mains connection cable
- ③ Hose for external drainage of condensed water
- ④ Accessories for connection to a sink drain outlet


## Transporting the dryer

When moving the dryer, hold it by the lid where it protrudes to the rear. To manoeuvre the machine out of its packing case to its installation site, hold it by the front feet as well as by the edge of the lid where it protrudes to the rear of the washing machine.

 Only transport the dryer as shown in the following illustrations.


 If transporting the dryer at an angle, only tip towards the left side.




 If the tumble dryer has not been transported as described, then it must be left to stand for at least 1 hour before it is connected to the electricity supply. Otherwise the heat pump can be damaged.


# Installation and connection

## Installation site

 The appliance must not be installed behind a lockable door, a sliding door or a door with a hinge on the opposite side to that of the tumble dryer, in such a way that a full opening of the tumble dryer door is restricted.

 The cool air intake panel at the front of the dryer must not be blocked or covered, e.g. by a laundry basket, as this would cause a fault.


### Building under a continuous worktop/in a row of kitchen units


 It is very important to avoid a build-up of heat. The warm air which is expelled from the rear of the dryer must be able to dissipate. Warm air which cannot dissipate could cause a fault.

A build-up of heat can be avoided by:

- Adjusting the screw feet so that there is a gap of at least 20 mm between the floor and the bottom of the dryer.
- Creating a gap for the dryer in the kitchen furniture plinth facing.
- Creating ventilation gaps in the kitchen unit.

N.B. When built under, drying times may be longer.

 The dryer should not be installed next to a refrigeration appliance. The warm air expelled from the rear of the dryer would increase the temperature around the refrigeration appliance's heat exchanger causing the compressor to run continuously. If it is not possible to install the dryer anywhere else, then the refrigeration appliance must be sealed off from the dryer.

 A **building-under kit** (Miele accessory, available to order) with a coverplate to replace the appliance's lid is required if building under a worktop. It must be fitted by a suitably qualified person to ensure electrical safety. The coverplate included in the building-under kit replaces the appliance's lid. It is necessary to fit the coverplate for electrical safety reasons.

- Fitting instructions are supplied with the conversion kit.
- N.B. When built under, drying times may be longer.
- The electrical socket must be located in an accessible position near the machine.

## Installation and connection

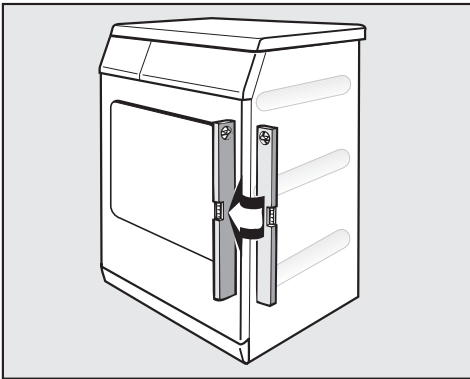
With niche heights of:

- 830-840 mm, longer screw feet\* are required.
- 870-885 mm / 915-930 mm, one or two raising kits\* are required.

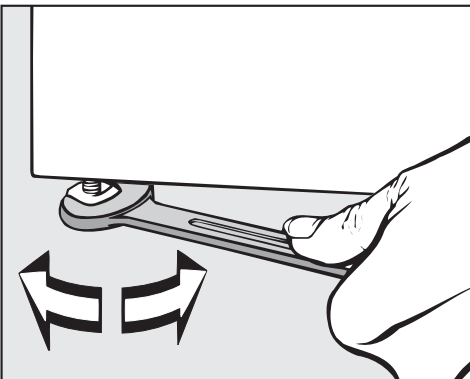
\* accessory available to order

N.B. If you wish to push the tumble dryer under a worktop and there is space to do this without removing the lid, the building-under kit is not necessary. Otherwise the building-under kit is essential.


### Levelling the machine



The machine must be perfectly level to ensure safe and proper operation.



- The screw feet can be adjusted to compensate for any unevenness in the floor.

 The gap between the tumble dryer and the floor must not be minimized by a plinth facing, high-piled carpets etc., as this would prevent sufficient ventilation.


### Before moving the tumble dryer again (e.g. when moving houses)

After each use a small quantity of condensed water will collect in the area around the pump. This water can run out if the tumble dryer is tipped up when it is being moved. It is a good idea to run the *Cool air* programme for approximately 1 minute before moving it. Any remaining condensed water will then be fed into the condensed water container or out through the drain hose.

### Washer-dryer stack

The tumble dryer can also be combined with a Miele washing machine in a washer-dryer stack. The appropriate "WTV" stacking kit\* to match your dryer is required.

\* accessory available to order

 Stacking kits must only be installed by a suitably qualified fitter.

# Installation and connection

## External condensed water outlet

### General notes

When drying is in progress, condensed water is pumped into the condensed water container through the drain hose at the back of the dryer. The condensed water can also be drained off directly if the machine is installed near a sink, drain outlet etc. so that the condensed water container does not have to be emptied.

Drain hose length . . . . . 1.50 m  
Maximum delivery head . . . . . 1.50 m  
Maximum drain hose length . . . . 4.00 m

**⚠** If the on-site water drainage system is not fitted with a non-return valve or an appropriate air gap, one must be fitted to prevent the risk of back-flow (See "Installation conditions requiring a non-return valve").

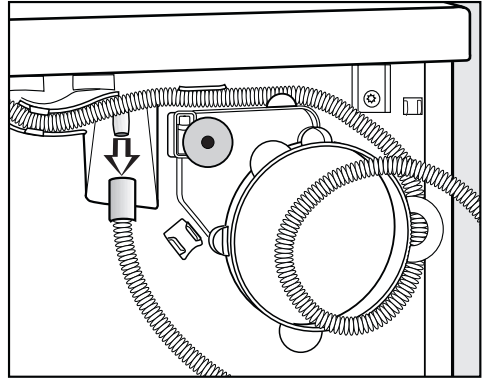
The following optional accessories are available:

- an extension hose
- a non-return valve kit for connection to an external condensed water outlet (includes an extension hose).  
Maximum delivery head with non-return valve fitted: 1.00 m

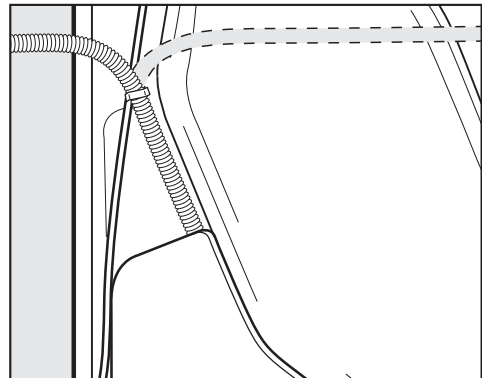
### Arranging the drain hose

**⚠** Do not pull on the drain hose and do not stretch it or allow it to become kinked as it could get damaged.

- There will be a small amount of residual water in the drain hose. Have a container ready to collect this.



- Pull the hose off its connection (see arrow).
- Allow any residual water to run into the container.
- Unwind the hose and pull it carefully out of the holders.




- Position the hose to the right or left-hand side as necessary.
- Leave the hose in the middle holder to prevent it from becoming kinked inadvertently.

## Installation and connection


### External drainage via a sink or gully

- See "Front view" illustration.

 If you want to drain the water off into a sink, you will need to secure the hose carefully, e.g. by tying it to a tap to make sure it cannot slip during use. Otherwise there is a risk of overflowing water which could cause damage.

- Use the bow-shaped guide to prevent the drain hose from becoming kinked.

### Installation conditions requiring a non-return valve

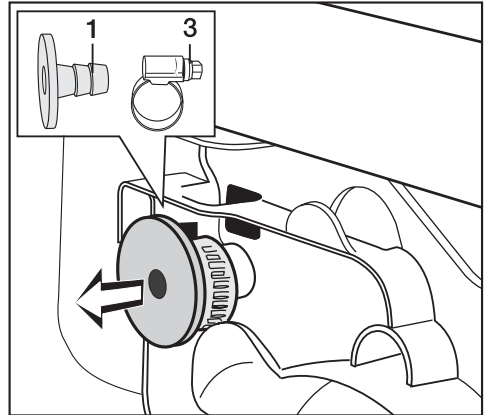
 Certain installation conditions require the fitting of a non-return valve (available as an optional accessory). A non-return valve will prevent the risk of back-flow out of the dryer which could cause damage.

A non-return valve is required:

- If the tumble dryer is connected to a sink drain outlet (see the following section).
- If the tumble dryer is connected to a drainage system **already in use** by another appliance, e.g. a dishwasher or washing machine.

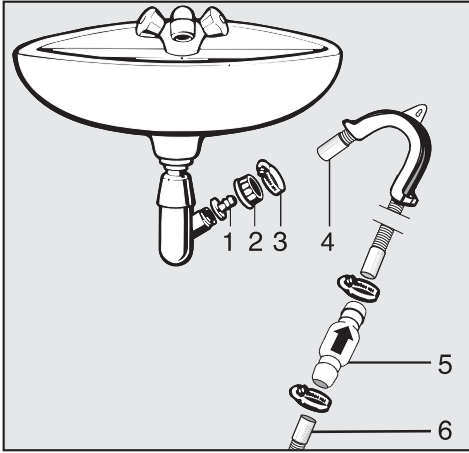
### Example: Connection to a sink drain outlet

The drain hose with non-return valve fitted can be connected directly to a suitable sink drain outlet.



- Remove the following from the back of the dryer at the top:  
Adapter **1** and hose clip **3** behind it.

## Installation and connection




- 1 Adapter
- 2 Nut
- 3 Hose clip
- 4 End of the hose
- 5 Non-return valve
- 6 Tumble dryer drain hose

- Fit adapter **1** to the sink drain outlet using nut **2**.

If this nut has a flat disc in it, you should take the disc out first.

- Attach the end of the hose **4** to adapter **1**.
- Use a screwdriver to tighten hose clip **3** up close to the nut.

 Non-return valve **5** has to be fitted with the arrow pointing in the direction of flow (i.e. towards the sink). Otherwise water will not drain out of the machine.

- Fit non-return valve **5** to the tumble dryer drain hose **6**, making sure it is fitted in the correct direction (see arrow on non-return valve).
- Secure the non-return valve using hose clips.

## Electrical connection

This tumble dryer is supplied ready for connection to an AC single phase supply. The machine is supplied with a mains cable with moulded plug.

The accessibility of the plug must be always ensured in order to separate the dryer from the mains.

The appliance should be connected up only by a qualified electrician, in accordance with national and local safety regulations.

For extra safety, it is advisable to install a residual current device (RCD) with a trip current of 30 mA.

The voltage, rated load and plug rating are given on the data plate. Please ensure that these match the household mains supply.

## Important

The wires in the mains lead are coloured in accordance with the following code:

Green/yellow = earth

Blue = neutral

Brown = live

As the colours of the wires in the mains lead of this appliance may not correspond with the coloured markings identifying the terminals in your plug, proceed as follows:

The wire which is coloured green and yellow must be connected to the terminal in the plug which is marked with the letter E or by the earth symbol  $\perp$  or coloured green or green and yellow.

The wire which is coloured blue must be connected to the terminal which is marked with the letter N or coloured black.

The wire which is coloured brown must be connected to the terminal which is marked with the letter A or coloured red.

**WARNING**  
**THIS APPLIANCE MUST BE**  
**EARTHED**

# Consumption data

	Load <sup>1</sup>	Final spin speed in a domestic washing machine	Residual moisture	Energy	Duration
	kg	rpm	%	kWh	min.
<b>Cottons Normal<sup>2</sup></b>	7.0	1000	60	1.80	123
<b>Cottons Normal</b>	7.0	1200	53	1.60	111
	7.0	1400	50	1.55	106
	7.0	1600	44	1.35	94
	7.0	1800	43	1.35	92
<b>Cottons Normal + Gentle tumble</b>	7.0	1000	60	1.90	130
<b>Cottons Hand iron<math>\Delta\Delta</math><sup>2</sup></b>	7.0	1000	60	1.35	94
<b>Cottons Hand iron<math>\Delta\Delta</math></b>	7.0	1200	53	1.20	82
	7.0	1400	50	1.10	77
	7.0	1600	44	0.95	66
	7.0	1800	43	0.90	64
<b>Minimum iron Normal<sup>2</sup></b>	3.5	1200	40	0.60	47
<b>Minimum iron Normal + Gentle tumble</b>	3.5	1200	40	0.65	49
<b>Minimum iron Hand iron</b>	3.5	1200	40	0.50	41
<b>Automatic plus Normal</b>	5.0	800	50	1.50	99
<b>Shirts Normal + Gentle tumble</b>	2.0	600	60	0.70	53
	2.0	600	60	0.75	59
<b>Gentle smoothing</b>	1.0	1000	60	0.35	30
<b>Proofing Normal</b>	2.0	800	50	1.25	85
<b>Denim Normal + Gentle tumble</b>	3.0	900	60	1.40	94
	3.0	900	60	1.45	99
<b>Express Normal</b>	3.5	1000	60	1.10	75
<b>Woolens</b>	2.0	1000	50	0.20	20

<sup>1</sup> Weight of dry laundry

<sup>2</sup> EN 61121:2005 test programme

All data was calculated using EN 61121:2005 unless otherwise stated.

## Note for test institutes:

Results based on European standards.

Before testing in accordance with EN 61121, dry a 3 kg load of cotton laundry with 70% residual moisture as per the above standard using the Cottons Normal programme without any Extra options.

**Consumption data can vary from the nominal values given above depending on the size of the load, types of textiles, residual moisture levels after spinning, fluctuations in the electricity supply and any Extra options selected.**



## Technical data

Height	850 mm	
Width	595 mm	
Depth	596 mm	
Depth with door open	1,071 mm	
Height for building under	820 mm Including building under kit. See "Installation and connection"	
Width for building under	600 mm	
Depth for building under	600 mm	
Suitable for pushing under a worktop	Yes	
Suitable for stacking	Yes	
Weight	69 kg	
Drum volume	111 l	
Maximum capacity	1-7 kg dry weight	
Capacity of condensed water container	approx. 4.2 l	
Drain hose length	1.5 m	
Maximum delivery head	1.5 m	
Maximum drain hose length	4 m	
Length of connection cable	2 m	
Voltage		
Rated load		
Fuse rating		See data plate
Lamp wattage		
Test certificates awarded		
Energy consumption	see "Consumption data"	

## Settings menu

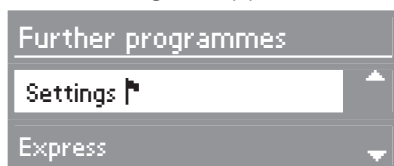
---

The Settings menu is used to alter the dryer's electronics to suit different requirements. Settings can be altered at any time.

### To open the Settings menu

- Switch the dryer on.
- Select: *Further programmes/Settings*

The following will appear in the display:



- Confirm the selection of the highlighted *Settings* option by pressing the **OK** button.

### To select a setting

- Press the  $\nabla$  or  $\blacktriangle$  button to scroll through the options until the setting you want is highlighted.
- Confirm your selection by pressing the **OK** button.
- A tick  $\checkmark$  or a bar beside an option indicates that it is currently selected.
- Use the  $\nabla$  or  $\blacktriangle$  button to highlight the option you want to select.
- Confirm your selection by pressing the **OK** button.

### To close the Settings menu

- Select *Back* or select a programme.

## Language

The display can be set to appear in one of several different languages.

You can change the language via the Language sub-menu.

The flag after the word *Language* acts as a guide to prevent a language which will not be understood from being set.

## Time

First select either a 24-hour or 12-hour clock. Then set the current time of day.

### Clock format

- Use the  $\nabla$  or  $\blacktriangle$  button to highlight the clock format you want and confirm your selection with the **OK** button.

### To set the time of day

- Set the hour with the  $\nabla$  or  $\blacktriangle$  button and confirm by pressing the **OK** button.
- Then set the minutes with the  $\nabla$  or  $\blacktriangle$  button and confirm by pressing the **OK** button.

## Drying levels

You can alter the drying levels for the *Cottons*, *Minimum iron* and *Automatic plus* programmes.

The bars ■■■■■■■■ show you which level is set.

Factory default: a medium setting.

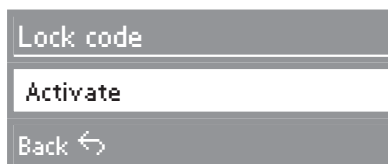
- Drier: the programme duration is longer.
- Damper: the programme duration is longer.

## Lock code

The code prevents the dryer being used without your knowledge.

When the code has been activated, you have to enter a code after switching the dryer on. Otherwise the dryer cannot be operated.

### To activate the lock code



- Press the **OK** button.

The display will now request that a code is entered. The code is **250** and cannot be altered.

### To enter the lock code



- Use the  $\wedge$  button to enter the first number. Confirm your selection of this number by pressing the **OK** button. Now enter the second number.
- Repeat the process until all three numbers have been entered and confirm your entry of the last number by pressing the **OK** button.

# Settings menu

---

The following will appear in the display:



Once the tumble dryer is switched off, it can only be used again if the lock code is entered.

## To use the dryer when the lock code is activated

When the tumble dryer is switched on again, the display will request the code.

- Enter code 250 as described above and confirm the entry.

The dryer is now unlocked and ready for use.

## To deactivate the code

Proceed as for activating the code.

## Buzzer

The buzzer has two volumes.

### Normal (Factory default setting)

The buzzer sounds at the end of a programme.

### Loud

The buzzer sounds at maximum volume at the end of a programme.

## Keypad tone

An audible tone sounds each time a button is pressed.

Factory default: Off.

## Contrast

## Brightness

There are ten different display contrast and display brightness settings.

The bars ■■■■■■■■■■ show you the level which is set.

Factory default: a medium setting.

If you make an alteration it will appear in the display immediately.

## Standby Display

To save energy, the indicator lights and the display go out and the indicator light for the *Start/Stop* button starts flashing slowly.

### To come out of standby mode

- Press any button.  
This will have no effect if a programme is running.

### **On**

The standby function is activated.

The indicator lights and the display will go out after 10 minutes,

- if a programme is not selected after the dryer has been switched on.
- after a programme has started.

However, the display will switch on for 10 minutes at the beginning of the anti-crease phase or at the end of the programme.

The buzzer (if selected) will sound for 10 minutes at the end of the programme.

### **Not in current programme**

(Factory default)

As described under "On" above. However, the indicator lights and display do not go out 10 minutes after the programme has started but remain visible during the programme.

## Memory

The electronics will memorise the drying level and some of the Extra options selected for the current drying programme and the duration of a timed drying programme.

When the programme is chosen again, these settings will appear in the display.

### **Off**

(Factory default)

### **On**

## Anti-crease

Anti-crease helps prevent creasing, if laundry is not normally removed immediately after the end of a programme.

After the programme has finished, the drum will continue to rotate at intervals for:

### **2 hours**

(Factory default)

### **1 hour.**





**Miele Australia Pty. Ltd.**

ABN 96 005 635 398

**Head Office Melbourne:**

1 Gilbert Park Drive  
Knoxfield, VIC 3180

**Miele Gallery and Office Melbourne:**

208-210 Coventry Street  
South Melbourne, VIC 3205

**Miele Gallery and Office Sydney:**

3 Skyline Place  
Frenchs Forest, NSW 2086

**Miele Gallery and Office Brisbane:**

39 Harvey Street North  
Eagle Farm, QLD 4009

**Miele Gallery and Office Adelaide:**

83-85 Sir Donald Bradman Drive  
Hilton, SA 5033

**Miele Gallery and Office Perth:**

205-207 Stirling Highway  
Claremont, WA 6010



**[www.miele.com.au](http://www.miele.com.au)**



**Miele**

**Miele New Zealand Limited  
Miele Gallery and Head Office**

Unit L, 10-20 Sylvia Park Road  
Mt. Wellington, 1060, Auckland  
New Zealand  
Telephone: 0800 264 353  
[www.miele.co.nz](http://www.miele.co.nz)

**Miele Global Headquarters  
Germany**

**Miele & Cie. KG**  
Carl-Miele-Straße 29  
33332 Gütersloh  
Federal Republic of Germany