

- **"IMPORTANT": "INSTALLATION HEIGHTS IN AUSTRALIA"**
 - 1) Where an Electric Cooktop is installed under this Rangehood **THE MINIMUM DISTANCE** between the Top of the Cooktop and the underside of the Rangehood - **MUST BE 60cm and the maximum 70 cm.**
 - 2) When this Rangehood is installed over a Gas fuelled Cooktop **THE MINIMUM DISTANCE** between the Top of the Pot rests and the underside of the Hood - **MUST BE 65cm and the maximum 75 cm.**
- **FOR INSTALLATION OVER A GAS RANGE OR GAS COOKING HOB A DIFFERENT SPECIFIC MINIMUM HEIGHT REQUIREMENT MAY BE REQUIRED BY THE RELEVANT GAS AUTHORITIES.**
- **IF THE SUPPLY CORD IS DAMAGED, IT MUST BE REPLACED BY THE MANUFACTURER OR ITS SERVICE AGENT OR A SIMILARY QUALIFIED PERSON IN ORDER TO AVOID A HAZARD.**
- **THE APPLIANCE IS NOT INTENDED FOR USE BY YOUNG CHILDREN OR INFIRM PERSONS WITHOUT SUPERVISION.**
- **YOUNG CHILDREN SHOULD BE SUPERVISED TO ENSURE THAT THEY DO NOT PLAY WITH THE APPLIANCE.**
- **DO NOT USE THE RANGEHOOD LIGHTS AS A NIGHT LIGHT.**
- **MOST OMEGA-SMEG RANGE HOODS ARE FITTED WITH A METAL WASHABLE GREASE FILTER. CLEANING CAN BE ATTENDED BY HAND, OR PER DISHWASHER.**
SHOULD YOUR MODEL BE FITTED WITH A FIBRE GREASE FILTER, THIS CAN BE WASHED AND REUSED UNTIL IT DELAMINATES, AT WHICH TIME IT SHOULD BE REPLACED.



INSTRUCTIONS FOR INSTALLATION AND USE

DESCRIPTION

The hood may be in the filtering or the ducting version.

Filtering version (Fig. 1): The hood aspirates the kitchen air saturated with fumes and odours, purifies it through the grease filters and charcoal filter and returns clean air into the room. For constant efficiency, the charcoal filter must be replaced periodically. The charcoal filter is not supplied.

Ducting version (Fig. 2): The hood aspirates the kitchen air saturated with fumes and odours, passes it through the grease filters and expels it to the outside through an outlet pipe. With this version the charcoal filter is not required. Decide from the outset on the type of installation (filtering or ducting). For greater efficiency, we recommend you install the hood in the ducting version (if possible).

INSTALLATION

ATTENTION: Two persons are required for proper installation; the unit should be installed by a qualified operator.

Remove the grease filters before proceeding with the assembly instructions. This will make the appliance easier to handle.

1. **Removal of grease filters:** Fig. 3: push the stop towards the rear of the appliance and turn the filter outwards.

INSTALLATION IN DUCTING VERSION: Before fixing, the outlet pipe for air evacuation to the outside must be installed. Use an outlet pipe with: – minimum indispensable length; – minimum possible bends (maximum angle of bend: 90°); – certified material (according to the State); – an as smooth as possible inside. It is also advisable to avoid any drastic changes in pipe cross-section (recommended diameter: 150 mm). For air evacuation to the outside, follow all the other instructions given on the "Warnings" sheet. Prepare the power supply within the telescopic chimney (for the electrical connection, follow all the other instructions on the "Warnings" sheet).

2. **Fixing to the wall:** Draw a line on the wall in vertical line with your hob. Mark the first 2 holes to be drilled in the wall, respecting the distances indicated in Fig. 4. Drill the 2 holes and fit the screw anchors provided. As already specified on the "Warnings" sheet, bear in mind that the distance between the lower edge of the hood and the hob must be min. 650 mm. Fix the metal bracket (A) to the wall using the 2 holes just drilled (Fig. 5); the screws for fixing the bracket are provided. Use the 2 cut-out triangles on the bracket to position it exactly along the vertical axis of the hood. Hang the hood on the bracket (Fig. 6). Adjust the horizontal position moving the hood to the right or left so that it is aligned with the wall units. If you also need to adjust the hood in height, operate on the adjusting screws (B) provided. When adjustment has been completed, without removing the hood, mark the other 4 holes to be drilled (C) in the wall. Remove the hood and drill the holes marked (8 mm diameter). Then use the 4 screw anchors and the 4 screws provided for final fixing.

3. **Flange assembly:** set the flange (E) over the motor and press slightly (Fig. 7).

4. **Fixing the telescopic flues:**

4a - Adjust the width of the support bracket (D) of the telescopic flue by means of the screws (E) as shown in Fig. 8; then, by means of the screw anchors and screws (F) provided, fix the bracket to the ceiling in such a way that it is positioned along the axis with your hood.

4b - Connect the air outlet pipe to the air vent of the hood. - Use a flexible pipe and lock it to the air vent of the hood with a metal hose clamp - Fig. 9 (pipe and clamp are not provided). - For exhaust hoods, turn the upper flue over so that the air exhaust grid is in the lower section (Fig. 10).

4c - Plug in the hood. Insert the extension flues setting them on the hood; extend the upper flue to the ceiling and secure with the 2 screws (H) - Fig. 11.

INSTALLATION IN FILTERING VERSION: Prepare the power supply within the telescopic flues (for the electrical connection, follow all the other instructions on the "Warnings" sheet).

Fixing to the wall: for fixing to the wall refer to the instructions for the ducting version (see points 2 and 3), then continue with the instructions below.

Fixing the telescopic flues: - Adjust the width of the support bracket (D) of the telescopic flue by means of the screws (E) as shown in Fig. 8. - Then, by means of the screw anchors and screws (F) provided, fix the bracket to the ceiling in such a way that it is positioned along the axis with your hood. - Mount the flange on the hood in correspondence to the air outlet point (Fig. 12). - Take the air baffle and fit a flexible pipe to it (125 mm diameter) locking it with a metal hose clamp (pipe and clamps are not provided). Fit the air baffle to the upper flue (Fig. 13) with 4 screws.

- Connect the flexible pipe to the flange on the air vent (Fig. 14). - Plug in the hood. Insert the extension flues setting them on the hood; extend the upper flue to the ceiling and secure with the 2 screws H (Fig. 11). - Install the charcoal filter fitting the two filter clips in their housings (Fig. 15) and turning the filter upward.

OPERATION

Controls (Fig. 16):

Button A: light switch.

Button B: first speed motor ON/OFF switch.

Button C: second speed motor ON/OFF switch.

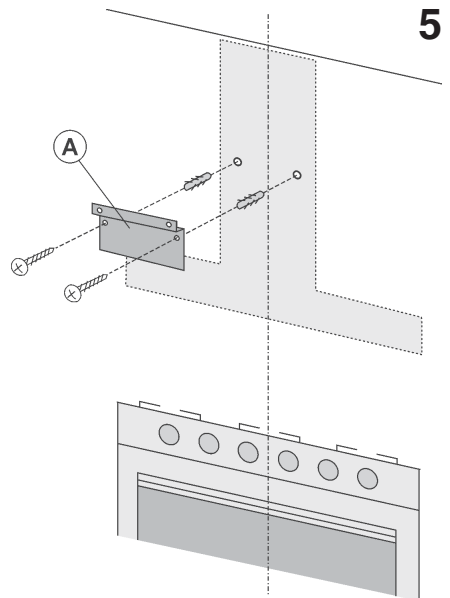
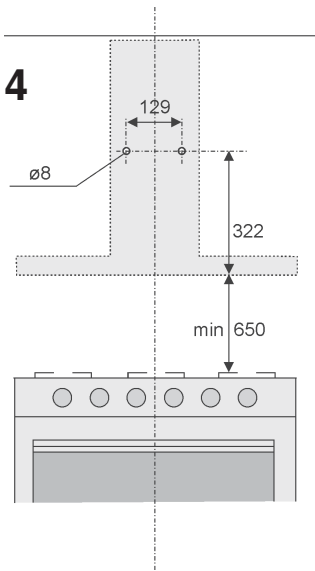
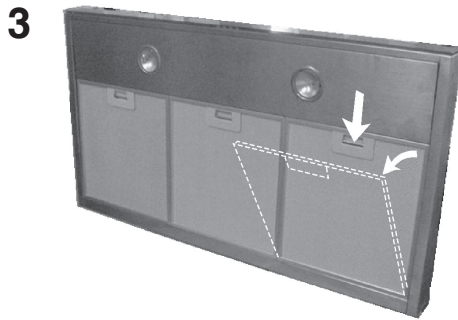
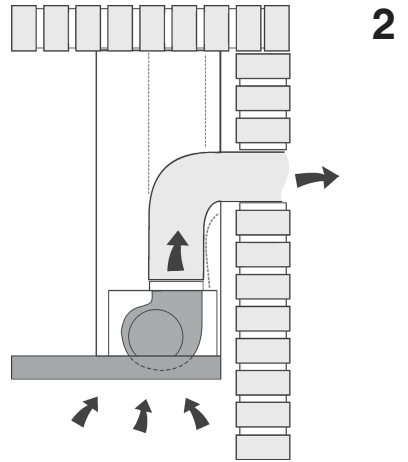
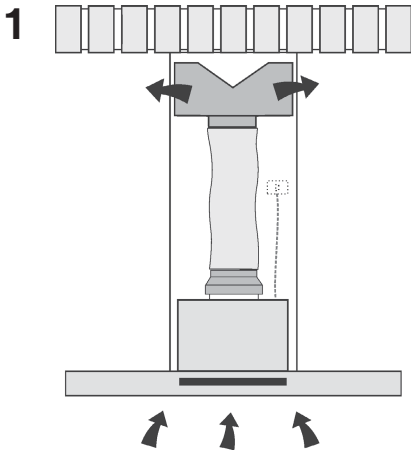
Button D: third speed motor ON/OFF switch.

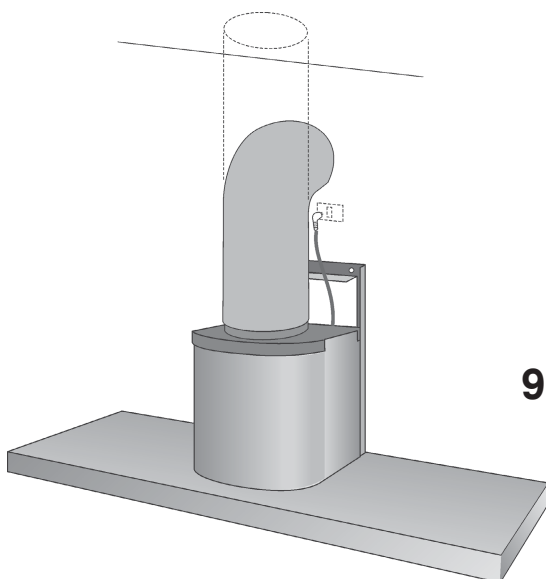
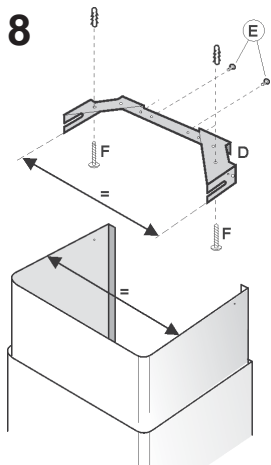
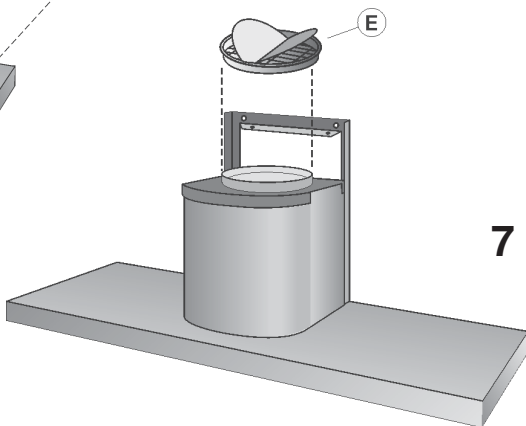
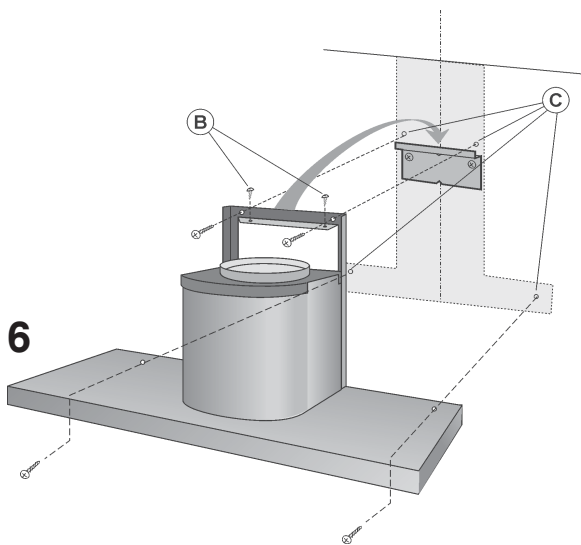
E: motor on light.

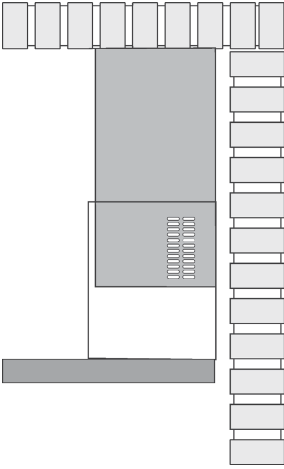
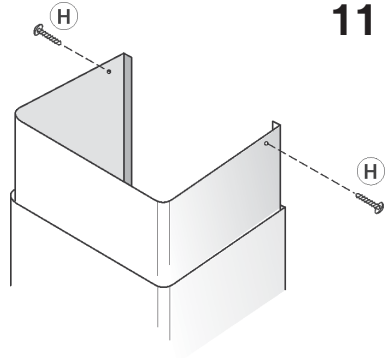
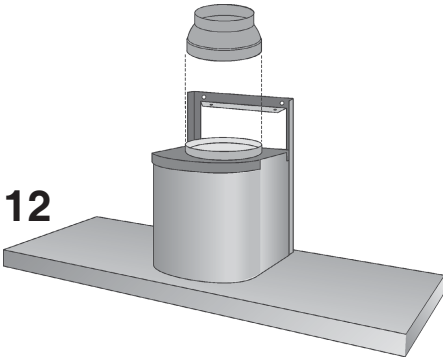
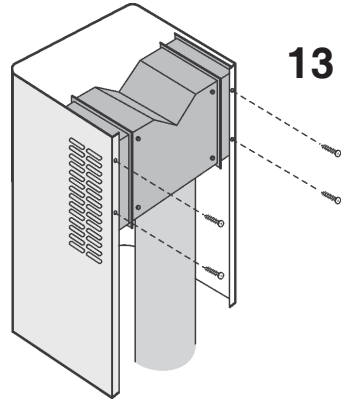
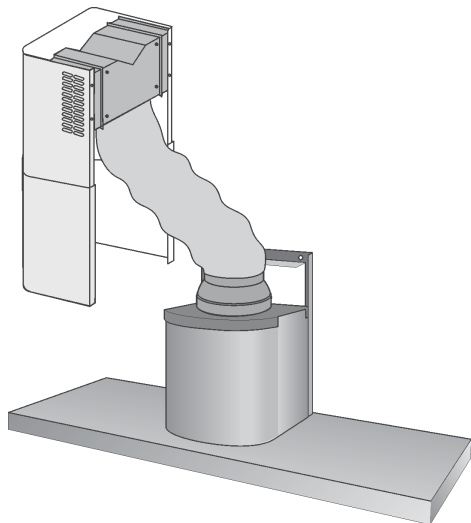
Pay special attention to the **grease filters**: the grease filters must be replaced periodically: exactly how often depends on use (at least once every other month). To remove the filter: push inward on the clamp at the handle and pull the filter downward. Wash out the filter using a neutral soap.

Replacing the charcoal filter: If the unit is a filtering hood, the charcoal filter must be replaced: to remove them press inward on the clamp (Fig. 15) and rotate the filter downward until the 2 tabs can be removed from the housing. the charcoal filters must be replaced according to use: on the average once every 6 months.

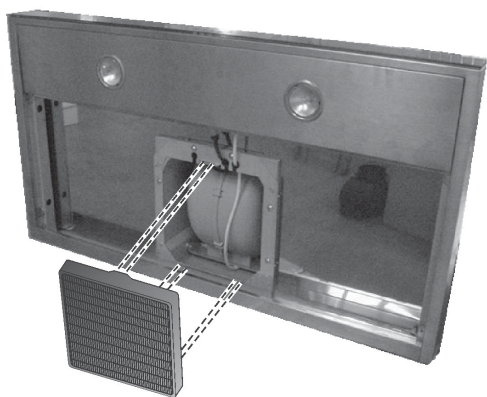
Lighting: to change the **halogen bulbs** open the cover levering from the proper slots (Fig. 17). Replace with bulbs of the same type.



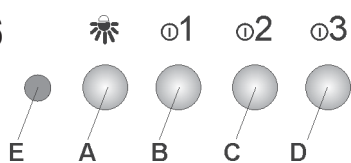


10**11****12****13****14**

15



16



17

