



# Multi 20 Multi 30

User manual



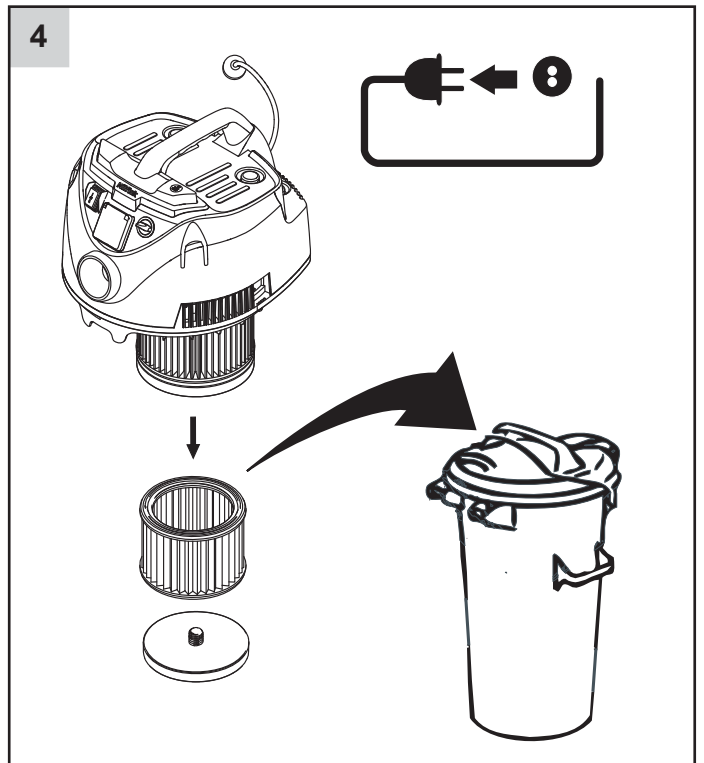
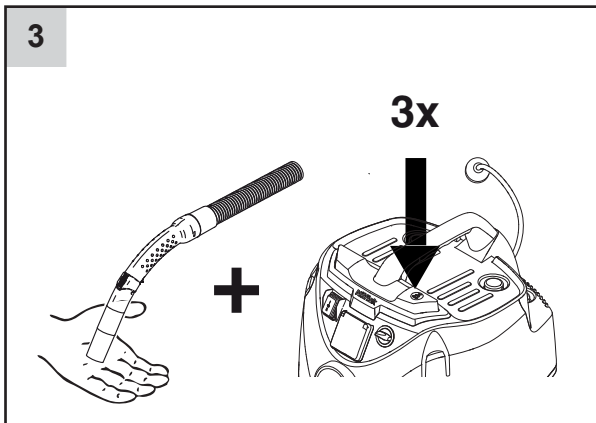
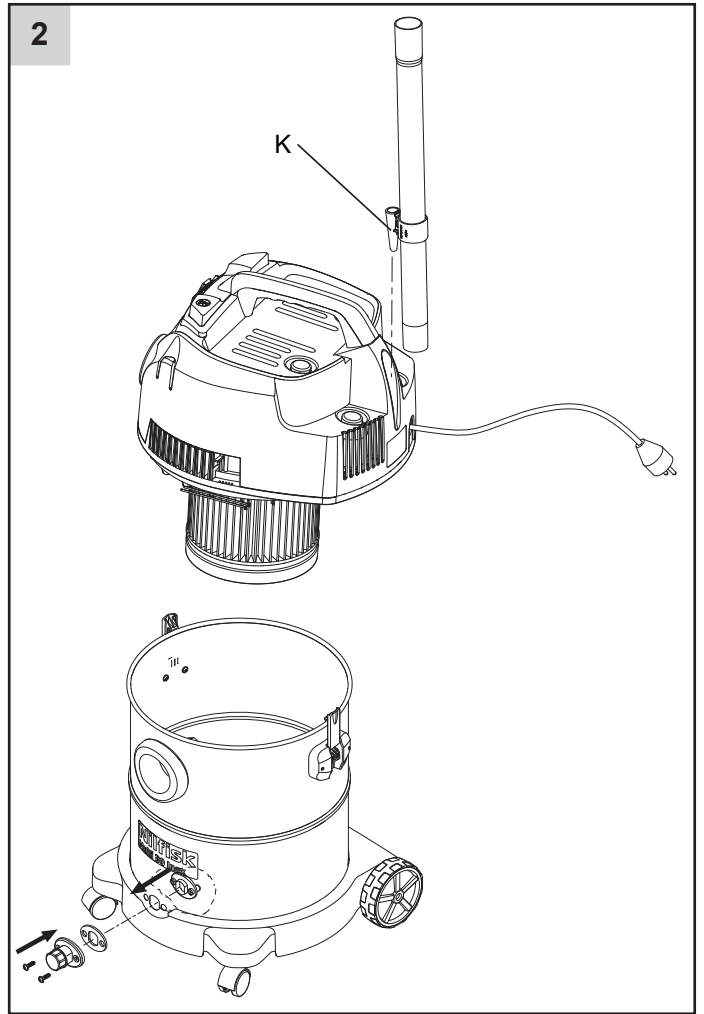
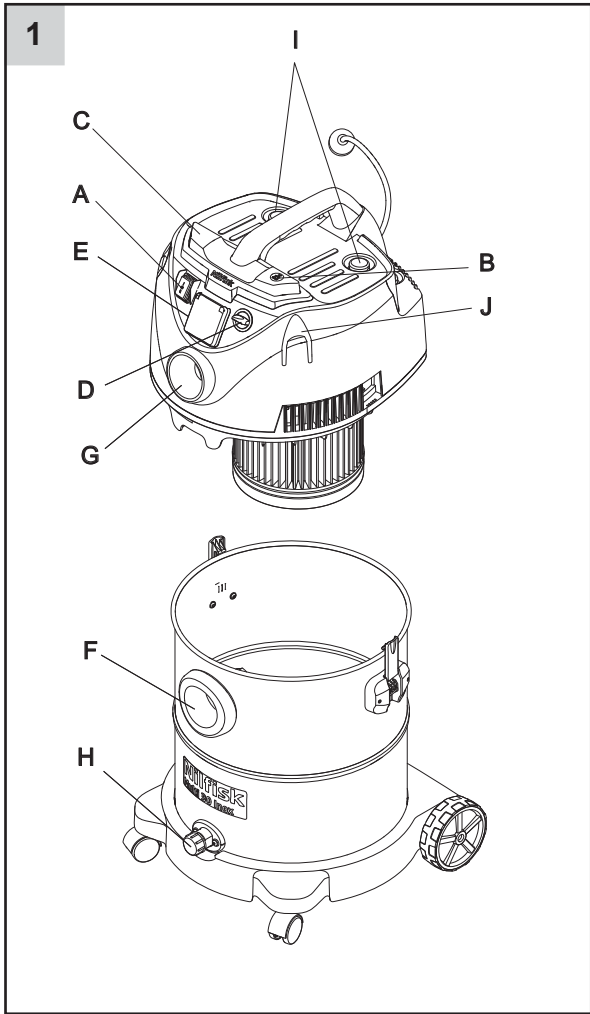
**Nilfisk**



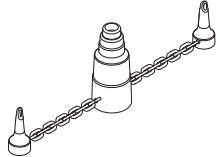
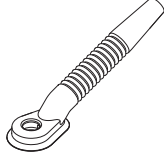

# Nilfisk

## Multi

English.....	6 - 9
Deutsch .....	10 - 13
Français.....	14 - 17
Español.....	18 - 21
Português .....	22 - 25
Italiano .....	26 - 29
Nederlands .....	30 - 33
Svenska.....	34 - 37
Norsk .....	38 - 41
Dansk .....	42 - 45
Suomi .....	46 - 49
Ελληνικά .....	50 - 53
Türkçe.....	54 - 57
Čeština .....	58 - 60
Slovenski .....	61 - 64
Magyar.....	65 - 68
Română.....	69 - 72
български.....	73 - 76
Polska.....	77 - 80
Slovenskému .....	81 - 84
Россию .....	85 - 88
Eesti.....	89 - 92
Lietuvos .....	93 - 96
Latvijā .....	97 - 100
中国的.....	101 - 104



Optional accessories - Optionales Zubehör - Accessoires en option - Accesorios opcionales - Acessórios opcionais - Accessori opzionali - Optionele accessoires - Valfria tillbehör - Valgfritt tilbehør - Ekstra tilbehør - Lisävarusteet - Προαιρετικά εξαρτήματα - İsteğe bağlı aksesuarlar - Volitelné příslušenství - Dodatki - Választható tartozékok - Accesorii opționale - Дополнителни аксесоари - Akcesoria opcjonalne - Doplnkové príslušenstvo - Дополнительные принадлежности - Valikulised tarvikud - Atskirai užsakomi priedai - Izvēles piederumi - 选购配件

107402483	Blow nozzle kit	
107402478	Wall drill kit	
107402336	Dust bag 4 pcs.	

EN

**Dear Nilfisk customer**

Congratulations on the purchase of your new Nilfisk vacuum cleaner.

DE

FR

Prior to using the appliance for the first time, be sure to read this document through and keep it ready to hand.

ES

PT

IT

NL

SV

NO

DA

FI

EL

TR

CS

SL

HU

RO

BL

PL

SK

RU

ET

LT

LV

ZH

**Purpose and intended use**

The vacuum cleaner is suitable for private use, e.g. for household, hobby workshops, car cleaning - sucking up non-hazardous dust and non-flammable liquids.

**Symbols used to mark instructions****WARNING**

Danger that can lead to serious injuries and damage.

**Important warnings****WARNING**

- No changes to the mechanical, electrical or thermal safety devices must be made.
- This appliance can be used by children aged from 8 years and above and persons with reduced physical, sensory or mental capabilities or lack of experience and knowledge if they have been given supervision or instruction concerning use of the appliance in a safe way and understand the hazards involved.
- Children shall be supervised to make sure that they do not play with the appliance.
- Cleaning and user maintenance shall not be made by children without supervision.
- Never spray water on the upper section of the vacuum cleaner. Danger for persons, risk or short-circuiting.
- Never use the vacuum cleaner if the filter is damaged.
- The vacuum cleaner features a blow function. Do not blow the air out in the open space. Only use the blow function with a clean tube. Dust may be harmful to health.

**Hazardous materials****WARNING**

Vacuuming up hazardous materials can lead to serious or even fatal injuries.

The following materials must not be picked up

by the vacuum cleaner:

- hazardous dust
- hot materials (burning cigarettes, hot ashes etc.)
- flammable, explosive, aggressive liquids (e.g. petrol, solvents, acids, alkalis, etc.)
- flammable, explosive dust (e.g. magnesium or aluminium dust etc.)

**Electrical connection****WARNING**

- Before using the vacuum cleaner make sure that the voltage shown on the rating plate of the vacuum cleaner corresponds to the voltage of the local mains power supply.
- It is recommended that the vacuum cleaner should be connected via a residual current circuit breaker.
- The vacuum cleaner must not be used if the electrical cable or plug shows any sign of damage. Regularly inspect the cable and the plug for damage. If the power cord is damaged, it must be replaced by Nilfisk Service or an electrician to avoid danger before use of the vacuum cleaner is continued.
- Do not handle the electrical cable or plug with wet hands.
- Do not unplug by pulling on cable. To unplug, grasp the plug, not the cable. The plug must always be removed from the socket outlet before starting any service or repair work of the machine or cable.

**Maintenance**

Always remove the electric plug from the socket before carrying out maintenance work on the machine.

**Recycling the vacuum cleaner**

The packaging materials can be recycled. Please recycle the components instead of throwing them in your household rubbish. You can also leave the packaging directly at your Nilfisk location to be properly recycled from there.

As specified in European Directive 2002/96/EC on old electrical and electronic appliances, used electrical goods must be collected separately and recycled ecologically. Contact your local authorities or your nearest dealer for further information.

## Warranty

Nilfisk guarantees vacuum cleaners for domestic use for 2 years. If your vacuum cleaner or accessories is/are handed in for repair, a copy of the receipt must be enclosed.

Guarantee repairs are being made on the following conditions:

- that defects are attributable to flaws or defects in materials or workmanship. (wear and tear as well as misuse are not covered by the guarantee).
- that the directions of this instruction manual have been thoroughly observed.
- that repair has not been carried out or attempted by other than Nilfisk-trained service staff.
- that only original accessories have been applied.
- that the product has not been exposed to abuse such as knocks, bumps or frost.
- that the vacuum cleaner has not been used for rental nor used commercially in any other way.

Batteries, lamps and wearing parts are excluded from the warranty.

In the event of defects arising during the duration of the warranty and of which Nilfisk is given notice, Nilfisk will, of their own choice, either repair the defects, replace the unit or refund the purchase price upon return of the unit. Opening the unit housing causes the warranty to become void. Further claims may not be made on the basis of the warranty. The statutory warranty rights of the customer remain unaffected. Manufacturer warranty claims shall be made to the manufacturer. Statutory warranty rights also remain unaffected in this case.

### Addendum Australia:

Our goods come with guarantees that cannot be excluded under the Australian Consumer Law. You are entitled to a replacement or refund for a major failure and for compensation for any other reasonably foreseeable loss or damage. You are also entitled to have the goods repaired or replaced if the goods fail to be of acceptable quality and the failure does not amount to a major failure.

Nilfisk vacuum cleaners for domestic use are warranted for 2 years from the date of purchase by:

Nilfisk-Advance Pty Ltd  
Unit 1/13 Bessemer Street  
Blacktown NSW 2148  
Phone: 1300 556 710  
E-mail: sales@nilfisk.com.au

Find your local service agent here:  
<http://www.nilfisk.com.au>.

The benefits under this warranty are in addition to your national law of sale.

## Picking up liquids

Before liquids are picked up, always remove the filter bag. Insert filter for wet operation. Check that the float works properly. If foam develops or liquid emerges from the machine, stop work immediately and empty the dirt tank.

## Connecting electrical appliances

Use the socket on the vacuum cleaner for the purpose defined in the operating instructions only. Before plugging an appliance into the appliance socket:

1. Switch off the vacuum cleaner.
2. Switch off the appliance to be connected. **CAUTION!** Follow the operating instructions and safety instructions for appliances connected to the power tool socket. Always unwind the cable of the vacuum cleaner completely before use.

The power consumption of the connected appliance must never exceed the value stated on the type plate of the vacuum cleaner.

The operating voltage shown on the rating plate must correspond to the voltage of the mains power supply.

## Parts identification (ref. illu. 1&2, page 4)

- A. On/off switch
- B. Filter cleaning
- C. Cable rewind\*
- D. Speed regulation\*
- E. Connection of powertool\*
- F. Connection of suction hose
- G. Connection to blow function
- H. Water drain\*
- I. Accessory storage
- J. Hose and cable storage
- K. Quick park

\* Varies depending on model.

EN

## Technical specifications

Model	Multi 20		Multi 30	
	CR INOX	T (CR / Inox) T VSC (CR / INOX)	CR INOX	T (CR / INOX) T VSC (CR / INOX)
Voltage (V)	220 - 240		220 - 240	
PIEC (W)	1150 (ZA 1200)		1150 (ZA 1200)	
Pmax (W)	1400		1400	
Power socket max (W)	NA	EU, AU/NZ: 2000 GB: 1800 CH: 1100 CN: 1050	NA	EU, AU/NZ: 2000 GB: 1800 CH: 1100 CN: 1050
IP	X4			

DE

FR

ES

PT

IT

NL

SV

## Operation instructions

### Switching on the vacuum cleaner

On/Off - position "A" (ref. page 7)

Switch "0-I"

I 0	Switch position	Function
	I	On
0	Off	

Switch "I-0-II", auto function

I 0 II	Switch position	Function
	I	On
0	Off	
II	Powertool Auto on/Off	

### Filter Clean (ref. illu. 3, page 4)

When the suction performance drops:

1. Connect the power supply.
2. Turn the speed regulation to "max" (ref. page 7) (depending on model).
3. Close the suction hose opening with the palm of your hand.
4. Make a hard/fast push to the **Filter clean** button (ref. pos. "B" page 7). Repeat pushing 3 times. The resulting stream of air cleans the filter.

### Cable rewind function

1. Disconnect the power supply. Always clean cable before rewind using a wet/damp cloth.
2. Rewind the cable using the cable rewind button (ref. pos. "C" page 7).

## WARNING



When activating the automatic cord rewind, care must be taken as the plug at the end of the cord can swing during the last part of the rewinding. It is recommended that you hold on to the plug while rewinding.

### Filter change (ref. illu. 4, page 4)

1. Disconnect the power supply.
2. Turn the filter disc counter-clockwise. Carefully remove the filter and check it for damages. Replace the filter if necessary and dispose the filter according to legal regulations. Using wet and dry filter, clean the filter by compressed air (keep proper distance in order not to damage the filter with the air stream) or rinse in water. Dry filter before use.
3. Carefully clean the filter sealing areas, mount the filter and tighten the filter clockwise.

### Changing filter bag

1. Disconnect the power supply.
2. Carefully remove the filter bag from the container and close the small slider in the top of the filter bag. Dispose the filter bag in accordance with legal regulations.
3. Insert the new filter bag in the container and press it gently on the inlet fitting using both hands. Nilfisk always recommends the use of a filter bag for fine dust.

NO

DA

FI

EL

TR

CS

SL

HU

RO

BL

PL

SK

RU

ET

LT

LV

ZH



EN

DE

FR

ES

PT

IT

NL

SV

NO

DA

FI

EL

TR

CS

SL

HU

RO

BL

PL

SK

RU


ET

LT

LV

ZH

## CE Declaration of Conformity

<b>Product:</b>	Vacuum cleaner for wet and dry operation
<b>Model:</b>	<b>Multi 20, Multi 30</b>
<b>Description:</b>	230 V 1~, 50 Hz, 1150 W 220-240 V 1~, 50/60 Hz, 1150 W IP X4
<b>The design of the appliance corresponds to the following pertinent regulations:</b>	EC Low-voltage Directive 2006/95/EC EC EMC Directive 2004/108/EC RoHS Directive 2011/65/EC
<b>Applied harmonized standards:</b>	EN 60335-1:2010 EN 60335-2-2:2010 EN 55014-1:2006 + A1:2009 EN 55014-2:1997 + A1:2001 + A2:2008 EN 61000-3-2:2006 EN 61000-3-3:2008
<b>Name and address of the person authorised to compile the technical file:</b>	Anton Sørensen General Manager, Technical Operations EAPC  Nilfisk-Advance A/S Sognevej 25 DK-2605 Brøndby
<b>Identity and signature of the person empowered to draw up the declaration on behalf of the manufacturer:</b>	  Anton Sørensen General Manager, Technical Operations EAPC  Nilfisk-Advance A/S Sognevej 25 DK-2605 Brøndby
<b>Place and date of the declaration:</b>	Hadsund, 21-11-2013

# Nilfisk

<http://www.nilfisk.com>

## HEAD QUARTER

### DENMARK

Nilfisk-Advance Group  
Sognevej 25  
DK-2605 Brøndby  
Tel.: (+45) 4323 8100  
E-mail: [mail.com@nilfisk-advance.com](mailto:mail.com@nilfisk-advance.com)

## SALES COMPANIES

### AUSTRALIA

Nilfisk-Advance  
48 Egerton St.  
P.O. Box 6046  
Silverwater, N.S.W. 2128  
Website: [www.nilfisk.com.au](http://www.nilfisk.com.au)

### AUSTRIA

Nilfisk-Advance GmbH  
Metzgerstrasse 68  
5101 Bergheim bei Salzburg  
Website: [www.nilfisk.at](http://www.nilfisk.at)

### BELGIUM

Nilfisk-Advance n.v.-s.a.  
Riverside Business Park  
Boulevard Internationalelaan 55  
Bâtiment C3/C4 Gebouw  
Bruxelles 1070  
Website: [www.nilfisk.com](http://www.nilfisk.com)

### CHILE

Nilfisk-Advance de Chile  
San Alfonso 1462  
Santiago  
Website: [www.nilfisk.com](http://www.nilfisk.com)

### CHINA

Nilfisk-Advance (Suzhou)  
Building 18, Suchun Industrial Estate  
Suzhou Industrial Park  
215021 Suzhou  
Website: [www.nilfisk-cs.com](http://www.nilfisk-cs.com)

### CZECH REPUBLIC

Nilfisk-Advance  
VGP Park Horní Počernice  
Do Čertous 1/2658  
193 00 Praha 9  
Website: [www.nilfisk.com](http://www.nilfisk.com)

### DENMARK

Nilfisk-Advance NORDIC A/S  
Sognevej 25  
2605 Brøndby  
Tel.: (+45) 4323 4050  
E-mail: [kundeservice.dk@nilfisk.com](mailto:kundeservice.dk@nilfisk.com)

### FINLAND

Nilfisk-Advance Oy Ab  
Koskelontie 23 E  
02920 Espoo  
Website: [www.nilfisk.fi](http://www.nilfisk.fi)

### FRANCE

Nilfisk-Advance  
26 Avenue de la Baltique  
Villebon sur Yvette  
91978 Courtabouef Cedex  
Website: [www.nilfisk.fr](http://www.nilfisk.fr)

### GERMANY

Nilfisk-Advance  
Guido-Oberdorfer-Strasse 10  
89287 Bellenberg  
Website: [www.nilfisk.de](http://www.nilfisk.de)

### GREECE

Nilfisk-Advance A.E.  
Αναπαύσεως 29  
Κορωπί Τ.Κ. 194 00  
Website: [www.nilfisk.gr](http://www.nilfisk.gr)

### HOLLAND

Nilfisk-Advance  
Versterkerstraat 5  
1322 AN Almere  
Website: [www.nilfisk.nl](http://www.nilfisk.nl)

### HUNGARY

Nilfisk-Advance Kereskedelmi Kft.  
II. Rákóczi Ferenc út 10  
2310 Szigetszentmiklos-Lakihegy  
Website: [www.nilfisk.hu](http://www.nilfisk.hu)

### INDIA

Nilfisk-Advance India Limited  
Pramukh Plaza, 'B' Wing, 4th floor, Unit No. 403  
Cardinal Gracious Road, Chakala  
Andheri (East) Mumbai 400 099  
Website: [www.nilfisk.com](http://www.nilfisk.com)

### IRELAND

Nilfisk-Advance  
1 Stokes Place  
St. Stephen's Green  
Dublin 2  
Website: [www.nilfisk.com](http://www.nilfisk.com)

### ITALY

Nilfisk-Advance SpA  
Strada Comunale della Braglia, 18  
26862 Guardamiglio (LO)  
Website: [www.nilfisk.it](http://www.nilfisk.it)

### JAPAN

Nilfisk-Advance Inc.  
1-6-6 Kita-shinyokohama, Kouhoku-ku  
Yokohama, 223-0059  
Website: [www.nilfisk.com](http://www.nilfisk.com)

### MALAYSIA

Nilfisk-Advance Sdn Bhd  
Sd 14, Jalan KIP 11  
Taman Perindustrian KIP  
Sri Damansara  
52200 Kuala Lumpur  
Website: [www.nilfisk.com](http://www.nilfisk.com)

### MEXICO

Nilfisk-Advance de Mexico, S. de R.L. de C.V.  
Agustín M. Chavez No. 1, PB oficina 004  
Col. Centro de Ciudad Santa Fe  
01210 Mexico, D.F.  
Website: [www.nilfisk.com](http://www.nilfisk.com)

### NEW ZEALAND

Nilfisk-Advance  
Danish House  
6 Rockridge Avenue  
Penrose, Auckland 1135  
Website: [www.nilfisk.com](http://www.nilfisk.com)

### NORWAY

Nilfisk-Advance AS  
Bjørnerudveien 24  
1266 Oslo  
Tel.: (+47) 22 75 17 70  
E-mail: [info.no@nilfisk.com](mailto:info.no@nilfisk.com)

### POLAND

Nilfisk-Advance Sp. Z.O.O.  
ul. 3 Maja 8  
05-800 Pruszków  
Website: [www.nilfisk.pl](http://www.nilfisk.pl)

### PORTUGAL

Nilfisk-Advance  
Sintra Business Park  
Zona Industrial Da Abrunheira  
Edifício 1, 1° A  
P2710-089 Sintra  
Website: [www.nilfisk.pt](http://www.nilfisk.pt)

### RUSSIA

Нилфиск-Эдванс  
127015 Москва  
Вятская ул. 27, стр. 7

### Россия

Website: [www.nilfisk.ru](http://www.nilfisk.ru)

### SOUTH AFRICA

WAP South Africa  
12 Newton Street  
Spartan 1630  
Website: [www.nilfisk.com](http://www.nilfisk.com)

### SOUTH KOREA

Nilfisk-Advance Korea  
3F Duksoo B/D, 317-15  
Sungsoo-Dong 2Ga, Sungdong-Gu  
Seoul  
Website: [www.nilfisk.com](http://www.nilfisk.com)

### SPAIN

Nilfisk-Advance S.A.  
Torre d'Ara, Planta 9  
08302 Mataró  
Barcelona  
Website: [www.nilfisk.es](http://www.nilfisk.es)

### SWEDEN

Nilfisk-Advance AB  
Aminogatan 18  
431 53 Mölndal  
Website: [www.nilfisk-alto.se](http://www.nilfisk-alto.se)

### SWITZERLAND

Nilfisk-Advance  
Ringstrasse 19  
Kircheberg/Industri Stelzi  
9500 Wil  
Website: [www.nilfisk-alto.ch](http://www.nilfisk-alto.ch)

### TAIWAN

Nilfisk-Advance Taiwan Branch  
1F, No. 193, sec. 2, Xing Long Rd.  
Taipei  
Tel.: (+88) 6227 002 268  
Website: [www.nilfisk-alto.tw](http://www.nilfisk-alto.tw)

### THAILAND

Nilfisk-Advance Co. Ltd.  
89 Soi Chokechai-Ruammitr  
Viphavadee-Rangsit Road  
Ladyao, Jatuchak, Bangkok 10900  
Website: [www.nilfisk-thailand.com](http://www.nilfisk-thailand.com)

### TURKEY

Nilfisk-Advance A.S.  
Serifali Mh. Bayraktar Bulv. Sehit Sk. No:7  
Umraniye  
Istanbul  
Website: [www.nilfisk.com](http://www.nilfisk.com)

### UNITED KINGDOM

Nilfisk (A Division of Nilfisk-Advance Ltd.)  
Bowerbank Way  
Gilwilly Industrial Estate, Penrith  
Cumbria CA11 9BQ  
Tel: 01768 868995  
Website: [www.nilfisk.co.uk](http://www.nilfisk.co.uk)

### UNITED ARAB EMIRATES

Nilfisk-Advance Middle East Branch  
SAIF-Zone  
P.O. Box 122298  
Sharjah  
Website: [www.nilfisk.com](http://www.nilfisk.com)

### VIETNAM

Nilfisk-Advance Representative Office  
No. 51 Doc Ngu Str.  
Ba Dinh Dist.  
Hanoi  
Website: [www.nilfisk.com](http://www.nilfisk.com)