

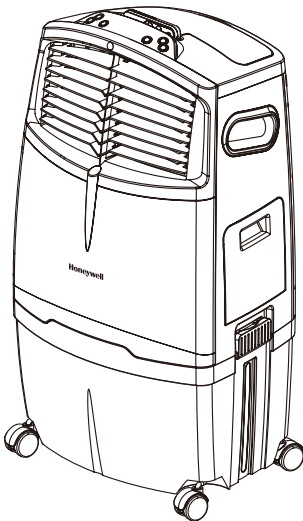
# Honeywell®

---

## Portable Evaporative Air Cooler

### OWNER'S MANUAL

Read and save these instructions before use



**Model: CL30XC**

Power rating: 250 Watts

Voltage rating:

230 Volt, 50Hz

---

Made in P.R.C.

# QUICK START GUIDE



Fill with water and plug into a standard power outlet.

Note: Please make sure the household power voltage matches the product specifications.



Place near an open door or window.

Note : Evaporative air cooler requires cross ventilation.



Turn ON and enjoy the cooling breeze.

Note: Start with LOW speed and gradually increase to higher speed for optimum cooling performance.

Read all instructions carefully before setting up and operating the cooler, and please keep this instruction manual for future reference. This manual is designed to provide you with important information needed to setup, operate, maintain, and troubleshoot your cooler. Failure to follow these instructions may damage and/or impair its operation and void the warranty.

SECTION	PAGE
THANK YOU .....	2
USER TIPS .....	3
SAFETY .....	5
PARTS DESCRIPTION .....	7
USE & OPERATION .....	8
Control Panel .....	8
Function Buttons .....	9
Room Cooling and Humidifying .....	11
Remote Control .....	12
Filling Water .....	13
CLEANING & MAINTENANCE .....	14
TROUBLESHOOTING GUIDE .....	16
TECHNICAL SPECIFICATIONS .....	18
ELECTRICAL WIRING DIAGRAM .....	18

# THANK YOU

Congratulations on your purchase of this versatile Honeywell Evaporative Air Cooler. For optimum cooling from your cooler, fill the water tank to maximum level and load ice inside the ice compartment before you turn on your air cooler.

## Cooler Location (Important - Please Read!)

Place the cooler in front of an open door or window. Ensure that there is adequate cross-ventilation in the room by leaving a door or window open opposite the cooler.

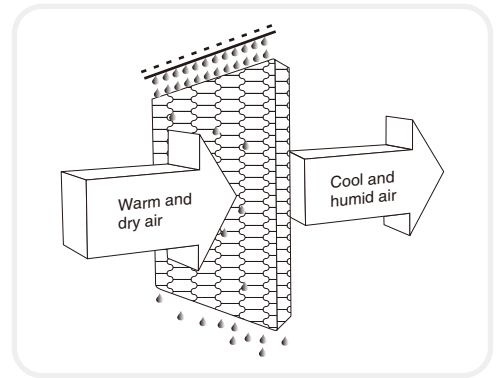
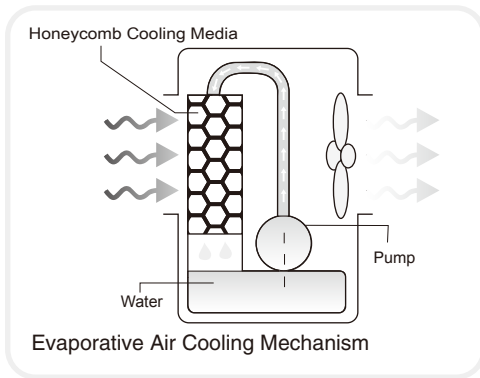
Following these guideline will ensure your cooler will work as effectively as possible.

## Not an Air Conditioner (Important - Please Read!)

The evaporative air cooler is not an air conditioner as it does not use a compressor or refrigerant gas. It should not be expected to cool as efficiently as a refrigerated air conditioner.

## Energy efficient, No compressor

Honeywell Evaporative Air Coolers are built to maximize energy efficiency and keep costs low. Warm air is drawn into the cooler through a dust and odor-reducing carbon filter and enters the Honeycomb Cooling Media. Water pumped from the tank pours over the honeycomb media. As the warm air passes through the media, the water absorbs the heat, naturally cooling and humidifying the air. A fan propels the cooled air out into the room. This no-compressor system cools naturally, efficiently and inexpensively.



## USER TIPS

The recommended maximum relative humidity level is 60% or less, which allows a noticeable temperature decrease. The temperature decrease will be greater in drier climates because higher evaporation occurs when the humidity is low.

The evaporative air cooler should not be used in enclosed spaces. It must be kept level and there must be water in the water tank. The room should have doors and windows opened to allow free air flow. The evaporative air cooler works best when placed near an open window, so that outside air is drawn into the evaporative air cooler, the air circulates in the room, then exits via the door. The maximum cooling effect is felt when a person is in the flow of air coming out of the evaporative air cooler.

The evaporative air cooler can also be used to humidify dry air during cool weather. To be used for humidification the windows and doors should be closed to allow the humidified air to accumulate.



Room with open windows & door  
(RECOMMENDED)



Room with closed windows & door  
(NOT-RECOMMENDED)

## NOTE

When the product is used for the first time the Honeycomb Cooling Media will have an odor which will dissipate in a week or so of initial use.



## READ AND SAVE THESE INSTRUCTIONS:

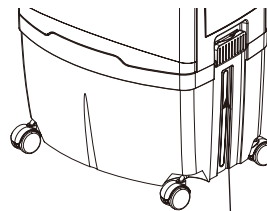
When using electrical appliances, basic safety precautions should always be followed:

- Your cooler runs on 230 Volt AC, 50 Hz current. Check the household voltage to ensure it matches the appliance's rate specification.
- Before operating the product remove it from its packaging and check that it is in good condition.
- DO NOT operate any product with a damaged cord or plug. We recommend not using an extension cord with this appliance.
- DO NOT run power cord under carpeting, or cover it with rugs or runners. Keep the cord away from areas where it may be tripped over.
- Always unplug the product before refilling the water tank.
- Always unplug the appliance from the power source before cleaning, servicing or relocating the unit.
- Remove the power cord from the electrical receptacle by grasping and pulling on the power cord plug-end only, never pull the cord.
- DO NOT use the product in areas where gasoline, paint or other flammable goods and objects are stored.
- When using the "COOL" setting, check the water tank to ensure that it is full. Operation of this cooler on the "COOL" setting with an empty tank may result in damage to the water pump.



230 Volt 50 Hz

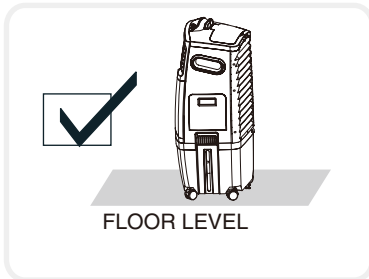
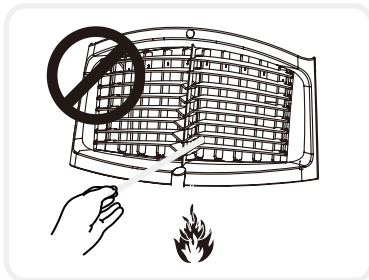
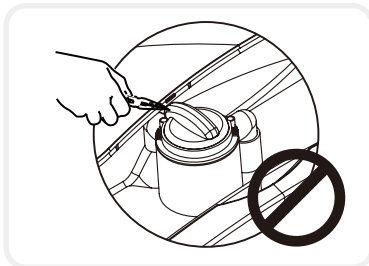
SHOCK HAZARD



WATER LEVEL INDICATOR

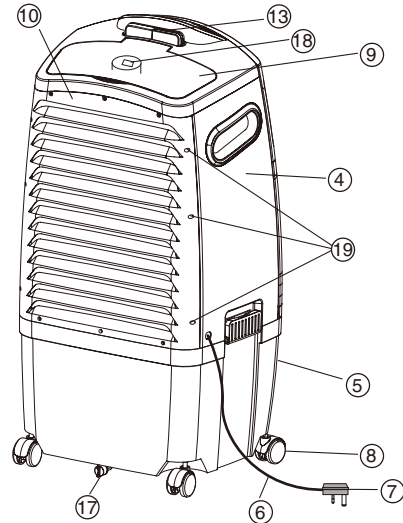
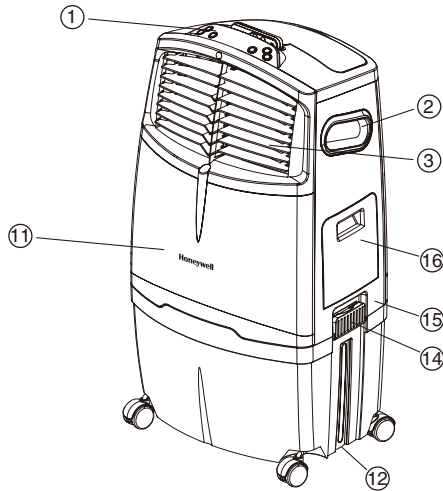
# SAFETY

- DO NOT attempt to repair or adjust any electrical or mechanical functions of the cooler, as this may void the warranty.
- DO NOT cover the air inlet or outlet on the appliance as this may cause motor damage.
- DO NOT insert or allow objects to enter any ventilation or exhaust opening as this may damage the product and could cause an electrical shock or fire.
- DO NOT operate with the Honeycomb media removed as this will overload and damage the motor.
- DO NOT leave the operating appliance unattended for any extended period of time.
- DO NOT let children play with this appliance, packaging or plastic bags.
- If the unit is damaged or it malfunctions, do not continue to operate it. Refer to the troubleshooting section and seek professional advice.
- Place the unit on a level floor.
- This product is not intended for use in wet or damp locations.
- DO NOT use in bathrooms. Never locate the product where it may fall into a bathtub or other water container.
- Store in a dry area when not in use.
- This appliance is not intended for use by persons (including children or elderly) with reduced physical, sensory or mental capabilities, or lack of experience and knowledge, unless they have been given supervision or instruction concerning use of the appliance by a person responsible for their safety.
- Always grip the side handles to move the cooler.





# PARTS DESCRIPTION



- 1 Control Panel
- 2 Handle
- 3 Louvers
- 4 Left Side Panel
- 5 Water Tank
- 6 Power Cord
- 7 Power Plug
- 8 Casters
- 9 Ice Compartment Lid
- 10 Back Grill

- 11 Front Panel
- 12 Water Level Indicator
- 13 Remote Control
- 14 Latch
- 15 Right Side Panel
- 16 Water Fill Door
- 17 Drainage Tube / Cap
- 18 Water Regulator
- 19 Rear Grill Removal Screws

## ACCESSORIES:

Remote Control ( Batteries not included)

## CONTROL PANEL



### Icons on LCD

❄️ Cool

🌀 Fan operating

≡ Low speed

≡≡ Medium speed

≡≡≡ High speed

🌀 Swing

8.8 Time delay set

🌙 Sleep

## FUNCTION BUTTONS

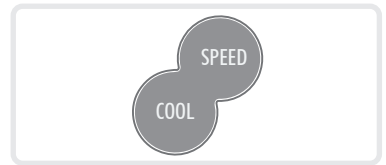
## POWER

Press the 'POWER' button to turn the unit ON. To turn the unit OFF, press the button again. The cooler will start automatically at medium speed. After a few seconds the speed will switch to low.



## FAN ↻ / SPEED ≡

Press the 'FAN OR SPEED' button repeatedly and the speed will change. The indicator light will show the selected speed.



## COOL ❄️

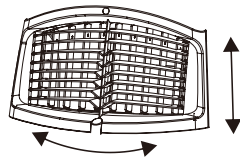
To begin cooling the desired area press the "COOL" button. The indicator light will come on and the water pump will operate. You will feel the cooler air after the Honeycomb Media is completely wet.

# USE & OPERATION

## SWING

Press the "SWING" button. The indicator light will come on and the louvers will begin to move from right to left automatically. Manually adjust the horizontal louvers to change vertical airflow.

LOUVERS MOVEMENT



## SLEEP

When the SLEEP button is pressed, the cooler will run on HIGH speed for 1 hour, subsequently changing to MEDIUM speed for 1 hour followed by LOW speed for the remaining time.

SWING

SLEEP

## TIMER

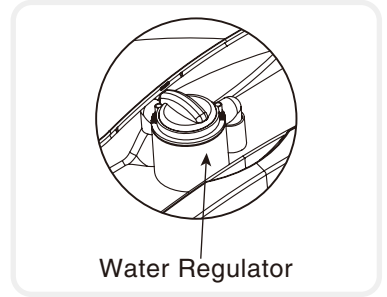
Press the "TIMER" button until the indicator light comes on to your desired time. Once the set time has passed, the unit will automatically shut off. The Timer function allows you to program the unit for up to 8 hours of use.

TIMER

## ROOM COOLING AND HUMIDIFYING

When the Water Regulator is set to "MIN", the water pump distributes minimal amount of water to the Honeycomb Media. This results in less water evaporation and reduces cooling effect.

When the Water Regulator is set to "MAX", the water pump distributes the maximum amount of water to the Honeycomb Media. This results in maximum water evaporation and the cooling performance improves.



## COOLER LOCATION

Place the cooler in front of an open door or window. Ensure that there is adequate cross - ventilation in the room by leaving a door or window open opposite from the cooler. Following these rules will ensure your cooler will work as effectively as possible.

## REMOTE CONTROL

Power:	On/Off
Speed:	Low / Medium / High
Cool/Fan:	Controls cooling or fan option
Swing:	Controls the motion of the louvers
Timer:	Controls timer function for automatic shut off
Sleep :	Turns on the sleep mode (Cooler runs on high speed for 1 hr followed by medium speed for 1 hr and then remains in low speed)

Remote Control ( Batteries not included)



## NOTE

- Open the battery compartment at the back of the remote control and insert two new AAA dry cell batteries. Care must be taken to insert the batteries according to the correct polarity (+ / -) markings shown inside the battery compartment.
- Always point the remote control signal transmitter towards the unit when operating.
- Make sure that the signal path is not obstructed.
- Remove the batteries if the unit is not going to be used for an extended period of time.
- Do not drop the remote control.



**CAUTION**

**Unplug from power when refilling.**

**FILLING WATER**

Unplug the air cooler from power supply.

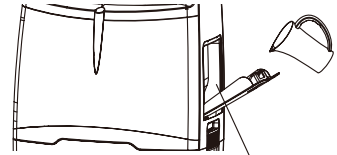
Check water level indicator located on the front of the unit to determine the level of water inside the water tank. The water tank of this cooler holds up to 30 Litres of water. Be sure water in the tank is always above the minimum water level mark.

To refill the water tank, open the Water Fill Door located below the left side panel (refer to page 7) and fill water to the Max Level, as indicated on the Water Level Indicator. Do not fill water above the Max water level mark.

For better cooling performance, we suggest putting ice cubes inside the ice compartment located on the top side of your cooler.

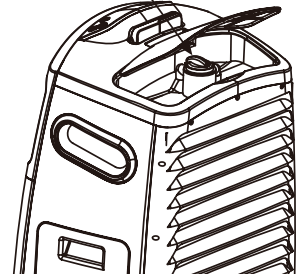
After refilling the water tank and loading ice, close the water fill door, connect the power supply and turn on.

**Note :**  
Running the unit with inadequate water may cause pump failure.



Water Fill Door

Top Ice Loading Compartment



## IMPORTANT



- The cooler is supplied with Honeycomb Cooling Media.
- The cleaning frequency for the Honeycomb media depends on local air and water conditions. In areas where the mineral content of water is high, mineral deposits may build up on the Honeycomb Cooling Media and restrict air flow. Draining the water reservoir and refilling with fresh water at least once a week will help reduce mineral deposits. If mineral deposits remain on the Honeycomb media, the media should be removed and washed under fresh water. The media should be cleaned every two months or sooner, depending on your needs.
- Do not run the unit in COOL mode with stale water in the tank. Empty the tank and refill it with fresh water if the water has been standing in the tank for an extended period of time.
- For best results, allow the Honeycomb Cooling Media to dry after each use by turning off the cool function 15 minutes before turning the unit off.
- Draining the water reservoir and refilling with fresh water at least once a week will greatly reduce mineral deposits in the pads and help to extend the life of Honeycomb Cooling Media.

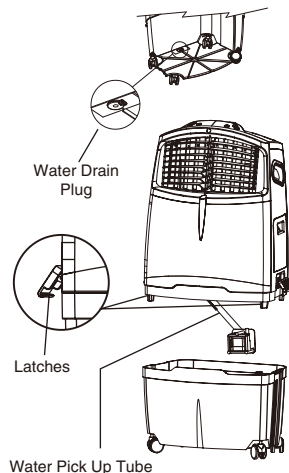
## WARNING

- Before cleaning the unit, switch it to the "off" position and unplug from the power socket.
- To clean the outside, use a damp cloth to remove dirt and dust.
- Never use corrosive elements or any chemicals to clean this product.
- When the product is not in use, store the unit in a dry place out of direct sunlight.



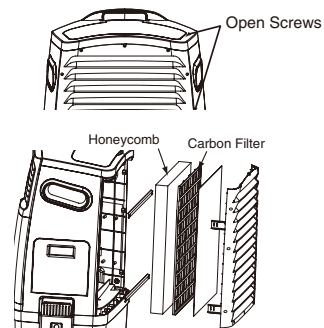
## DRAINING AND CLEANING THE WATER TANK

- Turn the power “off” and disconnect the air cooler from the power supply.
- Move the unit to a location where it can be drained. Remove the cap from the water drain plug and allow the tank to empty (see parts description on page 7).
- Once the tank is empty, unlock the latches on both sides and lift off the cooler top section as shown in the figure and place it vertically on the floor. Be careful not to bend the water pickup tube that hangs below the unit.
- Refill the water tank with clean water and drain it completely.
- Clean the water tank with detergent or a damp cloth and rinse it thoroughly.
- Place the unit top carefully on the tank and lock the latches.
- Refill the water tank with clean water, up to the maximum level.
- Plug into the power supply and turn unit on.



## CLEANING THE FILTER AND HONEYCOMB

- Turn off the unit, and unplug the power cord from wall outlet.
- Rotate the unit facing the back panel, and locate the Rear Grill Removal Screws (refer page 7., #19). Remove both the screws with a screw driver.
- Pull the rear grill panel upwards, until it is completely removed.
- Now, the carbon filter and honeycomb media can be seen. Clean both the filters with clean cloth to remove all the dust & dirt particles.
- Once the cleaning has been completed, assemble the unit as described above.
- Plug into the power supply and turn unit on.



# TROUBLESHOOTING GUIDE

PROBLEM	POSSIBLE CAUSE	SOLUTION
No discharge of air	Cord is not plugged in.	Make sure power cord is plugged in and the supply switch is on.
	Power is not on.	Turn the unit ON by pressing buttons on the control panel.
Not Cooling / Unit is making noise	Pump is not turned ON.	On Control Panel, Turn COOL FUNCTION to "ON".
	Low or no water in tank, when COOL is selected.	Refill water tank.
	Damaged Pump or Calcium deposits on blower.	Contact service center.
Odor omission	When the Cooler is new.	When the unit is used for the first time, the Honeycomb Cooling Media will have an odor, which will dissipate within a week of initial use.
	If the Cooler has been used.	There may be an algae issue, Replace the Honeycomb Cooling Media. Contact service center.

PROBLEM	POSSIBLE CAUSE	SOLUTION
The unit does not respond to remote control	Remote control batteries.	Check batteries, Replace if needed. Try to operate using the control panel.
	Damaged PCB.	Try with remote control. If the unit responds, PCB board fasteners may be loose. Contact service center.
		If neither remote control nor control panel works, PCB board may be damaged. Contact service center.

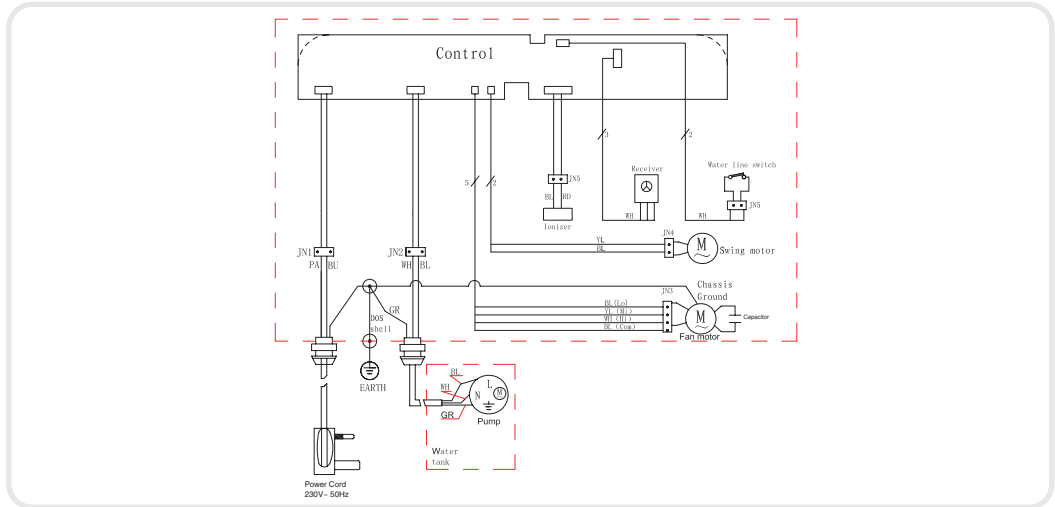
# TECHNICAL SPECIFICATIONS

MODEL NO.

CL30XC

Voltage	230V
Frequency	50Hz
Wattage	250 Watts
Water Tank Capacity	25 Liters
Cooling Media	Honeycomb
Product Dimension	458(L) x 352(W) x 856(H) mm
Net Weight	11.3 Kg

## ELECTRICAL WIRING DIAGRAM



**Authorized Distributor for :**

© 2012 AirTek International Corporation Limited  
The Honeywell Trademark is used under license from  
Honeywell International Inc.  
Honeywell International Inc. makes no representation or  
warranties with respect to this product.  
Manufactured by AirTek International Corporation Limited.

**Honeywell**