

**NB:** This appliance has an automatic safety cut off system, which will automatically turn the appliance off if left switched on accidentally for 60 minutes. If this occurs, please wait for appliance to cool. Switch the appliance off and unplug the power cord. Plug the power cord in and switch the appliance on by pressing the 'on/off' button.

**IMPORTANT:** Hair that has been heavily bleached or chemically treated should only use the low heat settings on this product. Please consult your hairdresser on using heated appliances if you have any concerns about the condition of your hair.

#### How to use the variable temperature settings

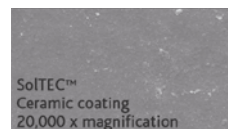
The 5 variable temperature settings/digital heat control provide variable heat for many different hair types. These settings allow you to choose the required temperature setting according to your particular need and hair type.

**NB:** The heat-up time will vary depending on which temperature setting you select. It is suggested to use the lower heat settings when using the appliance for the first time.

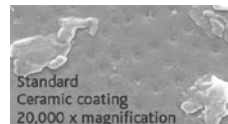
Temperature Setting Guide	
Variable Temperature Control Settings	Hair Type
Power - 140°C – Green	Delicate, fine, bleached hair
Low setting - 155°C – Yellow	Thin, easy-to-curl hair
Medium setting - 170°C – Orange	Normal textured hair
High setting - 185°C – Red	Wavy, curly hair
Maximum setting - 200°C – Red	Hard-to-curl, very thick hair

#### What is SolTEC™ Ceramic?

SolTEC™ Ceramic coating glides through the hair flawlessly, protecting hair & resulting in the ultimate soft, shiny finish. The hair slides from the barrel easily, creating beautiful, bouncy cascading curls.



50% smoother & 20% harder than standard ceramic\*, it contains a high content of nano ceramic particles in the coating, resulting in an ultra smooth barrel that is hard wearing.



#### How to use your miniPRO Curl Magic™

##### PLEASE REMOVE ANY PROMOTIONAL MATERIAL BEFORE USE

- Wash and condition your hair as usual. Ensure that hair is dry, combed through and tangle-free.
- A plastic cover has been placed over the plug to protect it from damage. Remove the plastic cover before inserting into power outlet.
- Plug the appliance into a suitable power outlet and slide the on/off button to the "I" position. At this time the red LED indicator light will turn on.

**WARNING!** This appliance gets very hot. Take care to avoid the hot surfaces of the appliance coming into direct contact with the skin, in particular the eyes, ears, face and neck.

**IMPORTANT!** The minPRO Curl Magic requires wrapping hair around the barrel. When holding the hair in place around the barrel, take care to ensure fingers are on the cool tip and avoid fingers coming into contact with the hot appliance.

1. Comb through hair to prevent knots and tangles and then divide hair into equal sections. Before styling make sure the universal heat glove is worn on the hand which is wrapping the hair around the barrel.
  2. Take a section of hair starting around 5cms from the scalp.
  3. Wind the section around the curler to the ends of the hair.
  4. Hold the end of the hair in place at the cool tip for 5-8 seconds depending on hair type, and then unwind hair. For tighter, bouncier curls, roll less hair. For loose, free flowing curls, roll more hair.
- N.B:** Some experimenting is necessary when using a curler for the first time or when changing to a different hair style.
5. Style all sections of hair until completed.
  6. Once the hair has cooled, separate curls using fingers for a softer look or brush out using a comb.
  7. To turn the appliance off, slide the on/off switch to '0' and the red LED indicator light will turn off. Allow appliance to cool before storing.

#### What is Ceramic Technology™?

Ceramic Technology™ helps to tame and reduce frizzes and fly aways by preventing heat damage and spreading heat evenly and consistently. Hair damage is minimized as heat is distributed evenly from the styling appliance avoiding harmful hot spots.

#### Multi Voltage

The miniPRO Curl Magic has a multi voltage feature for worldwide use. The voltage automatically converts for ease of use from 120-240V~.

NOTE: This styler has an internal automatic converter which will automatically convert the voltage without the need of a switch. A suitable plug adaptor will be required, please refer to the chart below.

Plug adaptor required	Voltage and plug adaptors	Country
	British plug: 230V	Ireland, Great Britain, Singapore, South America, Hong Kong (parts only), Africa (parts only)
	European plug: 230V	Asia, Europe, Middle East Noumea, Scandinavia, South America, Hong Kong (parts only)
	Australian and New Zealand plug: 240V	Australia, New Zealand
	American plugs: 100-240V~	North America, Japan, Canada (parts of)

#### User Maintenance

Your stylers are designed for household use and are virtually maintenance free. No lubrication is needed. If cleaning becomes necessary, disconnect the appliance from the power outlet. Allow the appliance to cool and wipe exterior with a cloth. If any abnormal conditions occur, allow to cool and return to your place of purchase.

#### Limited Three Year Warranty (Curl Magic™)

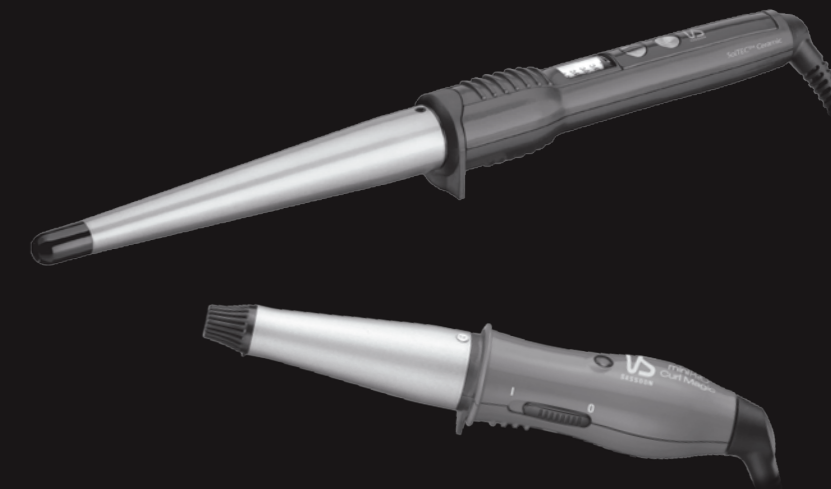
Conair Australia Pty Ltd. will repair or replace (at our option) your appliance free of charge for thirty-six months from the date of purchase if the appliance is defective in workmanship or materials. This warranty is an additional benefit and does not affect your legal rights. To obtain service under this warranty, please fill in and return the Warranty Registration as instructed.

#### Limited Two Year Warranty (miniPRO Curl Magic)

Conair Australia Pty Ltd. will repair or replace (at our option) your appliance free of charge for twenty four months from the date of purchase if the appliance is defective in workmanship or materials. This warranty is an additional benefit and does not affect your legal rights. To obtain service under this warranty, please fill in and return the Warranty Registration as instructed.

Vidal Sassoon and related logos are trademarks of The Procter & Gamble Company used under licence by Conair  
 ©2011 Conair Australia Pty Ltd  
 Suites 20 and 21,  
 7 Narabang Way, Belrose NSW 2085  
 Customer Service Hotline (Australia): 1800 650 263  
 Customer Service e-mail: aus\_info@conair.com  
 Conair New Zealand Ltd.,  
 PO Box 251159, Pakuranga, Auckland, 1706, New Zealand  
 Customer Service Hotline (New Zealand): 0800 266 247  
 VSP2285CA

\*Independent laboratory test results versus industry standard ceramic coating. Results may vary on production.



instruction booklet

Curl Magic™ with bonus miniPRO Curl Magic

VSP2285CA

## IMPORTANT SAFETY INSTRUCTIONS

When using electrical appliances, especially when children are present, basic safety instructions should always be followed, including the following:

Polythene bags over product or package may be dangerous. To avoid danger of suffocation, keep this wrapper away from babies and children. This bag is not a toy.

### DANGER:

When the unit is used in a bathroom, unplug it after use since the proximity of water presents a hazard even when the unit is switched off.



**WARNING:** Do not use this appliance in or near bathtubs, showers, basins or other vessels containing water.

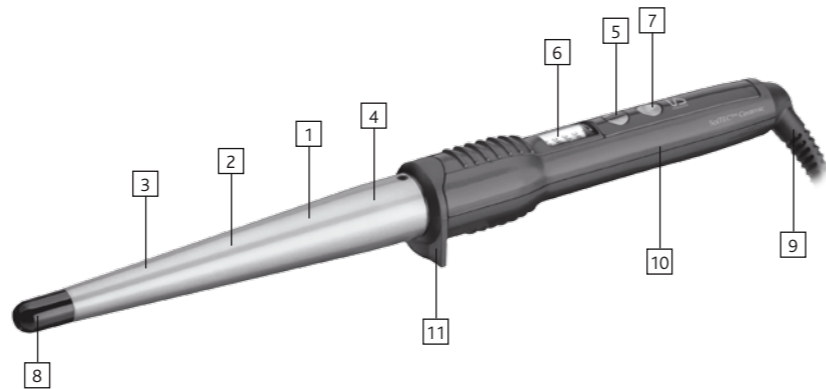
- Do not immerse in water or other liquids.
- **Do not reach for an appliance that has fallen into water. Unplug immediately.**
- Unit is hot when in use. Take care to avoid contact between the hot surfaces of the unit and the skin, paying particular attention to the face, neck and hands.
- This appliance is not intended for use by infirm persons (including children) with reduced physical, sensory or mental capabilities, or lack of experience and knowledge, unless they have been given supervision or instruction concerning use of the appliance by a person responsible for their safety.
- Children should be supervised to ensure that they do not play with the appliance.

**IMPORTANT:** Always unplug the appliance when not in use or before cleaning. Do not leave unattended when plugged in or switched on. Do not place on any heat-sensitive surface and always allow to cool before storing away.

- Do not use any attachments other than those supplied by Conair Australia Pty Ltd.
- Use this appliance only for its intended use as described within this instruction booklet.
- This appliance is not intended for commercial use.
- Never drop or insert any object into an opening.
- Never block the air openings of the appliance or place on a soft surface such as a bed or couch, where the air openings may be blocked. Keep the air openings free of lint and other debris.
- Attachments may get hot during use. Allow them to cool before handling.
- Do not use outdoors or operate where aerosol (spray) products are being used or where oxygen is being administered.
- Keep the cord away from heated surfaces.
- Do not use an extension cord with this appliance.
- If the supply cord is damaged, it must be replaced by the manufacturer, its service agent or similarly qualified persons in order to avoid a hazard.
- After use do not wrap the cord around the appliance as in time this may cause the cord to fracture. Coil cord loosely by the side of the appliance in storage.
- Always ensure that the voltage to be used corresponds to the voltage marked on the unit.

## Curl Magic™

Create your own magic every time you curl with the Curl Magic. It's a hairdresser's styler with no clamp, simply wrap the hair around the barrel for fast, easy curls without kinks. The Curl Magic features a SolTEC™ Ceramic barrel that is 50% smoother & 20% harder than standard ceramic\*. This sleek curler has an LED variable temperature control 140°C - 200°C, suitable for styling all hair types, giving you the confidence to achieve you own desired look.

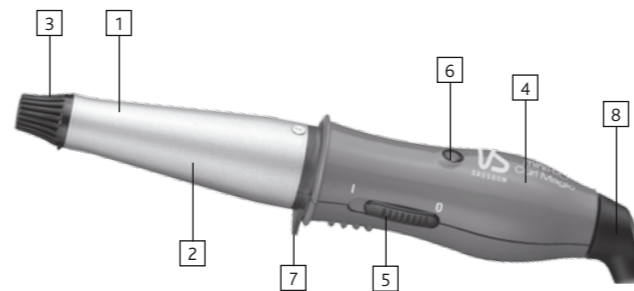


### Features:

1. Up to 200°C professional salon heat
2. 60 second instant heat
3. 25mm conical barrel tapering to 13mm
4. SolTEC™ Ceramic technology
5. Digital temperature control with 5 variable LED settings: + and - buttons (from 140°C - 200°C.)
6. LED variable temperature display
7. On/off button
8. Cool touch tip
9. Professional swivel power cord
10. Automatic safety cut off system
11. Counter Rest

## miniPRO Curl Magic™

The VS Sassoon miniPRO collection takes your favourite styling essentials & turns them into compact travel size styling tools on the go. They include the same great quality & features you have grown to love. The miniPRO Curl Magic is a styler without a clamp, simply wrap the hair around the barrel for fast, easy curls without kinks.



### Features:

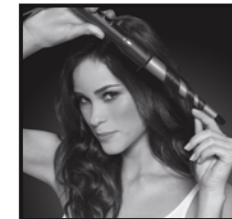
1. Conical barrel without a clamp
2. Ceramic technology™
3. Easy hold cool tip
4. worldwide voltage
5. On/off switch
6. LED on indicator light
7. Counter rest
8. Swivel power cord

## How to use your Curl Magic

**WARNING!** This appliance gets very hot. Take care to avoid the hot surfaces of the appliance coming into direct contact with the skin, in particular the eyes, ears, face and neck.

**IMPORTANT!** A universal heat protective glove has been supplied to help protect the hand from temporary contact with the barrel when wrapping the hair around the appliance. Please note the heat protective glove is only designed to give initial contact protection. Discomfort will be caused with prolonged contact with the hot surface.

1. Remove all packaging and point of sale labels before use.
2. A plastic cover has been placed over the plug to protect it from damage during transportation. Remove the plastic cover from the plug before use.
3. Ensure hair is clean and completely dry before using the appliance.
4. Comb through hair to prevent knots and tangles and then divide hair into equal sections.
5. Plug the appliance into a power outlet and select your required temperature setting – please see 'How to use the variable temperature settings' for more information.
6. Press the on/off button to switch the appliance on. The LED display will instantly illuminate, and at this point the curler will start heating up.
7. Press the '+' or '-' button to adjust the temperature. The display LED light will change colour according to the temperature you select - please see "How to use the variable temperature settings" for more information. Once the selected temperature stops flashing, the curler has heated and you can begin styling your hair.
8. Section the hair evenly and comb through. Before styling make sure the universal heat glove is worn on the hand which is wrapping the hair around the barrel.
9. Take a section of hair starting around 5cms from the scalp.
10. Wind the section around the curler to the ends of the hair.
11. Hold the end of the hair in place at the cool tip for 5-8 seconds depending on hair type, and then unwind hair. For tighter, bouncier curls, roll less hair. For loose, free flowing curls, roll more hair.



**N.B:** Some experimenting is necessary when using a curler for the first time or when changing to a different hair style.

12. Style sections of hair until completed.
13. Once the hair has cooled, separate curls using fingers for a softer look or brush out using a comb.
14. To turn the appliance off, press the on/off button. The LED display will turn off. Allow appliance to cool before storing.