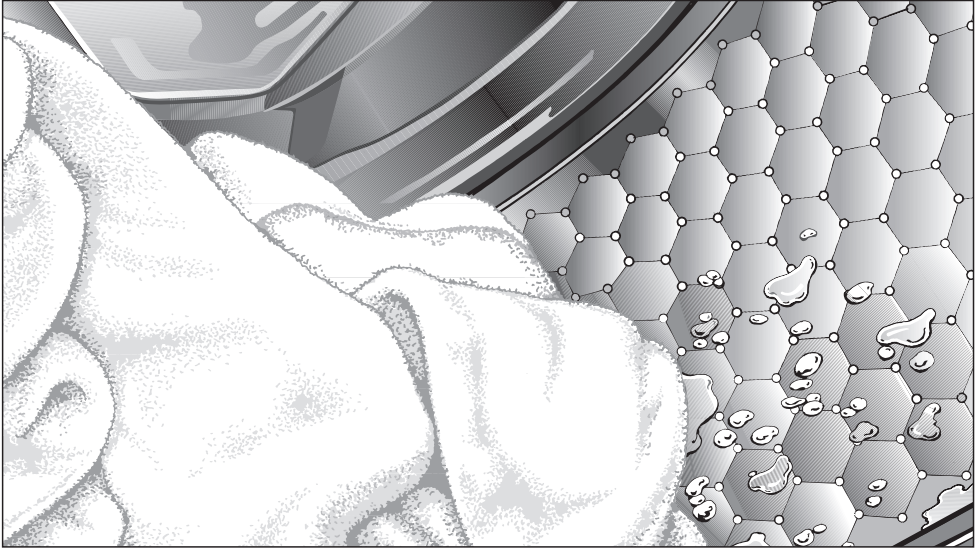


## Operating instructions



## for Washing machine W 5741

To avoid the risk of accidents or damage to the machine, it is **essential** to read these instructions before it is installed and used for the first time.

en - AU, NZ

M.-Nr. 09 493 620

# Caring for the environment

---

## Disposal of the packing material

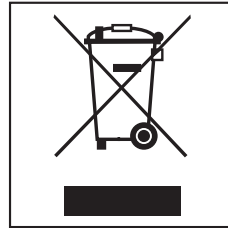
The transport and protective packing has been selected from materials which are environmentally friendly for disposal and can normally be recycled.

Ensure that any plastic wrappings, bags, etc. are disposed of safely and kept out of the reach of babies and young children. Danger of suffocation.

Rather than just throwing these materials away, please ensure they are offered for recycling.

## Disposal of your old appliance or machine

Electrical and electronic appliances / machines often contain materials which, if handled or disposed of incorrectly, could be potentially hazardous to human health and to the environment. They are, however, essential for the correct functioning of your appliance or machine. Therefore, please do not dispose of your old machine or appliance with your household waste.



Please dispose of it at your local community waste collection / recycling centre and ensure that it presents no danger to children while being stored for disposal.

It should be unplugged or disconnected from the mains electricity supply by a competent person.


The plug must be rendered useless and the cable cut off directly behind the appliance to prevent misuse.

<b>Caring for the environment</b> . . . . .	2
<b>Warning and Safety instructions</b> . . . . .	6
<b>Operating the machine</b> . . . . .	13
Control panel . . . . .	13
<b>Before using for the first time</b> . . . . .	15
<b>Washing environmentally and economically</b> . . . . .	16
Energy and water consumption . . . . .	16
Detergent consumption . . . . .	16
<b>How to wash correctly</b> . . . . .	17
Brief instructions . . . . .	17
Extra quiet. . . . .	19
<b>Spinning</b> . . . . .	22
Final spin speed . . . . .	22
<b>Programme chart</b> . . . . .	23
<b>Extra options</b> . . . . .	26
<b>Garment care label symbols</b> . . . . .	27
<b>Programme sequence</b> . . . . .	28
<b>Changing the programme sequence</b> . . . . .	30
Cancelling a programme . . . . .	30
Interrupting a programme . . . . .	30
Changing a programme . . . . .	30
Adding or removing laundry after a programme has started . . . . .	31
Safety lock . . . . .	31

# Contents

---

<b>Detergent</b> . . . . .	32
The correct detergent . . . . .	32
Water softeners . . . . .	34
Washing with several components . . . . .	34
Fabric conditioners and liquid starch . . . . .	35
Colour run and dye removers/dyes . . . . .	35
<b>Cleaning and care</b> . . . . .	36
Cleaning the drum (Hygiene Info) . . . . .	36
Cleaning the external casing and fascia panel . . . . .	36
Cleaning the detergent dispenser drawer . . . . .	36
Cleaning the water inlet filters . . . . .	38
<b>Problem solving guide</b> . . . . .	39
What to do if . . . . .	39
The programme does not start . . . . .	39
The following fault message appears in the display and the programme has been cancelled. . . . .	40
The following message appears in the display . . . . .	41
General problems . . . . .	42
An unsatisfactory wash result . . . . .	43
The drum door does not open when you press the Door button. . . . .	44
Opening the drum door in the event of a blocked drain outlet and/or power failure. . . . .	45
<b>After sales service</b> . . . . .	47
Future updates (PC) . . . . .	47
Appliance warranty . . . . .	47
Optional accessories . . . . .	47
<b>Installation and connection</b> . . . . .	48
Front view . . . . .	48
Rear view . . . . .	49
Installation surface . . . . .	50
Installing the washing machine . . . . .	50
Removing the transit bars . . . . .	50
Re-fitting the transit bars . . . . .	52

Levelling the machine . . . . .	53
Screwing out and adjusting the feet . . . . .	53
Building under a continuous worktop / in a kitchen run . . . . .	54
Washer and Dryer stack . . . . .	54
The Miele water protection system . . . . .	55
Connection to the water supply . . . . .	56
Connection to the drainage system . . . . .	57
Electrical connection . . . . .	58
<b>Technical data</b> . . . . .	<b>59</b>
<b>Consumption data</b> . . . . .	<b>60</b>
Consumption data for the nominated energy labelling programme according to AS/NZS 2040.1 & AS/NZS 2040.2 Standard . . . . .	60
Notes for test institutes: . . . . .	60
<b>Programmable functions</b> . . . . .	<b>62</b>
To access programmable functions . . . . .	62
To select a programmable function . . . . .	62
To alter a programmable function . . . . .	62
To come out of programmable functions . . . . .	62
Language  . . . . .	62
Water plus . . . . .	63
Gentle action . . . . .	63
Suds cooling . . . . .	63
Code . . . . .	64
Temperature unit . . . . .	65
Buzzer . . . . .	65
Keypad tone . . . . .	65
Brightness . . . . .	65
Contrast . . . . .	65
Standby display . . . . .	66
Memory . . . . .	66
Anti-crease . . . . .	66
<b>Optional accessories</b> . . . . .	<b>67</b>
CareCollection . . . . .	67

## Warning and Safety instructions

---

This washing machine conforms to current safety requirements. Inappropriate use can, however, lead to personal injury and damage to property.

To avoid the risk of accidents and damage to the washing machine, please read these instructions carefully before using it for the first time. They contain important information on its installation, safety, use and maintenance.

Keep these instructions in a safe place and ensure that new users are familiar with the content. Pass them on to any future owner.

### Correct application

- ▶ This washing machine is designed for domestic use and for use in similar environments by guests in hotel or motel rooms, bed & breakfasts and other typical living quarters. This does not include common/shared facilities or commercial facilities within hotels, motels or bed & breakfasts. It must only be used to wash garments which have been declared suitable for washing by the manufacturer indicated on the garment care label. Any other use may be dangerous. The manufacturer cannot be held liable for damage resulting from incorrect or improper use or operation.
- ▶ The washing machine is not suitable for outdoor use.
- ▶ This washing machine is not intended for use by persons (including children) with reduced physical, sensory or mental capabilities, or lack of experience and knowledge, unless they have been given supervision or instruction concerning its use by a person responsible for their safety.
- ▶ This washing machine must not be installed and operated in mobile installations (e.g. on a ship).

### Safety with children

- ▶ Keep children away from the washing machine at all times. It is not a toy! To avoid the risk of injury, do not allow children to play on or near it or to play with its controls. Supervise children whilst you are using it.
- ▶ Older children may only use the washing machine if its operation has been clearly explained to them and they are able to use it safely, recognising the dangers of misuse.
- ▶ For machines with a 'porthole' door, remember that the porthole glass will be hot when washing at very high temperatures. Do not let children touch it.

# Warning and Safety instructions

---

## Technical safety

▶ Before setting up the washing machine, check it for any externally visible damage.

Do not install or use a damaged washing machine.

▶ Before connecting the washing machine, ensure that the connection data on the data plate (voltage and rated load) match the mains electricity supply. If in any doubt, consult a qualified electrician.

▶ The electrical safety of this washing machine can only be guaranteed when continuity is complete between it and an effective earthing system which complies with current local and national safety regulations. It is most important that this basic safety requirement is present and regularly tested and where there is any doubt, the household wiring system should be inspected by a qualified electrician. The manufacturer cannot be held liable for the consequences of an inadequate earthing system (e.g. electric shock).

▶ Do not connect the washing machine to the mains electricity supply by an extension lead. Extension leads do not guarantee the required safety of the appliance (e.g. danger of overheating).

▶ Faulty components must only be replaced by genuine Miele original spare parts. Only when these parts are fitted can the safety standards of the machine be guaranteed.

▶ Please refer to the information in "Installation and connection" and "Technical data".

▶ The accessibility of the plug must be always ensured in order to separate the washing machine from the mains.



## Warning and Safety instructions

---

- ▶ Unauthorised repairs could result in unforeseen dangers for the user, for which Miele cannot accept liability. Repairs should only be undertaken by a Miele approved service technician.  
Ensure current is not supplied to the machine until after maintenance or repair work has been carried out.
- ▶ If the connection cable is faulty, it must only be replaced by a Miele approved service technician to protect the user from danger.
- ▶ In the event of a fault or for cleaning purposes, the washing machine is only completely isolated from the electricity supply when:
  - it is switched off at the wall socket and the plug is withdrawn, or
  - it is switched off at the mains, or
  - the mains fuse is withdrawn, or the screw-out fuse is removed (in countries where this is applicable).
- ▶ This washing machine must only be connected to the on-site water supply using a new hose kit. Old hoses must not be re-used.
- ▶ In areas which may be subject to infestation by cockroaches or other vermin, pay particular attention to keeping the machine and its surroundings in a clean condition at all times. Any damage which may be caused by cockroaches or other vermin will not be covered by the machine warranty.
- ▶ Do not make any alterations to the washing machine unless authorised to do so by Miele.

# Warning and Safety instructions

---

## Correct use

▶ The maximum load capacity is 7 kg (dry laundry). See the "Programme chart" for the specific load capacities of individual programmes.

▶ Do not install your washing machine in rooms where temperatures below freezing may occur. Frozen hoses may burst or split. The reliability of the electronic control unit may be impaired at temperatures below freezing point.

▶ Before using the washing machine for the first time, check that the transit bars at the rear of the machine have been removed (see section on "Installation"). During spinning, a transit bar which is still in place may result in damage to both the machine and adjacent furniture or appliances.

▶ Turn off the tap if the machine is to be left for any length of time (e.g. holiday), especially if there is no floor drain (gully) in the immediate vicinity.

▶ Flooding danger.

If hooking the drain hose into a wash basin, check that the water can drain off quickly enough to prevent the sink from overflowing. Make sure the drain hose is secure, so that the force of the water flowing out of the hose does not dislodge it.

▶ Take care to ensure that foreign objects (e.g. nails, pins, coins, paper clips) do not find their way into the machine with the laundry. These may damage components of the machine (e.g. suds container, drum), which in turn can result in damage to the laundry.

▶ The new hose sets supplied with the appliance are to be used. Old hose sets should not be re-used.

## Warning and Safety instructions

---

- ▶ If the correct amount of detergent is dispensed, the machine should not need to be descaled. If, however, you do wish to descale the machine, only use Miele Descaler for washing machines and strictly observe the instructions on the packaging. If in doubt, contact Miele or your Miele Chartered Agent.
- ▶ Fabrics that have been treated with solvent-based cleaning agents must be rinsed out in water before washing in the washing machine.
- ▶ Never use solvent-based cleaning agents, e.g. those containing benzene, in this machine, as this may result in damage to component parts and create toxic fumes. Such agents also pose a fire and explosion hazard.
- ▶ Never use solvent-based cleaning agents, e.g. those containing benzene, to clean the outside surfaces of this machine. They can cause damage to plastic surfaces.
- ▶ Dyes need to be suitable for use in your washing machine and can only be used in domestic quantities. Follow the manufacturer's instructions carefully.
- ▶ Sulphur compounds in dye removers can cause corrosion. Dye removers must not be used in the washing machine.
- ▶ If detergent comes into contact with eyes, rinse out immediately with lukewarm water. If swallowed, see a doctor immediately. Persons with skin wounds or sensitive skin should avoid contact with washing detergent.

# Warning and Safety instructions

---

## Accessories

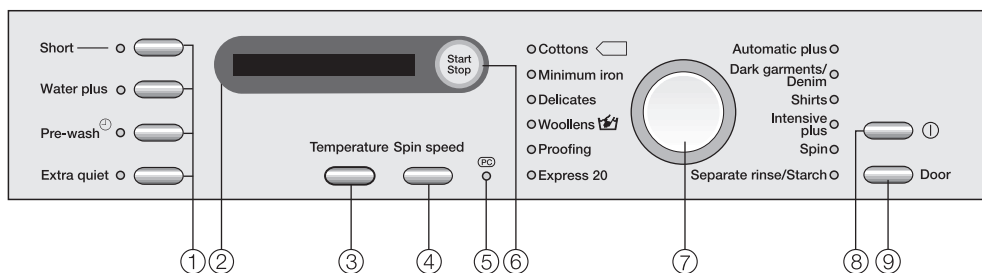
▶ Only use genuine Miele spare parts and accessories with this appliance.

If non-Miele parts are used, warranty, performance and product liability claims may be invalidated.

▶ Miele tumble dryers can be stacked with Miele washing machines. To enable this, a stacking kit can be purchased from Miele as an optional accessory. Please ensure that you order the correct stacking kit to match the washing machine and tumble dryer combination.

Miele cannot be held liable for damage caused by non-compliance with these Warning and Safety instructions.

## Control panel



### ① Extra option buttons

Various Extra options can be added to the washing programmes.


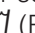
### ② Display

See the following page for more information.

### ③ Temperature button

For selecting a temperature.

### ④ Spin speed button

For selecting the final spin speed or  (Rinse hold) or *No*  (Without spin).

### ⑤ PC / Optical interface

This is used by service technicians to run diagnostic checks on your machine and can also be used to update programming data in the future.

### ⑥ Start/Stop button

For starting the programme selected and cancelling a programme once it has started.

### ⑦ Programme selector

For selecting a programme. The indicator light next to the selected programme will come on. The programme selector can be turned clockwise or anti-clockwise.

### ⑧ On/Off button

For switching the washing machine on and off.

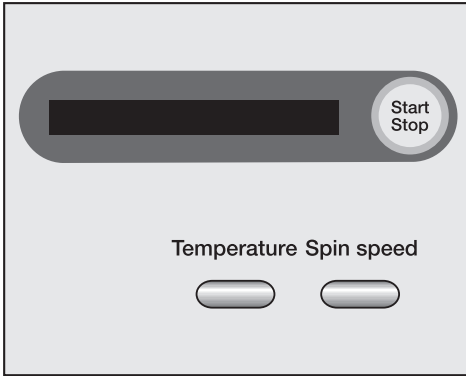
To save energy, washing machine will switch off automatically 15 minutes after programme end/Anti crease or if no other function is selected after switching on.

### ⑨ Door button

Opens the machine door.

# Operating the machine

---



The following are selected via the display:

- wash temperature
- spin speed
- programmable functions
- cancellation of a programme
- safety lock

The display also shows:

- the programme duration
- the programme sequence

## Programme duration

After the start of a programme, the estimated programme duration will appear in the display in hours and minutes.

During the first 8 minutes the washing machine measures how much water is being absorbed by the laundry and uses this to calculate the load. The programme duration may be longer or shorter depending on this absorbency rate.

## Programmable functions

The programmable functions can be used to tailor washing programmes to suit your individual requirements. In programming mode, the display will show the function selected.

# Before using for the first time

Before using the machine for the first time, ensure that it is correctly installed and connected. See "Installation and connection". Also check that the drain filter is securely tightened to prevent the risk of water leaks during use.

This washing machine has completed a comprehensive functional test. A small quantity of water remains in the drum as a result.

For safety reasons, spinning is not possible until the machine has been prepared for using for the first time. To activate the spinning function, you must run a wash programme without laundry and without detergent.

Using detergent could result in an excessive build-up of foam.

This also activates the ball valve. The ball valve prevents detergent escaping from the suds container into the sump during a wash programme, thus making maximum use of the detergent.

- Press the  button in.

If the washing machine is being switched on for the first time, the welcome screen will appear.

The welcome screen will not appear again once a programme lasting longer than 1 hour has been completed.

## Setting the language

You will be asked to select the language you require for the display. It is possible to change the language at any time via the programmable functions.

 deutsch

- Select the language you require by turning the programme selector. Confirm your selection by pressing the *Start/Stop* button.

## Reminder to remove transport struts

To avoid the risk of damage, the transport struts must be removed before the machine is used for the first time. See "Installation and connection" for instructions on how to do this.

- After removing the transport struts (if this has not already been done by your fitter), press the *Start/Stop* button.

## Running your first programme

Run a Cottons  programme without any laundry and without detergent.

- Open the tap.
- Press the *Start/Stop* button.
- At the end of the programme, switch the machine off.

The machine is now ready for use.

# Washing environmentally and economically

---

## Energy and water consumption

- Water consumption and energy usage are determined by the size of the load.  
To make the most out of your machine, load the maximum dry load for the programme you are using.
- When smaller amounts of laundry are washed, the automatic load recognition system will reduce the amount of water, time and energy used. This may mean that the time left shown in the display is adjusted during the course of the wash programme.
- Use the *Express 20* programme for small loads.
- Modern detergents enable washing at reduced temperatures (e.g. 20°C). Use appropriate temperature settings for saving energy.
- To maintain hygienic conditions in the washing machine, it is recommended that you occasionally run a wash with a temperature of at least 60°C. The **Hygiene Info** message in the display reminds you to do this.
- Using the *Cottons 40°C* programme is recommended for a normally soiled load and is the programme used in energy/water consumption tests to AS/NZS 2040 (Refer to consumption data).

## Detergent consumption

- Do not exceed the amounts of detergent recommended by the manufacturer on the packaging.
- Adjust the dosage to the degree of soiling of the laundry.
- Reduce the amount of detergent with smaller loads (approx.  $\frac{1}{3}$  less than the amount recommended can be used when washing a half load).

## Choosing the correct Extra option (Short, Pre-wash and Pre-wash + Soak)

Select:

- A wash programme together with the *Short* Extra option for light to normal soiling where there are no obvious marks.
- A wash programme without any Extra options for normal to heavy soiling with visible staining.
- A wash programme together with the *Pre-wash + Soak* Extra option for heavily soiled laundry.
- The *Pre-wash* Extra option for laundry with large amounts of dirt (e.g. dust, sand).

## When drying with a tumble dryer

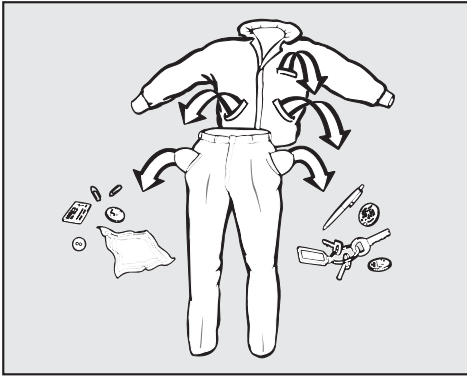
Selecting the highest possible spin speed for the wash programme will save energy when drying in a tumble dryer afterwards.



## Brief instructions

The headings numbered ①, ②, ③, . . . show the operating sequence and can be used as brief instructions.

### ① Sort the laundry



- Empty all pockets.

⚠ Foreign objects (e.g. nails, coins, paper clips, etc.) can cause damage to garments and components in the machine.

- Badly soiled areas, stains etc. should be cleaned as soon as possible, preferably whilst still fresh. Spillages should be carefully dabbed off using a soft colourfast cloth. Do not rub!

Badly soiled areas can be pre-treated with liquid detergent, stain removers etc. first, following the manufacturer's instructions. With particularly stubborn stains, ask your dry cleaner for advice.

⚠ If you use a solvent-based cleaning agent (e.g. one containing benzene) to pre-treat a stain, make sure that any plastic parts (e.g. buttons) are protected, and that the cleaning agent is rinsed off before washing the garment in the machine.

⚠ Do not use solvent-based cleaning agents in this machine.

- Sort the laundry by colour and by care label. Most garments have a textile care label in the collar or side seam.

Dark textiles often contain excess dye and should be washed separately several times first. Always wash whites and coloureds separately.

- Curtains: Remove lead weights first or place in a laundry bag.
- Underwiring and collar stiffeners: Any loose wiring in bras, shirt collar stiffeners, etc. should be removed or sewn-in.
- Close any zips, fasten hooks and eyes etc. before washing.
- Fasten duvet covers etc. to prevent small items from being rolled up inside them.

Do not wash any items in this machine which are specified by the manufacturer as **not washable** on the care label (~~W~~ symbol).

# How to wash correctly

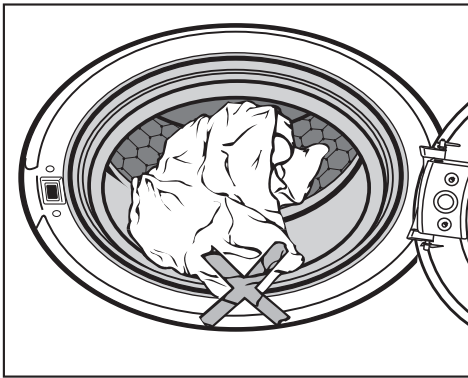
## 2 Switch on the washing machine

### 3 Load the drum

- Press the *Door* button to open the drum door.
- Unfold the laundry and load loosely in the drum. Mixing both large and small items gives better wash results and also helps distribute the load evenly during spinning.

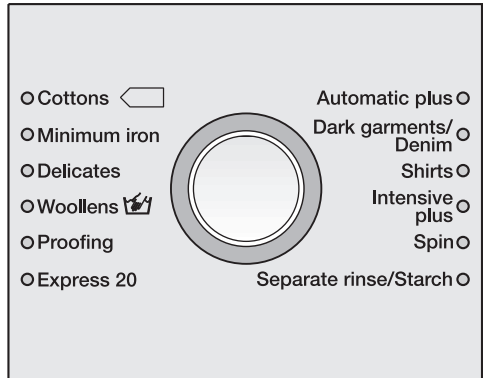
The most efficient use of energy and water is achieved when a full load is washed. However, do not overload as this causes creases and reduces cleaning efficiency.

Make sure that no garments are caught between the drum door and seal.



- Shut the door with a gentle swing.

## 4 Select a programme



- Turn the programme selector clockwise or anti-clockwise to select the required programme. The programme indicator light for the programme selected will come on.

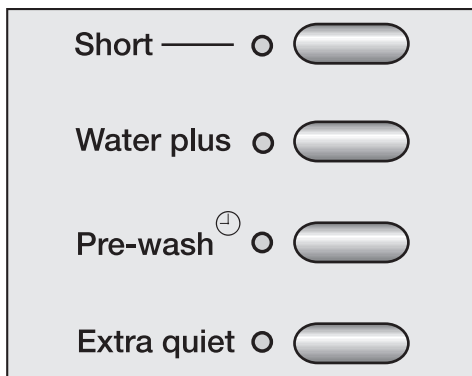
## 5 Select a temperature / spin speed

The suggested temperature and/or spin speed can be changed.

1:49 ◀ 60°C ▶ 1400

- Press the *Temperature* button to alter the temperature and press the *Spin speed* button to alter the spin speed.

## 6 Selecting Extra options



- Select any Extra options by pressing the appropriate button. The relevant indicator light will come on to show which Extra option has been selected.

Not all the Extra options are suitable for use with every programme.

You can only select Extra options which are compatible with the basic programme being used.

### Short

For light to normal soiling with no visible staining.

The duration of the main wash is reduced.

### Water plus

The water level in the main wash and the rinses will be increased if the Water plus option is selected.

However, you can select other settings for *Water plus*. These are described in "Programmable functions".

### Pre-wash<sup>⊕</sup>

By pressing the *Pre-wash*<sup>⊕</sup> button, you cannot only activate Pre-wash, but also set an extra soak time of one or two hours.

Press the button:

Once = Pre-wash

Twice = Pre-wash + 1-hour Soak

3 times = Pre-wash + 2-hour Soak

4 times = switched off

### Extra quiet

You can reduce the noise level of the washing machine if you want to wash during rest periods, e.g. at night.

When selecting *Extra quiet*, the machine won't spin and *Rinse hold* is activated. The programme duration is longer.

#### To deactivate Rinse hold

- Choose the spin speed by pressing the Spin button.

# How to wash correctly

## 7 Add detergent

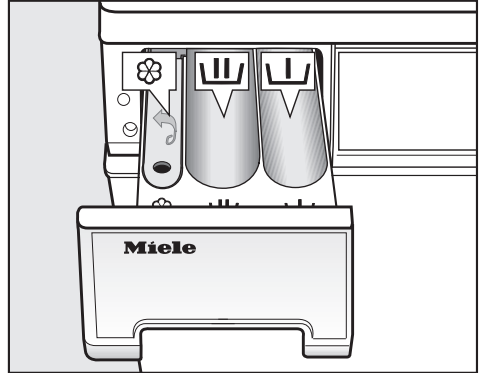
It is important to dispense the correct amount, because . . .

. . . too little detergent results in:

- laundry not getting properly clean and with time it may become grey and hard to the touch.
- greasy particles clinging to the laundry.
- limescale deposits on the heater elements.

. . . too much detergent results in:

- excessive foam which causes a low level of agitation and poor wash, rinse and spin results.
- higher water consumption (an additional rinse cycle will automatically switch in).
- a burden to the environment.



- Pull out the detergent drawer and place detergent in the compartments as follows:



Detergent for Pre-wash (if selecting Pre-wash, add  $\frac{1}{4}$  of the total amount recommended). This compartment is also used for starch formulations when starching separately.



Detergent for the main wash, including Soak if selected



Fabric conditioners or liquid starch

- Close the detergent drawer.

See "Detergent" for further information.

## How to wash correctly

### 8 Start the programme

- Press the flashing *Start/Stop* button.

The estimated programme duration will appear in the display once the programme has started. During the first 8 minutes the machine measures how much water is being absorbed by the laundry. The programme duration may be longer or shorter depending on this absorbency rate.

The programme sequence is also shown in the display. The washing machine shows you when each section of the programme is reached.

### 9 Remove the laundry when the programme has finished

In the anti-crease phase after the programme has finished, the following will appear in the display:

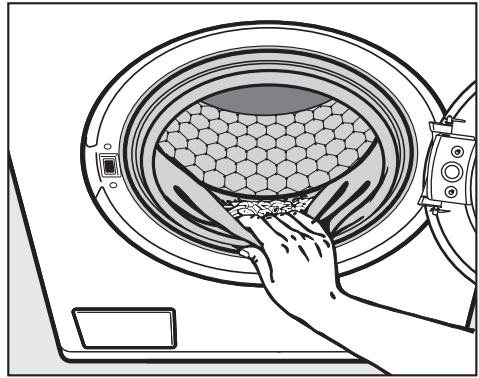
0:00 Finish

- Press the *Door* button to open the drum door.

The machine will switch off automatically 15 minutes after the end of the Anti-crease phase. Push the **⓪** button to switch the machine back on.

- Remove the laundry.

Check that all items have been removed from the drum. Items left in the drum could discolour other items in the next wash or become discoloured themselves.




- Check the folds in the door seal for any small articles, e.g. buttons, which might be lodged there.
- Switch the machine off with the **⓪** button.

To avoid the build-up of mildew, it is recommended that the door is left ajar when the machine is not in use.

# Spinning

## Final spin speed

Programme	rpm
Cottons	1400
Minimum iron	1200
Delicates	600
Woolens 	1200
Proofing	1000
Express 20	1400
Automatic plus	1200
Darks and denim	1200
Shirts	600
Intensive plus	1400
Spin	1400
Separate rinse/Starch	1200

You can reduce the final spin speed. However, you cannot select a final spin speed higher than that shown in the chart above.

## Rinse and interim spin

There is a spin after the main wash and between the rinses. A reduction in the final spin speed will also reduce the interim spin speed. For the programme *Cottons* with a spin speed of less than 700 rpm, an additional rinse is introduced.

## To omit the final spin (Rinse hold)

■ Press the *Spin speed* button to choose the *Rinse hold* setting. The laundry will not be spun and will remain suspended in the final rinse water. This reduces creasing if the laundry is not going to be removed from the drum immediately after the end of the programme.

### – To start the final spin:

The washing machine will display the maximum spin speed possible. You can select a lower spin speed. Start the final spin by pressing the *Start/Stop* button.

### – To end the programme:

Press the *Door* button. The water will drain away. Press the *Door* button again to open the door.


## To omit rinse and interim spin and the final spin (No )

■ Press the *Spin speed* button to choose the *No * setting.

The water will drain away and the machine will go straight into the anti-crease stage.

An additional rinse is introduced for some programmes in this setting.

## Programme chart

<b>Cottons</b>		<b>Cold to 90°C</b>	<b>Max. load 7.5 kg</b>
Item	Cottons, linens or cotton mixed fabrics, e.g. table linen, towelling, underwear, T-shirts etc.		
<b>Minimum iron</b>		<b>Cold to 60°C</b>	<b>Max. load 3.5 kg</b>
Item	Synthetics, mixed fibres and easy care cottons.		
Note	Reduce the spin speed for fabrics which crease easily.		
<b>Delicates</b>		<b>Cold to 60°C</b>	<b>Max. load 2.5 kg</b>
Item	For delicate garments made of synthetic fibres, mixed fibres and rayon. Curtains, including net curtains, specified as machine-washable by the manufacturer.		
Notes	<ul style="list-style-type: none"> <li>– Dust in curtains usually makes using a programme with a pre-wash advisable.</li> <li>– For items which crease easily, deselect the spin.</li> </ul>		
<b>Woolens</b> 		<b>Cold to 40°C</b>	<b>Max. load 2.0 kg</b>
Item	Machine-washable or hand-washable wool or wool blend fabrics. If the care label does not specify a temperature, wash using the cold setting.		
Note	Reduce the spin speed for fabrics which crease easily.		
<b>Proofing</b>		<b>40°C</b>	<b>Max. load 2.5 kg</b>
Item	For treating microfibre fabrics, skiwear, fine, closeweave cotton garments (poplin) or tablecloths to provide a water and dirt resistant finish.		
Notes	<ul style="list-style-type: none"> <li>– The items should be freshly washed and spun or dried before proofing.</li> <li>– For best results, the items should be heat-treated afterwards, either in a tumble dryer or by ironing.</li> </ul>		

## Programme chart

<b>Express 20</b>		<b>Cold to 40°C</b>	<b>Max. load 3.5 kg</b>
Item	Cotton items that are only lightly soiled.		
Note	The Extra option <i>Short</i> is automatically activated.		
<b>Automatic plus</b>		<b>Cold to 40°C</b>	<b>Max. load 5.0 kg</b>
Item	Mixed loads of garments suitable for the <i>Cottons</i> and <i>Minimum iron</i> programmes. Sort according to colour.		
Note	The wash parameters (e.g. water level, wash rhythm and spin speed) are adjusted automatically in this programme to ensure the best possible care and wash result for each item.		
<b>Darks and denim</b>		<b>Cold to 60°C</b>	<b>Max. load 3.0 kg</b>
Item	Black and dark garments made from cotton, mixed fibres and denim.		
Notes	<ul style="list-style-type: none"> <li>– Wash inside out.</li> <li>– Denim often contains excess dye and will run during the first few washes. Wash light and dark coloured items separately.</li> </ul>		
<b>Shirts</b>		<b>Cold to 60°C</b>	<b>Max. load 2.0 kg</b>
Notes	<ul style="list-style-type: none"> <li>– Pre-treat collars and cuffs if necessary.</li> <li>– Wash silk garments on the <i>Delicates</i> programme.</li> </ul>		




## Programme chart

<b>Intensive plus</b>		<b>Cold to 90°C</b>	<b>Max. load 7.0 kg</b>
Item	Mixed loads of garments suitable for the <i>Cottons</i> and <i>Minimum iron</i> programmes. Sort according to colour.		
Notes	<ul style="list-style-type: none"> <li>– The Extra Pre-wash function is automatically activated.</li> <li>– The main wash cycle is extended.</li> </ul>		
<b>Spin</b>			
Notes	<ul style="list-style-type: none"> <li>– Drain only: Set spin speed to <i>No</i> ∞.</li> <li>– Make sure you select the appropriate spin speed.</li> </ul>		
<b>Separate rinse/Starch</b>		<b>Max. load 7.0 kg</b>	
Item	<ul style="list-style-type: none"> <li>– For rinsing handwashed items.</li> <li>– Table cloths, napkins and overalls that require starching.</li> </ul>		
Notes	<ul style="list-style-type: none"> <li>– Reduce the spin speed for items which crease easily.</li> <li>– Laundry that is to be starched should be washed but not treated with fabric conditioner.</li> <li>– To achieve particularly good rinsing results with two rinse cycles, the <i>Water plus</i> Extra option should be selected. When selecting <i>Water plus</i>, the <i>Extra rinse</i> option needs to be activated.</li> </ul>		

# Extra options

## Selectable Extra options:

	Short	Water plus	Pre-wash	Pre-wash + Soak	Extra quiet
Cottons			X	X	X
Minimum iron			X	X	X
Delicates			X		X
Woollens 					X
Proofing					X
Express 20			<b>X<sup>1)</sup></b>	X	
Automatic plus					X
Darks and denim			X		X
Shirts			X	X	X
Intensive plus			X	<b>X<sup>2)</sup></b>	
Spin					
Separate rinse/Starch			X		X

**X<sup>1)</sup>** = Extras that are preset by the programme

**X<sup>2)</sup>** = Extras that are preset by the programme cannot be deselected

# Garment care label symbols

Washing	
The figure quoted in the tub is the maximum temperature the garment can be washed at.	
	No bar under the symbol = normal agitation
	One bar under the symbol = reduced agitation
	Two bars under the symbol = much reduced agitation
	Hand wash (If no temperature is specified, use the lowest temperature or cold)
	Do not wash

Drying	
The number of dots indicates the drying temperature	
	Normal temperature
	Low temperature
	Do not tumble dry

Ironing	
The number of dots indicates the ironing temperature	
	approx. 200°C
	approx. 150°C
	approx. 110°C
	Do not iron






















## Examples of programme selection

Programme	Care label
Cottons	
Minimum iron	
Delicates	
Woollens	
Express 20	
Automatic plus	

Professional cleaning	
	Dry clean only. The letters indicate the type of cleaning agent required.
	Professional Wet Clean only
	Do not dry clean

Bleaching	
	Any oxidising bleaching agent can be used
	Only use an oxygen-based bleach or a non-chlorine bleach
	Do not bleach

# Programme sequence

	Main wash		Rinses		Spinning	
	Water level	Wash rhythm	Water level	Rinses	Interim spin	Final spin
Cottons		Ⓐ		2-3 <sup>2)</sup>	✓	✓
Minimum iron		Ⓒ		2-3 <sup>3)</sup>	✓	✓
Delicates		Ⓓ		3	–	✓
Woolens 		Ⓕ		2	✓	✓
Proofing		Ⓓ	–	–	–	✓
Express 20		Ⓑ		1-3 <sup>3)</sup>	✓	✓
Automatic plus		Ⓐ Ⓑ Ⓒ		2-3 <sup>3)</sup>	✓	✓
Darks and denim		Ⓑ		3	–	✓
Shirts		Ⓒ		2	–	✓
Intensive plus		Ⓐ		2-4 <sup>1)2)</sup>	✓	✓
Spin	–	–	–	–	–	✓
Separate rinse/ Starch	–	–		1	–	✓
See the next page for legend.						

 = Low water level

 = Medium water level

 = High water level

**(A)** = Intensive rhythm

**(B)** = Normal rhythm

**(C)** = Gentle rhythm

**(D)** = Sensitive rhythm

**(E)** = Ultra sensitive rhythm

**(F)** = Handwash rhythm

This machine has fully electronic controls with automatic load recognition. It takes in the right amount of water required for the programme depending on the amount of laundry and its absorbency rate. This means that programme cycles and durations can vary.

The programme sequences outlined in the chart are based on the basic programme with a full load. Extra options which can be selected have not been taken into account.



The display shows the stage the programme has reached.

## Special features in the programme sequences:

### Anti-crease:

The drum will continue to rotate for up to 30 minutes after the programme end to avoid creasing. Exceptions: There is no crease protection in the *Woolens* programme.

The washing machine door can be opened at any time.

- 1) Two rinses are carried out if a temperature selected is between 60°C to 90°C. Three rinses are carried out if the temperature selected is below 60°C.
- 2) A third rinse is carried out if:
  - there is too much foam in the drum
  - a spin speed lower than 700 rpm has been selected
  - No  has been selected
- 3) A third rinse is carried out if:
  - No  has been selected

# Changing the programme sequence

---

## Cancelling a programme

You can cancel a programme at any time after it has started.

- Press the *Start/Stop* button.

### Cancel programme

- Press the flashing *Start/Stop* button again.

The suds will be pumped away.

If you want to remove the laundry:

- Press the *Door* button.

If you want to select a different programme:

- Switch the machine off with the ① button.
- Switch the washing machine back on again.
- Select and start a new programme.

## Interrupting a programme

- Switch the machine off with the ① button.

To continue with the same programme:

- Switch the machine back on with the ① button.

## Changing a programme

After the start of a programme, it is no longer possible to select a different programme.

### Temperature

It is possible to select a different temperature up to 5 minutes after the programme has started.

- Press the *Temperature* button.

### Spin speed

It is possible to change the spin speed up until the final spin begins.

- Press the *Spin speed* button.

### Extra options

It is possible to select or deselect the *Short* and *Water plus* Extra options up to five minutes after the programme has started.

A programme cannot be cancelled or changed if the safety lock has been activated.

# Changing the programme sequence

## Adding or removing laundry after a programme has started

- Press the *Door* button to open the drum door.
- Add or remove items.
- Close the drum door.

The programme will continue automatically.

### Please note:

Once a programme has started, the machine cannot recognise any adjustment to the load.

For this reason, if laundry is added or removed after the start of a programme, the machine will always complete the programme cycle assuming a full load which can lead to an increase in the programme duration shown in the display.

### **The door cannot be opened, if:**

- the suds temperature is above **55°C**.
- the water is above a certain level.
- the programme has reached the *Final spin* stage.
- the safety lock has been activated.

If you press the *Door* button when the above conditions are present, the following will appear in the display:

 Door locked

## Safety lock

The safety lock prevents the machine from being opened, the programme from being cancelled or the machine from being switched off during a wash programme.

### **To activate the safety lock**

- Press and hold in the *Start/Stop* button after the programme has started.

Stop or in 3 secs 

- Keep the *Start/Stop* button pressed in until the time has elapsed and the following appears in the display:

Locked 

The safety lock is now activated. It is deactivated automatically at the end of the programme.

### **To deactivate the safety lock**

- Press and hold in the *Start/Stop* button after the programme has started.

Unlock in 3 secs 

- Keep the *Start/Stop* button pressed in until the time has elapsed and the following appears in the display:

Unlocked 

# Detergent

## The correct detergent

All modern detergents produced for automatic front loading washing machines are suitable. Refer to the manufacturer's label on the packaging to get information on the use and the dosage.

	Detergent for universal fabrics*	Detergent for coloured fabrics*	Detergent for delicates	Special detergent *	Proofing agent**	Fabric softener
Cottons	X	X	–	–	–	X
Minimum iron	X	X	–	–	–	X
Delicates	X	X	X	–	–	X
Woollens 	–	–	–	X	–	X
Proofing	–	–	–	–	X	–
Express 20 <sup>1)</sup>	X	X	–	–	–	X
Automatic plus	X	X	–	–	–	X
Darks and denim <sup>1)</sup>	X	X	X	–	–	X
Shirts	X	X	–	–	–	X
Intensive plus	X	X	–	–	–	X
Separate rinse/ Starch	–	–	–	X	–	X



- 1) Use liquid detergent
  - 2) Use powder detergent
- \* Miele special detergents:  
Washing detergents which were specifically designed for certain programmes or items (e.g. Miele CareCollection).
- \*\* Only use proofing agents which are stated by the manufacturer as being "suitable for use on membrane textiles" as these consist of fluorochemical compounds. **Do not** use proofing agents which contain paraffin. Fill the detergent drawer ☼ with proofing agent.

All modern detergents produced for automatic **front loading** washing machines are suitable. Use dispensing aids, e.g. balls, if these are supplied with the detergent. Tablets are suitable for full loads, but note that it may be impractical to reduce tablets for smaller loads. Some tablets do not dissolve as rapidly as others, and may not be suitable for programmes with short durations.

Do not use biological detergents on silk as the enzymes may damage the silk! Instructions for use and recommended dosage amounts are given on the detergent packaging.

For programmes without Pre-wash or Delay start, liquid detergent can either be dispensed placing a ball-shaped container (commonly provided by the detergent manufacturer) straight onto the laundry load or alternatively dispensed through the detergent dispenser drawer. For programmes with Pre-wash or Delay start (where applicable), an additional liquid detergent dispenser insert (Material number 6134691) is available from Miele.

# Detergent

---

## The right amount to dispense will depend on the following:


- The quantity of laundry.
- The soiling level of the laundry.
  - Lightly soiled  
No visible dirt or stains. Possibly slight body odour.
  - Normally soiled  
Visibly dirty and/or just a few slight stains.
  - Heavily soiled  
Stains and soiling clearly visible.
- The water hardness level.
- Check with your local water supplier if you do not know the water hardness level in your area.

## Water softeners

A water softener can be used to cut down on the use of detergents in hard water areas. Dispense according to the amount specified on the packaging. First add detergent and then the water softener.

Use a quantity of detergent as for soft water.

## Washing with several components

If you wash using several components (e.g. special application detergents), dispense them into compartment  in the following order:

1. Detergent
2. Water softener
3. Stain remover

This way the agents are distributed more efficiently.

## Fabric conditioners and liquid starch

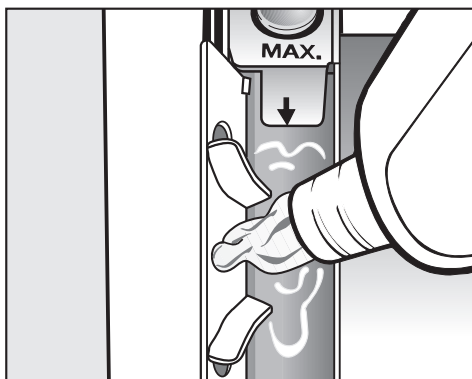
### Starch

stiffens and gives body to items of laundry, e.g. shirts, tablecloths and bed linen.

### Fabric conditioners

make garments soft to handle and help prevent static cling when tumble drying.

## Automatic dispensing of fabric conditioner or liquid starch to laundry at the end of a programme



- Add the fabric conditioner or the liquid starch to compartment ☼. **Do not exceed the maximum level mark.**

It will be automatically dispensed in the last rinse. At the end of the programme a small amount of water remains in the fabric conditioner compartment ☼.

If starching frequently, thoroughly clean the dispenser compartment, especially the siphon tube and fabric conditioner channel, regularly. See "Cleaning the detergent dispenser drawer". Do not use powder starch formulations or viscous liquid starch in the compartment as it will clog up.

## Adding fabric conditioner or starch separately

- Dispense in accordance with manufacturer's instructions on the packaging.
- Add powder or viscous starch to compartment ▮. Add the fabric conditioner or liquid starch to compartment ☼.
- Turn the programme selector to *Separate rinse/Starch*.
- Select a spin speed.
- Press the *Start/Stop* button.

## Colour run and dye removers/dyes

- Do not use colour run or dye removers in this machine.
- Dyes suitable for use in domestic washing machines can be used. However, please note that the salt used in the dyeing process can cause corrosion to stainless steel components in the machine if you dye frequently. Follow the manufacturer's instructions carefully.

## Cleaning and care

### Cleaning the drum (Hygiene Info)

If you only wash at low temperatures or with liquid detergent over a long period of time, organic deposits and unpleasant odours can form in the machine. To clean the drum and prevent the formation of unpleasant odours, the *Cottons 75°C* programme should be run with a universal detergent at least once a month or when the message **Hygiene Info** appears in the display.

### Cleaning the external casing and fascia panel

⚠ Disconnect the machine from the mains electricity supply and withdraw the plug from the socket before cleaning the machine.

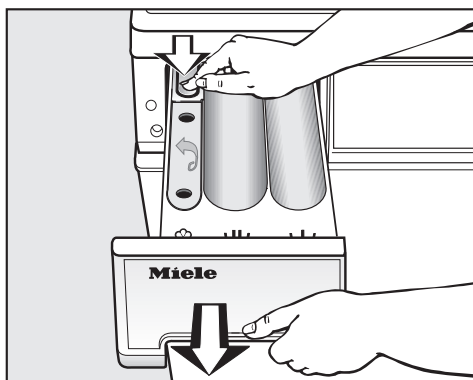
⚠ The washing machine must not be hosed down.

- Clean the casing with a mild non-abrasive cleaning agent or soap and water. Wipe dry with a soft cloth.
- The drum can be cleaned using a suitable proprietary stainless steel cleaning agent following the manufacturer's instructions on the packaging.

⚠ Do not use solvents, abrasive cleaners, glass cleaners or all-purpose cleaning agents. These might damage plastic surfaces and other components because of the chemicals they contain.

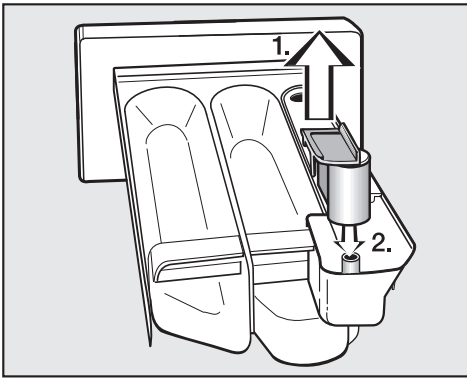
### Cleaning the detergent dispenser drawer


The two main detergent compartments of the dispenser drawer are self-cleaning. The entire drawer should be removed and cleaned regularly for hygienic reasons.



- Pull out the detergent dispenser drawer until a resistance is felt. Press down the release catch and at the same time pull the drawer right out of the machine.
- Clean the detergent drawer with warm water.

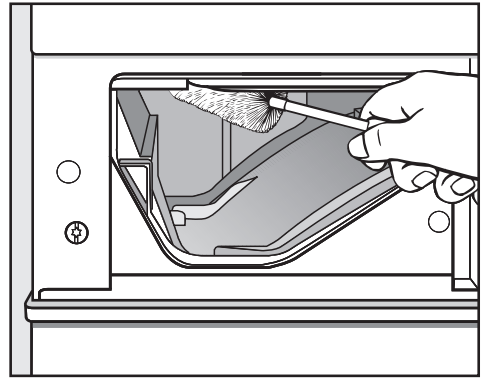
- Clean the siphon.



1. Remove the siphon from compartment  and rinse under warm running water. Clean the siphon tube in the same way.
2. Replace the siphon.

If starching frequently, thoroughly clean the siphon and siphon tube regularly. A build-up of starch will cause them to become clogged.

- Cleaning the detergent dispenser drawer housing



- Use a bottle brush to remove detergent residues and limescale from the jets inside the detergent dispenser drawer housing.

# Cleaning and care

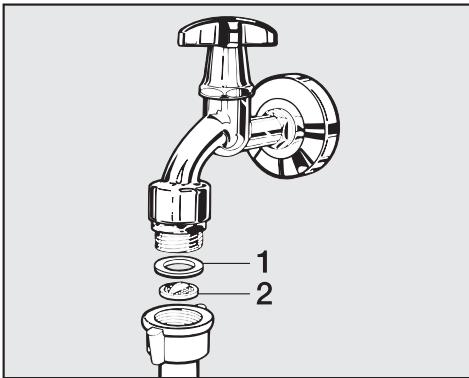
## Cleaning the water inlet filters

The washing machine has two filters to protect the inlet valves.

These filters should be checked every six months or so, or more often if there are frequent interruptions to the water supply.

### To clean the filter in the union in the open end of the inlet hose:

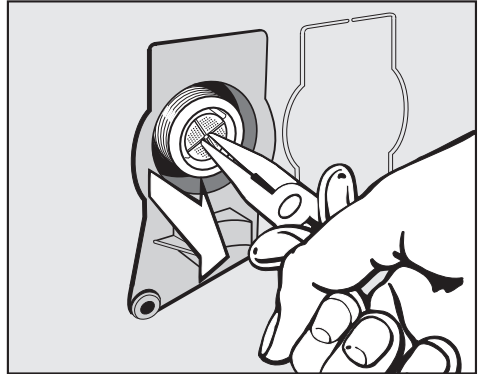
- First turn off the tap.
- Unscrew the threaded union connecting the free end of the inlet hose to the tap.



- Remove the rubber seal **1** from the recess.
- Using pointed pliers, take hold of the plastic filter bar **2**, remove the filter and clean.
- Put the filter and seal back in the reverse order and reconnect the hose.
- Turn on the tap and check the connection is watertight.

### To clean the filter in the water inlet valve

- Using pliers, carefully loosen the ribbed plastic nut on the inlet valve and unscrew.




- Use water pump pliers to withdraw the plastic filter by the bar (see illustration). Clean, put back and secure.

The two filters **must** be put back in place after cleaning.

## What to do if . . .

With the help of the following notes, minor faults in the performance of the machine, some of which may result from incorrect operation, can be put right without contacting Miele. Please note that a call-out charge will be applied for unnecessary service visits where the problem could have been rectified as described in these Operating instructions.





 Repair work to electrical appliances should only be carried out by a suitably qualified person in accordance with current local and national safety regulations. Repairs and other work by unqualified persons could be dangerous. The manufacturer cannot be held liable for unauthorised work.

### The programme does not start

Problem	Possible cause	Remedy
<b>The display remains dark, and the <i>Start/Stop</i> button indicator light does not come on.</b>	There is no power to the machine.	Check whether <ul style="list-style-type: none"><li>– the mains plug is plugged in and switched on.</li><li>– the fuse or circuit breaker has tripped.</li></ul>
<b>You are asked to enter a code.</b>	Access via a code has been activated.	Enter the code and confirm the entry. Deactivate the code if you do not wish this message to appear in the display the next time the machine is switched on.
<b>The display is dark.</b>	The display has switched off automatically to save energy (Standby mode).	Press a button. Standby comes to an end.

## Problem solving guide

The following fault message appears in the display and the programme has been cancelled.

Fault message	Possible cause	Remedy ❶
 Drain fault	<ul style="list-style-type: none"><li>– The water outlet is blocked or restricted.</li><li>– The drain hose has been fixed too high.</li></ul>	<ul style="list-style-type: none"><li>– Clean the fluff filter and drain pump.</li><li>– The maximum drain height is 1 m.</li></ul>
 Water inlet fault	The water inlet is blocked or restricted.	Check whether <ul style="list-style-type: none"><li>– the tap has been opened properly.</li><li>– the inlet hose is kinked.</li><li>– the water pressure is too low.</li></ul>
 Waterproof fault	The water protection system has reacted.	<ul style="list-style-type: none"><li>– Close the tap.</li><li>– Call Miele.</li></ul>
 Technical fault	There is a fault.	Start the programme again. If the fault message appears again, contact Miele.

❶ To switch off the fault message: Switch the machine off with the ⏻ button.



## Problem solving guide


### The following message appears in the display

<b>Fault message</b>	<b>Possible cause</b>	<b>Remedy</b>
<b>Chk detergent</b>	Excessive foam has built up during washing.	Use less detergent next time and follow the manufacturer's instructions on dosage given on the packaging.
<b>Hygiene info</b>	A programme of at least 60°C has not been run for a long period of time.	Run the <i>Cottons 75°C</i> programme with a universal detergent to prevent the formation of organic deposits and unpleasant odours in the machine.

The messages appear at the end of a programme and when the washing machine is switched on.

## Problem solving guide

General problems		
Problem	Possible cause	Remedy
<b>The machine shakes during the spin cycle.</b>	The machine feet are not level.	Level the machine (see "Installation").
<b>The laundry has not been spun properly and is still wet.</b>	The machine detected an imbalance during the final spin and reduced the spin speed automatically.	Include both large and small items in the load as this will give better distribution.
<b>The laundry has not spun satisfactorily.</b>	The spin speed selected was too low.	Select a higher spin speed next time.
<b>The pump makes strange noises.</b>	This is not a fault! These noises occur at the end of a pump sequence as a normal part of the operation.	
<b>There is a lot of detergent residue in the detergent drawer.</b>	The water pressure is too low.	<ul style="list-style-type: none"> <li>– Clean the water inlet filter.</li> <li>– Select Water plus.</li> </ul>
	Powder detergent used with water softeners can be sticky.	Add washing powder and then add the water softener.
<b>Fabric conditioner is not completely dispensed or too much water remains in the compartment.</b> ☼	The siphon tube is not correctly positioned or is clogged up.	Clean the siphon, (see "Cleaning and care - Cleaning the detergent dispenser drawer").
<b>The display is in a different language.</b>	A different language has been selected in the Programmable functions - Language 🚩 menu.	Set the language you want. The flag symbol will guide you.
<b>When laundry is dry, it feels hard to the touch.</b>	Too vigorous wash action.	Programme in gentle action and more water.
	Not enough detergent used.	Increase detergent dose to prevent limescale build-up in laundry.
	No fabric conditioner used	Use fabric conditioner in last rinse.

<b>An unsatisfactory wash result</b>		
<b>Problem</b>	<b>Possible cause</b>	<b>Remedy</b>
<b>Liquid detergent does not give the required result.</b>	Liquid detergents do not contain bleaching agents. They do not remove fruit, coffee and tea stains.	<ul style="list-style-type: none"> <li>– Use a general purpose detergent containing a bleaching agent.</li> <li>– Add stain remover to the compartment .</li> <li>– Never put stain removers and liquid detergent together in the dispenser drawer.</li> </ul>
<b>Grey, greasy particles cling to washed laundry.</b>	Insufficient amounts of detergent were used. The laundry was heavily soiled with grease.	<ul style="list-style-type: none"> <li>– Use more detergent.</li> <li>– Before washing the next load, run a Cottons 60°C programme with liquid detergent but without a load.</li> </ul>
<b>White residues which look like powder detergent are seen on dark textiles after washing.</b>	The detergent contained compounds (zeolites) to aid water softening which are not soluble in water. These have stuck to fabrics.	<ul style="list-style-type: none"> <li>– Try and brush off the residues with a soft brush once the laundry is dry.</li> <li>– Wash dark textiles using a detergent which contains no zeolites. Liquid detergents usually contain no zeolites.</li> <li>– Use the <i>Dark garments</i> programme.</li> </ul>

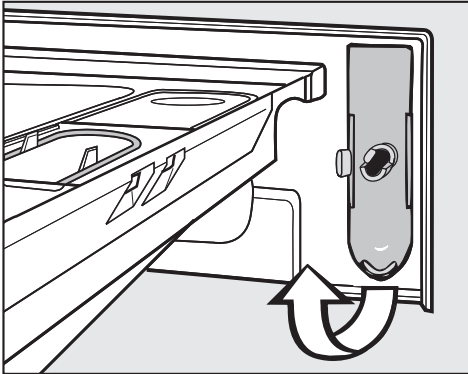
## Problem solving guide

<b>The drum door does not open when you press the Door button</b>	
<b>Possible cause</b>	<b>Remedy</b>
<b>The machine is not connected to the electricity supply and/or is not switched on.</b>	Insert the plug in the socket and switch on and/or switch the machine on with the Ⓛ button.
<b>The safety lock has been activated.</b>	Deactivate the safety lock as described in "Changing the programme sequence - Safety lock".
<b>Access via a code has been activated.</b>	Deactivate the code as described in "Programmable functions - Code".
<b>Power cut.</b>	Open the drum door as described in the next section.
<b>The door was not correctly engaged.</b>	Press hard against the lock side of the drum door and then press the <i>Door</i> button.
<b>There is still water in the drum and the machine is unable to drain.</b>	Clean the drain filter and drain pump as described in the next section.
For safety reasons, the drum door cannot be opened if the suds temperature is higher than 55°C.	

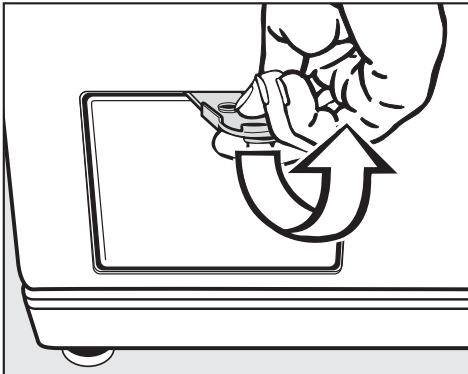
## Opening the drum door in the event of a blocked drain outlet and/or power failure

- Switch the washing machine off.

There is a filter flap opener behind the detergent drawer fascia panel.



- Remove the opener.



- Use it to open the access flap.

## Blocked drain outlet

If the drain outlet is clogged, more water will be retained in the machine (**up to 25 litres**).

⚠ Caution: If laundry has been washed at a high temperature, water draining out of the machine will still be hot. Danger of scalding!

## Procedure for draining the machine

- Place a suitable container under the access flap.

When draining water from the machine, do **not** unscrew the drain filter completely or take it right out.



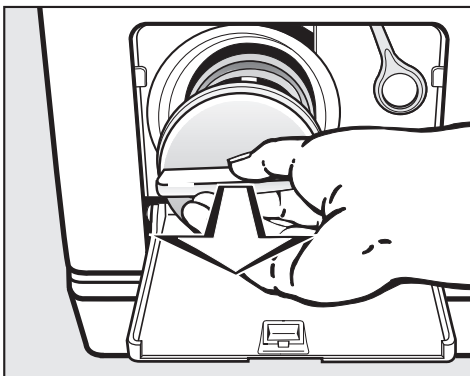
- Turn the drain filter lid round until water runs out.

To interrupt the flow of water:

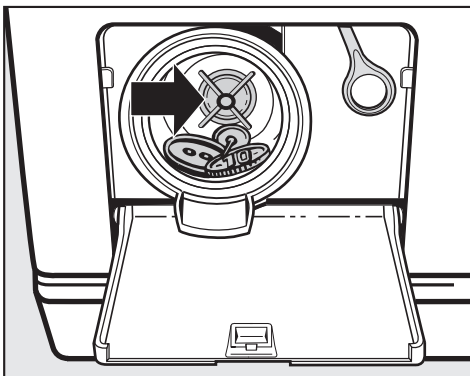
- Tighten the drain filter back up again.

## Problem solving guide


Once the flow of water ceases:



- Remove the drain filter completely.
- Clean the drain filter thoroughly.




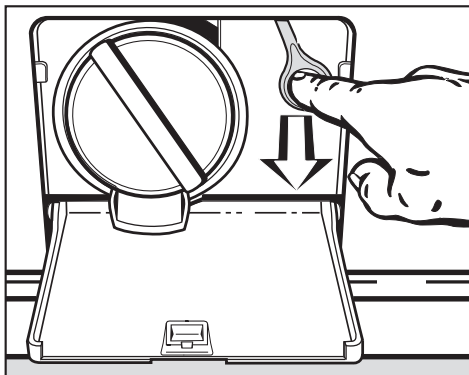
- Remove any foreign objects (e.g. buttons, coins, etc.) and fluff. Turn the impeller by hand to check that it rotates freely. Any foreign object causing an obstruction should be removed.
- Put the drain filter back in place and secure.

 Make sure the drain filter is securely tightened. Otherwise there is a risk of water leakage during use.

To activate the ball valve and prevent a loss of washing detergent, pour approx. 2 litres of water through the detergent dispenser drawer after cleaning the drain filter.

### Opening the drum door

 Always make sure that the drum is stationary before reaching into the machine to remove laundry. Reaching into a moving drum is extremely dangerous.

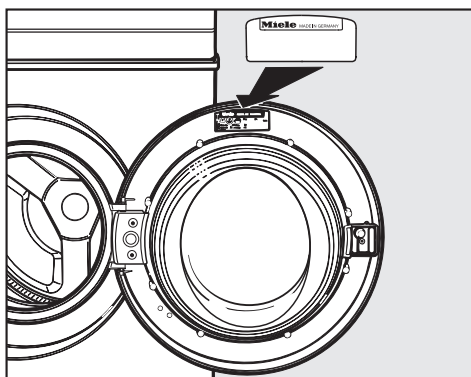


- Pull the emergency release downwards (see illustration). The drum door will open.

In the event of any faults which you cannot remedy yourself, please contact:

- Miele (see back cover for contact details).

When contacting Miele, please quote the model and serial number of your appliance, both of which are shown on the data plate visible at the top inside the door above the porthole glass when the door is open.



### Future updates (PC)

The indicator light marked PC allows a service technician to update your machine in future years.

If, for example, new programmes are developed or new fabrics are introduced, a Miele service technician will be able to modify existing programme cycles accordingly.

Miele will provide information when such developments become available.

### Appliance warranty

The appliance has a manufacturer's warranty of 2 years.

See the warranty card supplied with the machine for further details.

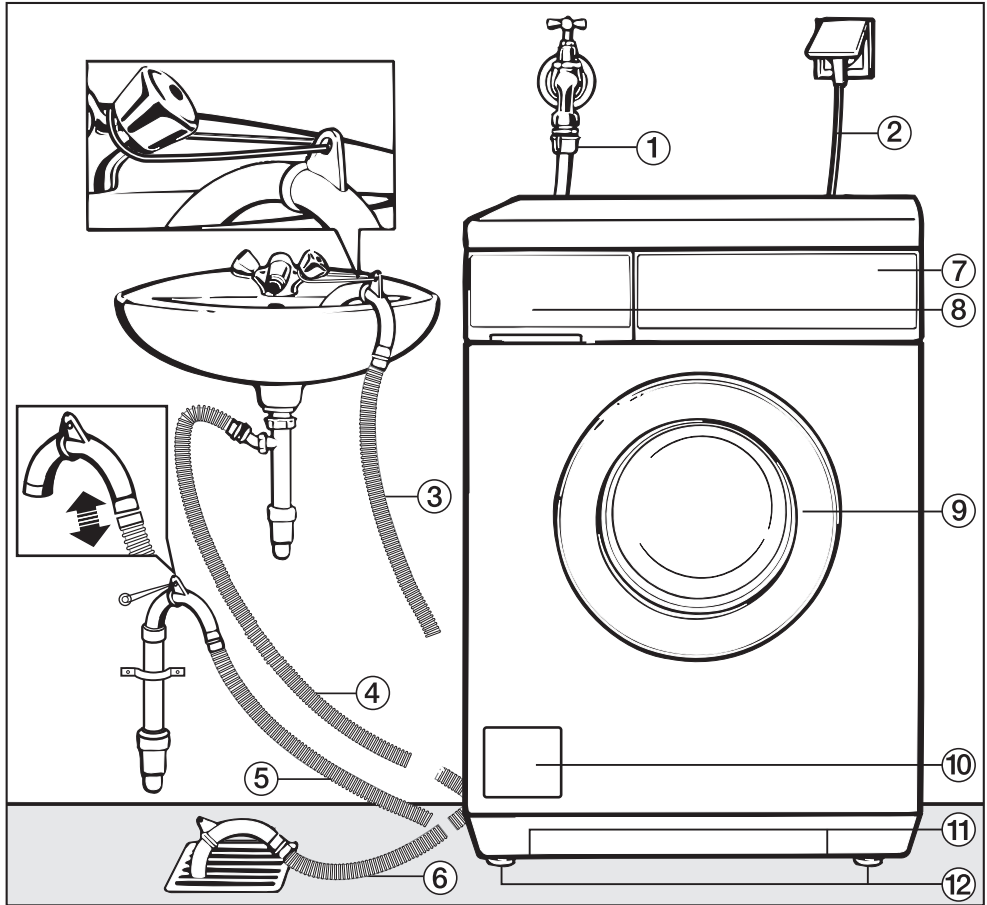
### Optional accessories

Optional accessories for these washing machines are available from Miele.

Please note that telephone calls may be monitored and recorded to improve our service.

# Installation and connection

## Front view



① Inlet hose (tested to withstand pressure of at least 7000 kPa)

② Electricity supply cable

③ - ⑥ Flexible drain hose (with detachable swivel elbow)

⑦ Facia panel with controls

⑧ Detergent dispenser drawer

⑨ Drum door

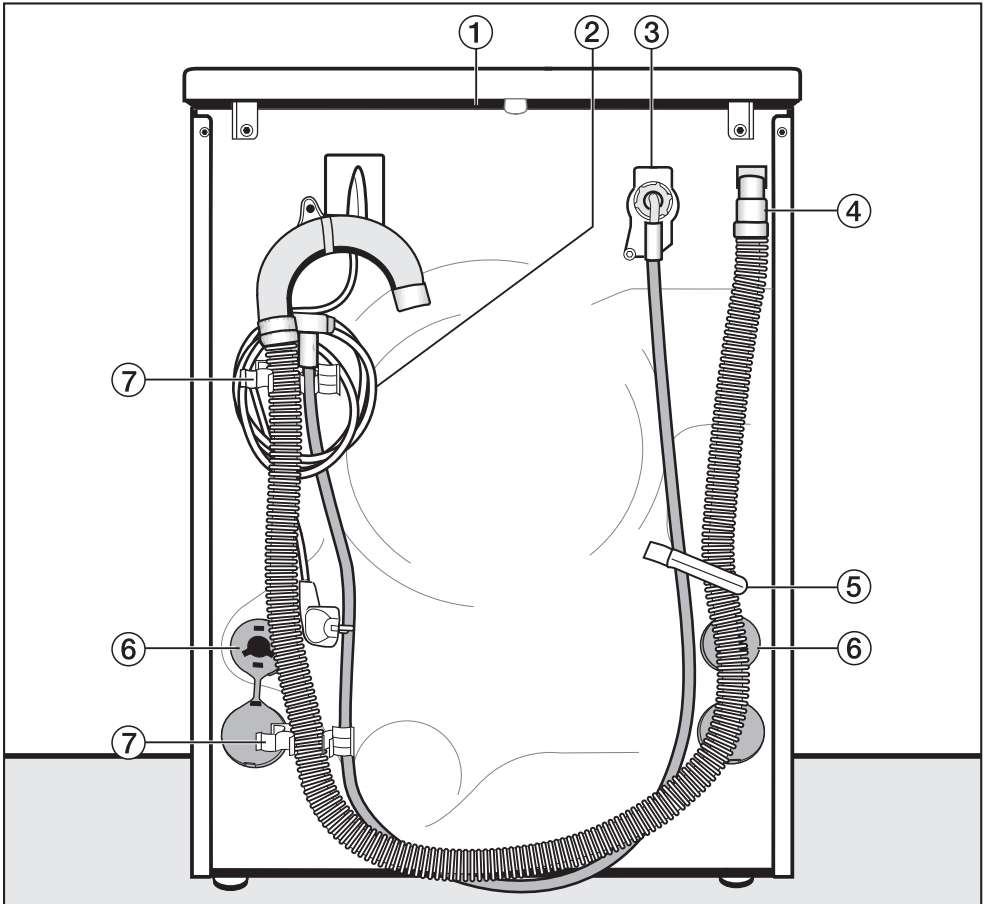
⑩ Flap for fluff filter, drain pump and emergency release

⑪ Handle recesses for moving the machine

⑫ Four height adjustable feet



## Rear view



① Protruding lid for holding when moving the machine

② Electrical connection

③ Inlet hose (tested to withstand pressure of at least 7,000 kPa)

④ Drain hose

⑤ Transport brackets for inlet and drain hoses

⑥ Transit bar covers

⑦ Transport brackets for inlet and drain hose and restraining clips for transit bars

# Installation and connection

## Installation surface

A concrete floor is the most suitable installation surface for a washing machine, being far less prone to vibration during the spin cycle than wooden floorboards or a carpeted surface.

Please note:

- The machine must be level and securely positioned.
- To avoid vibrations during spinning, the machine should not be installed on soft floor coverings.

If installing on a wooden joist floor:

- We recommend a plywood base (at least 59x52x3 cm). The base should span several joists and be bolted to the joists and not only to the floorboards. Check for the presence of pipes and cables first.

If possible, install the machine in a corner as this is usually the most stable part of the floor.

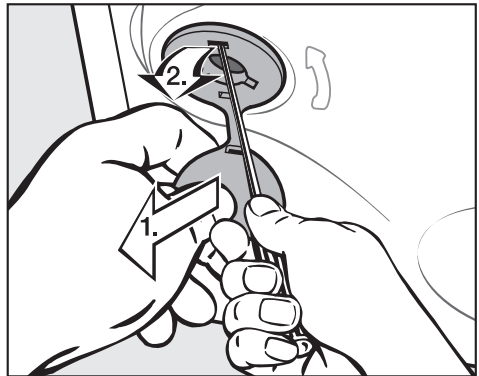
⚠ If the machine is installed on a raised plinth, it **has to be secured** against slippage during spinning using retaining clips (available from Miele).

## Installing the washing machine

To manoeuvre the machine out of its packing case to its installation site, hold it by the edge of the lid where it protrudes to the rear of the washing machine as well as by the handle recesses at the front.

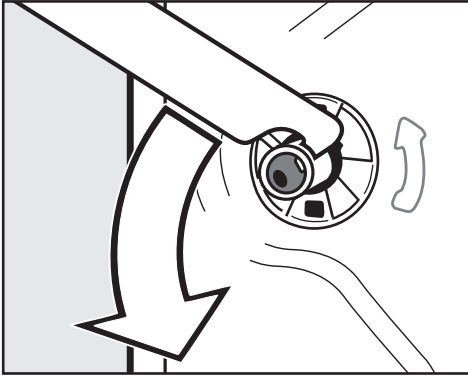
⚠ Ensure that the machine feet and the floor are dry to prevent the machine from slipping during the spin cycle.

## Removing the transit bars

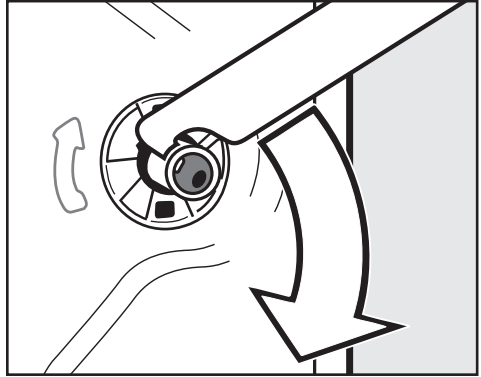


- To remove the left and right covers
  1. Pull off the transit bar covers and
  2. use a screwdriver to prise out the covers.

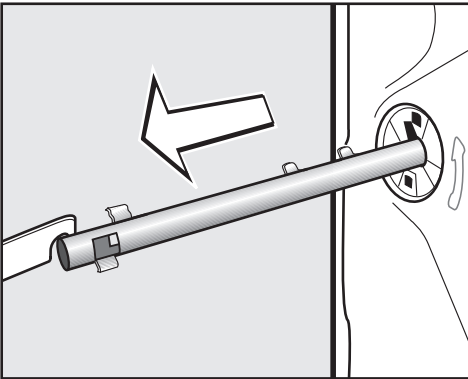
## Installation and connection



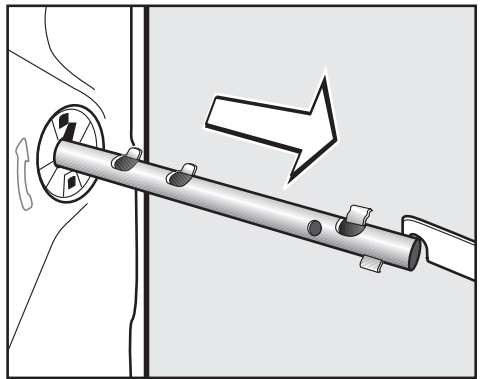
- Using the spanner supplied, turn the left-hand transit bar 90°, then



- Turn the right-hand transit bar 90°, then




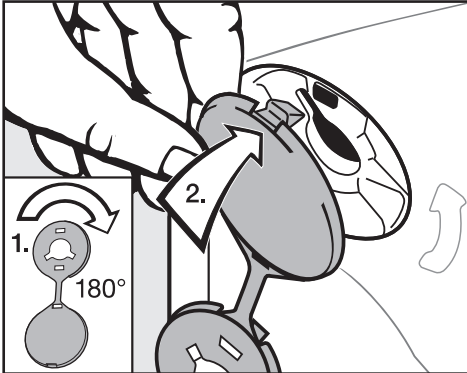
- withdraw the transit bar.



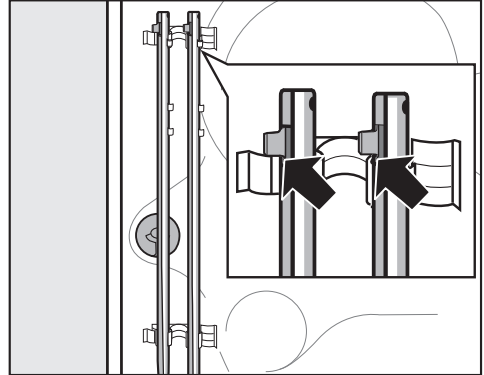
- withdraw the transit bar.

## Installation and connection


 To avoid the risk of injury, the holes for the transit bars must be covered after the transit bars have been removed.



- Fit the covers onto the two holes.



- Secure the transit bars to the back of the washing machine. Make sure that the upper hooks are above the retainers.

 The machine must not be moved without the transit bars in place. Store them as shown or keep them in a safe place for future use. They must be re-fitted if the machine is to be moved again (e.g. when moving house).

### Re-fitting the transit bars

Re-fitting is carried out by reversing the procedure.

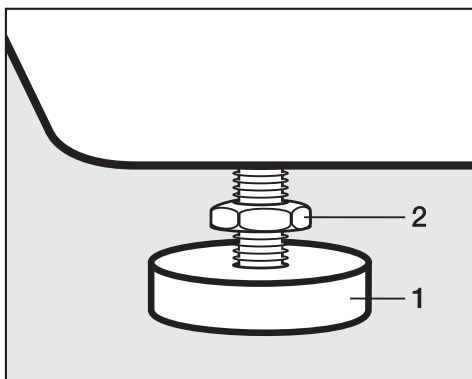
## Levelling the machine

The machine must stand perfectly level on all four feet to ensure safe and proper operation.

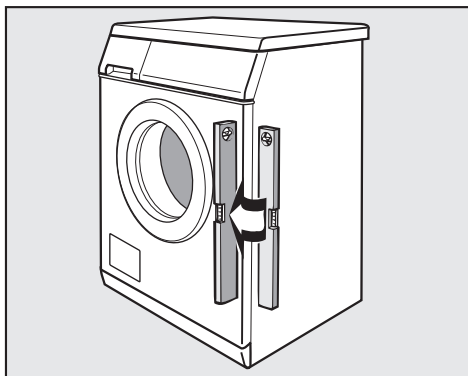
Failure to level the machine can result in the machine "banging" in the spin cycle or "walking" across the floor during operation.

## Screwing out and adjusting the feet


The four adjustable screw feet are used to level the machine. All four feet are screwed in when the machine is delivered.



- Using the spanner supplied, turn counter nut **2** in a clockwise direction. Then turn counter nut **2** together with foot **1** to unscrew.



- Use a spirit level to check the machine is standing level.
- Hold foot **1** securely with a pipe wrench. Turn counter nut **2** again using the spanner supplied until it sits firmly up against the housing.

 All four counternuts must be firmly up against the housing. Please also check this for the feet which did not need adjustment. Otherwise there is the danger of the machine moving about.

# Installation and connection

## Building under a continuous worktop / in a kitchen run

- A special building under conversion kit\* is required.  
The machine lid must be replaced by a cover plate. To ensure electrical safety, the cover plate must be fitted. \*\*

### N.B.\*\*

If you wish to push your machine under a worktop and there is space to do this **without removing the lid**, the conversion kit is not necessary. Otherwise the conversion kit is essential.

- For installation under a work surface 900/910 mm from the floor, a raising kit\* is required.
- Connections for electricity, water and drainage should be installed in such a way that they remain accessible when the machine is in place.

Fitting instructions are supplied with the conversion kit.

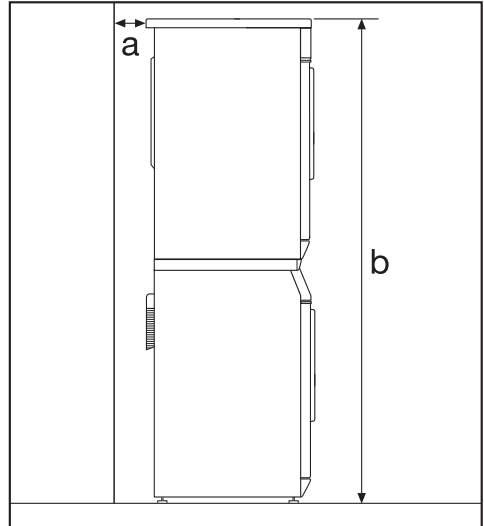
All parts marked\* are available from Miele.

The fitting of cover plates and stacking kits must only be undertaken by qualified and competent persons, in accordance with the instructions supplied with the kit.

## Washer and Dryer stack


A Miele tumble dryer can be stacked with the washing machine. A stacking kit\* is necessary and can be purchased from Miele.

### Please note



**a** Safety distance to wall:  
at least 2 cm

**b** Height:  
Stacking kit with pull-out shelf:  
approx. 169 cm  
Stacking kit without pull-out shelf:  
approx. 170 cm

 A washer and dryer should never be stacked without using the proper stacking kit. Doing so is extremely dangerous as the dryer may vibrate off of the washing machine during use.

## The Miele water protection system

The Miele water protection system protects all parts of the washing machine from water damage.

The system consists of three main components:

- 1) the inlet hose
- 2) the electronic unit and the washing machine housing
- 3) the drain hose

### 1) Inlet hose

- The inlet hose can withstand pressure of more than 7000 kPa.

### 2) Electronic unit and washing machine housing

- Sump

Any leaking water is collected in a sump in the base of the machine. A float switches off the safety valves, preventing any more water flowing into the machine and water in the suds container is pumped away.

- Overflow protection

This prevents the washing machine taking in too much water. If the water level exceeds a certain level, the drain pump switches in and pumps the excess water away.

### 3) Drain hose

The drain hose is protected by a ventilation system which prevents the washing machine from being emptied completely.

# Installation and connection

---


## Connection to the water supply

**IMPORTANT:** Australia and New Zealand  
This appliance must be installed according to AS/NZS 3500.1. Backflow prevention is already integrated in the appliance.

The machine should be connected to a mains water supply in accordance with current local and national safety regulations.

The machine is designed to operate with a flow pressure of between 100 kPa and 1000 kPa. If it is higher than 1000 kPa, it is essential to fit a pressure reducing valve.

Connection to the mains water supply should incorporate a mains tap with  $\frac{3}{4}$ " thread. The tap should be fitted by a qualified plumber.

 The connection point is subject to mains water pressure. Turn on the tap slowly and check for leaks. Correct the position of the washer and union if appropriate.

The washing machine is **not** suitable for connection to a hot water supply, and connection to a household water softener is not recommended.

## Maintenance and care

Only use a genuine Miele hose should you ever need a replacement or extension. These are tested to withstand pressure of at least 7000 kPa.

In order to protect the water inlet valve, the two dirt filters - one in the open end of the inlet hose, one at the inlet point in the machine- must not be removed.

## Extension hose

- Longer hoses 2.5 or 4.0 m in length are available from Miele as optional extras.

This appliance incorporates backflow protection complying with ATS 5200.101. No further backflow protection is required for connection to the water supply.



## Connection to the drainage system

The machine drains via a drain pump with a delivery head of 1 metre\*. The drain hose must not be kinked as this restricts drainage. The swivel elbow at the end of the hose can be turned in either direction, or can be detached if required, with a sharp twist and pull.

If required, the drain hose can be extended to a length of 5 m. The necessary parts can be purchased from Miele.

\* For a delivery head more than 1 m (up to a max. of 1.8 m), a second duo-drain pump is available with the corresponding kit from Miele.

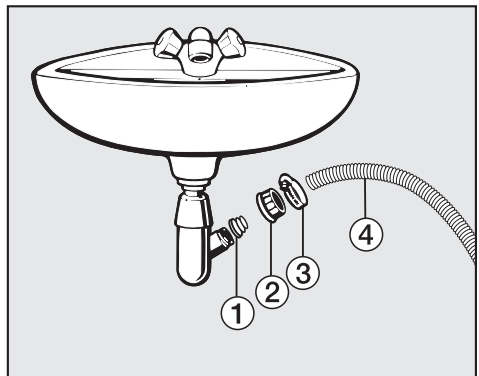
### Drain hose connection:

1. Direct into a sink or basin:

Please note the following:

- Hook the hose over the edge and secure.
  - Make sure that the water can drain away freely without hindrance. Otherwise there is a risk of water overflowing or of some of the drained water being sucked back into the machine.
2. Connected securely to a plastic drain pipe with a rubber nipple. There is no need to use a non-return valve.
  3. Connected securely to a standpipe.
  4. Connected securely to a floor gully.

Please note:



① Adapter\*

② Nut\*

③ Hose clip\*

④ End of the hose

■ Fit adapter ① to the sink drain outlet using nut ②.

■ Attach the end of the hose ④ to adapter ①.

■ Use a screwdriver to tighten hose clip ③ up close to the nut.

\* Not supplied with washing machine.

# Installation and connection

---

## Electrical connection

The washing machine is supplied with a mains cable with moulded plug for connection to a 230V mains supply.

The voltage, rated load and plug rating are given on the data plate. Please ensure these match the household mains supply.

The accessibility of the plug must always be ensured in order to separate the washing machine from the mains.

All electrical work should be carried out only by a suitably qualified and competent person, in strict accordance with national and local safety regulations.

For extra safety, it is advisable to install a residual current device (RCD), with a trip current of 30 mA.

Ensure power is not supplied to the appliance until after installation work has been carried out.

Connection should be made via a suitable switching socket which is easily accessible after installation in order to separate the washing machine from the mains.

Do not connect via an extension lead. Extension leads do not guarantee the required safety of the appliance (e.g. danger of overheating).

**WARNING: THIS APPLIANCE  
MUST BE EARTHED**

## Technical data

Height	850 mm
Width	595 mm
Depth	610 mm
Depth with door open	993 mm
Height for building under	820 mm*
Width for building under	600 mm
Depth for building under	600 mm
Weight	98 kg
Capacity	7.5 kg dry laundry
Voltage	See data plate
Rated load	See data plate
Fuse rating	See data plate
Consumption data	see "Consumption data"
Water flow pressure minimum	100 kPa (1 bar)
Water flow pressure maximum	1000 kPa (10 bar)
Inlet hose length	1.60 m
Drain hose length	1.50 m
Connection cable length	1.60 m
Drain pump head max.	1.00 m
Drain pump length max.	5.00 m
LEDs	Class 1
Test certificates awarded	See data plate
Power consumption when machine is switched off	0.25 W
Power consumption in standby mode	2.0 W

\* Including building under kit. See "Installation and connection".

# Consumption data

---

## Consumption data for the nominated energy labelling programme according to AS/NZS 2040.1 & AS/NZS 2040.2 Standard


	Load	Consumption data		
		Energy in kWh	Water in litres	Duration Normal Cold Water
<b>Cottons</b>	◀40°C 7.5 kg	0.56	62	2 h 24 min

### Notes for test institutes:

- Detergent **must** be dispensed via the detergent dispenser drawer.

Consumption data can vary from the nominal values given depending on water pressure, water hardness, water inlet temperature, room temperature, type and volume of load, fluctuations in the electricity supply and any Extra options selected.

# Consumption data

		Load	Consumption data			
			Energy in kWh	Water in litres	Duration	Residual moisture
<b>Cottons</b>	90°C	7.5 kg	2.20	55	2 h 19 min	50%
	$\langle 60^{\circ}\text{C} \rangle$	7.5 kg	1.05	55	2 h 09 min	50%
	$\langle 60^{\circ}\text{C} \rangle$	3.5 kg	0.64	45	1 h 12 min	50%
	$\langle 40^{\circ}\text{C} \rangle^*$	7.5 kg	0.56	62	2 h 24 min	–
	$\langle 40^{\circ}\text{C} \rangle$	3.5 kg	0.45	45	59 min	50%
<b>Minimum iron</b>	40°C	3.5 kg	0.50	50	1 h 08 min	30%
<b>Delicates</b>	30°C	2.0 kg	0.38	69	59 min	–
<b>Woolens</b> 	30°C	2.0 kg	0.23	39	39 min	–
<b>Proofing</b>	40°C	2.5 kg	0.35	12	40 min	–
<b>Express 20</b>	40°C	3.5 kg	0.32	30	20 min	–
<b>Automatic plus</b>	40°C	5.0 kg	0.52	62	1 h 29 min	–
<b>Darks and denim</b>	40°C	3.0 kg	0.60	52	1 h 12 min	–
<b>Shirts</b>	60°C	2.0 kg	0.95	59	1 h 12 min	–
<b>Intensive plus</b>	60°C	7.0 kg	1.65	72	2 h 47 min	–

## Note for test institutes:

\* AS/NZS 2040.1 & AS/NZS 2040.2

Consumption data can vary from the nominal values given depending on water pressure, water hardness, water inlet temperature, room temperature, type and volume of load, fluctuations in the electricity supply and any additional options selected.

Cottons temperatures denoted by a border ( $\langle 60^{\circ}\text{C} \rangle / \langle 40^{\circ}\text{C} \rangle$ ) indicate labelling programmes as designated by European Union standards only. For labelling parameters conforming to AS/NZS 2040.1 & AS/NZS 2040.2, please refer to the previous page of this booklet.

# Programmable functions

---

The programmable functions are used to alter the machine's electronics to suit changing requirements. Programmable functions can be altered at any time.

## To access programmable functions

The programmable functions are accessed via the *Start/Stop* button and the programme selector.

Before you begin, first ensure that:

- The washing machine is switched off.
- The machine is properly closed.

- 1 Press the *Start/Stop* button and keep it pressed in whilst carrying out steps 2-3.
- 2 Press the  $\text{\textcircled{1}}$  button in.
- 3 As soon as . . .

Language  $\text{\text{†}}$ ..

. . . appears in the display, release the *Start/Stop* button.

## To select a programmable function

- 4 Turn the programme selector until the programmable function you require appears in the display.
- 5 Press the *Start/Stop* button to confirm your selection.

## To alter a programmable function

You can see the different options available for a programmable function by turning the programme selector.

The option which is currently set will have a tick  $\checkmark$  beside it.

- 6 Turn the programme selector until the option you want appears in the display.
- 7 Press the *Start/Stop* button to activate this option.

## To come out of programmable functions

- 8 Turn the programme selector until *Back*  $\text{\text{†}}$  appears in the display.
- 9 Press the *Start/Stop* button.

## Language $\text{\text{†}}$

The display can be set to appear in one of several different languages.

The flag  $\text{\text{†}}$  after the word *Language* acts as a guide to prevent a language which will not be understood from being set.

The language selected is saved to memory.

## Water plus

This programmable function is used to select the water intake setting for the *Water plus* Extra option.

There are three different options:

### Water +

(the machine is delivered with this option selected)

The water level is increased in the wash and rinse stages.

### Extra rinse

An extra rinse is introduced.

### Water + and Extra rinse

The water intake is increased in the wash and rinse stages and an extra rinse is carried out.

## Gentle action

Activating gentle action reduces the drum action and is suitable for washing slightly soiled items more gently. It should be activated for garments with a single bar under the care label and for articles which feel too hard after they have been dried.

Gentle action can be activated for the *Cottons* and the *Minimum iron* programmes.

The washing machine is delivered with the Gentle action setting deactivated.

## Suds cooling

When this is activated, additional water flows into the drum at the end of the main wash to cool the suds down. Hot suds can damage plastic drainage pipes.

Suds cooling takes place when temperatures of 90°C and 75°C are selected.

Suds cooling should be activated:

- to prevent the danger of scalding if the drain hose is hooked over the edge of a sink or basin.
- where the drainage pipes do not comply with DIN 1986.

The machine is delivered with Suds cooling deactivated.

# Programmable functions

## Code

A code can be used to lock the electronics on the washing machine to prevent it being used without your knowledge.

When the code has been activated, you have to enter a code after switching the washing machine on. Otherwise the washing machine cannot be operated.

Code ...

- Press the *Start/Stop* button.

### To activate the code

Activate

- Press the *Start/Stop* button.

The display will now request that a code is entered.

### To enter the code

The code is **125** and cannot be altered.

0 \_ \_

- Turn the programme selector until the first number appears in the display.
- Confirm your selection of the number by pressing the *Start/Stop* button.
- Repeat the process until all three numbers have been entered.

1 2 5

- Press the *Start/Stop* button.

The following will appear in the display:

Code activated

Once the machine is switched off, it can only be used again if the code is entered.

### To use the washing machine when the code is activated

When the machine is switched on again, the display will request the code.

- Enter code 125 as described above and confirm the entry.

The washing machine is now unlocked and ready for use.

### To deactivate the code

Make sure the washing machine is switched off and the door is properly closed. Press the *Start/Stop* button and keep it pressed in whilst you press the *I-On/O-Off* button in.

As soon as . . .

0 \_ \_

. . . appears in the display, release the *Start/Stop* button.

- Now enter the code and press the *Start/Stop* button.

Select *Code* and confirm *Deactivate*.



# Programmable functions

---

## Temperature unit

You can choose for the temperature to be displayed in °C/*Celsius* or °F/*Fahrenheit*.

The machine is delivered with °C/*Celsius* as the default setting.

## Buzzer

When the buzzer function has been activated, an audible tone sounds at the end of a programme or when Rinse hold is reached.

There are two volumes:

### Off

(the machine is delivered with this option selected as standard)

The buzzer is switched off.

### Normal

The buzzer sounds at *normal* volume at the end of a programme or when Rinse hold is reached.

### Loud

The buzzer sounds at *loud* volume at the end of a programme or when Rinse hold is reached.

## Keypad tone

An audible tone sounds each time a button is pressed.

The machine is delivered with the keypad tone deactivated.

## Brightness

There are ten different display brightness settings.

The bar chart shows you the setting.

The machine is delivered with the display brightness on setting 5.

This will change as soon as a different setting is chosen.

## Contrast

There are ten different display contrast settings.

The bar chart shows you the setting.

The machine is delivered with the display contrast on setting 5.

This will change as soon as a different setting is chosen.

# Programmable functions

---

## Standby display

To save energy, the display goes out after 10 minutes and the indicator light for the *Start/Stop* button will start flashing slowly.

There are two options:

### On

Standby is activated:

- if a programme is not selected within 10 minutes of the machine being switched on.
- after a programme has started.
- at the end of a programme.

### Not in current prog.

(the machine is delivered with this option selected)

Standby is activated:

- if a programme is not selected within 10 minutes of the machine being switched on.
- at the end of a programme.

Pressing one of the buttons switches the display back on again.

## Memory

If an Extra option has been selected for a programme, or the recommended temperature or spin speed has been altered, the machine will store the changes in memory at the start of a programme.

When this programme is chosen again, these settings will appear in the display.

The machine is delivered with the memory function deactivated.

## Anti-crease

Anti-crease helps prevent creasing if laundry is not normally removed immediately after the end of a programme.

The drum will turn at intervals for up to 30 minutes after the programme has finished.

The door can be opened and laundry removed at any time during the anti-crease phase.

### On

Anti-crease is activated.

### Off

(the machine is delivered with this option selected)

Anti-crease is deactivated.

Miele washing machines offer perfect care for your laundry and feature a wide range of special programmes designed to suit the fabric being washed. And now Miele have developed a range of specialist CareCollection detergents and conditioning products to offer you a complete package for cleaning and caring for your laundry.

The Miele CareCollection detergents and conditioning products are listed below. You can order these and many other useful products via the internet at:



All the products can also be ordered from Miele (see back cover for contact details).

## CareCollection

### Miele specialist detergents

#### Fabric softener

Miele's fabric softener will give your laundry a fresh, natural fragrance. It makes garments soft to handle and prevents static build-up during tumble drying.

#### For delicates

This liquid detergent is ideal for the gentle treatment of delicate fabrics, such as wool and silk. Its special formulation cleans effectively at temperatures as low as 20°C, while protecting the colour of your delicate garments.

#### UltraWhite

This multi-purpose powder detergent has excellent stain removal properties and is suitable for white and light coloured laundry as well as heavily soiled coloured items.

#### Sensitive skin

Miele's sensitive skin laundry detergent has been specifically tested and formulated for consumers with sensitive skin and allergies. This detergent is powerful and deep cleaning for optimal stain removal, even at 40°C, leaving your laundry with a fresh, mild fragrance.

# Optional accessories

---

## UltraColor

Available in a liquid and powder form, this detergent is particularly suitable for cleaning coloured and dark garments. The special formulation offers effective stain removal, even at low temperatures, while helping to prevent colours fading.

## Sportswear

The Miele sportswear detergent is designed to clean sportswear whilst taking care of the special microfibres used in these garments. It will help to neutralise and remove odours whilst protecting the colour of the fabric and preventing static build-up.

## Down Items

This special-purpose detergent contains a mild tenside and has been specially formulated to keep down-filled items supple and to give them bounce.







# Miele

## **Miele Australia Pty. Ltd.**

ABN 96 005 635 398

### **Miele Center and Head Office Melbourne:**

1 Gilbert Park Drive  
Knoxfield, VIC 3180

### **Miele Center and Office Melbourne:**

206-210 Coventry Street  
South Melbourne, VIC 3205

### **Miele Center and Office Sydney:**

3 Skyline Place  
Frenchs Forest, NSW 2086

### **Miele Center and Office Brisbane:**

39 Harvey Street North  
Eagle Farm, QLD 4009

### **Miele Center and Office Adelaide:**

83-85 Sir Donald Bradman Drive  
Hilton, SA 5033

### **Miele Center and Office Perth:**

205-207 Stirling Highway  
Claremont, WA 6010



[www.miele.com.au](http://www.miele.com.au)



[www.miele-shop.com](http://www.miele-shop.com)

## **Miele New Zealand Limited**

### **Head Office:**

Unit L, 10-20 Sylvia Park Road  
Mt Wellington, Auckland 1060

### **Miele Center Auckland:**

8 College Hill  
Freemans Bay, Auckland 1011

### **Telephone:**

0800 4 MIELE (0800 464 353)

[www.miele.co.nz](http://www.miele.co.nz)

## **Miele Global Headquarters**

### **Germany**

### **Miele & Cie. KG**

Carl-Miele-Straße 29  
33332 Gütersloh  
Federal Republic of Germany